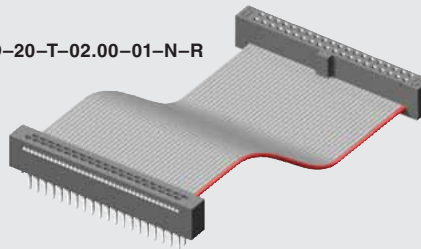
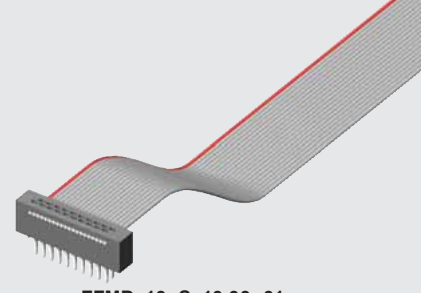




FFMD-20-T-02.00-01-N-R



FFMD-10-S-10.00-01



FFMD SERIES

(1.27 mm) .050"

# TIGER EYE™ FLAT IDC WIRE CABLES

Mates with:  
**FLE\*, SFMC\***,  
**Transfer End Option**  
 Mates with: **FTS, FTSH,**  
**EHF, SHF, ESHF**

## SPECIFICATIONS

For complete specifications see [www.samtec.com?FFMD](http://www.samtec.com?FFMD)

**Insulator Material:**  
 Black Glass Filled Polyester  
**Terminal:**  
 Phosphor Bronze  
**Contact:**  
 BeCu (-T)  
**Plating:**  
 Sn over 50 μ" (1.27 μm) Ni  
**Wire:** 30 AWG  
**Current Rating:**  
 2.5 A per pin  
 (1 pin powered)  
**Operating Temp Range:**  
 -40 °C to +105 °C  
**Voltage Rating:**  
 215 VAC  
 304 VDC  
**RoHS Compliant:**  
 Yes

## RECOGNITIONS

For complete scope of recognitions see [www.samtec.com/quality](http://www.samtec.com/quality)



## ALSO AVAILABLE (MOQ Required)

- Other sizes
- Contact Samtec.

**\*Note:** Standard FFMD callout will not mate with FLE, SFMC. Must use gold plated callouts. (See drawing on web.)  
 When mated with a socket,  
 Wire 1 mates with Pin 2;  
 Wire 2 mates with Pin 1, etc.

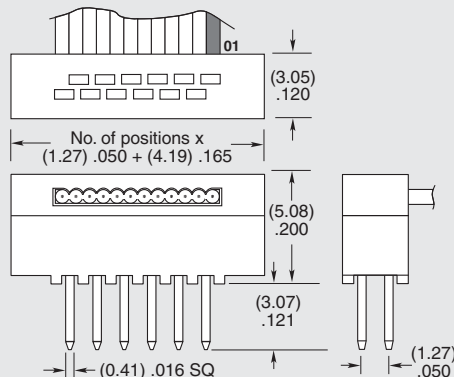
**Note:** This Series is non-standard, non-returnable.

TYPE STRIP	NO. PINS PER ROW	END OPTION	OVERALL LENGTH	01	TRANSFER OPTION	OTHER OPTION
	-04, -05, -08, -10, -13, -17, -20, -25 (Standard sizes)		-“XX.XX” = Assembled Length  Assembled Length in INCHES (±.130") 2 inches minimum		Leave blank for -S and -D End Options.  -N = Notch Polarization on socket (-T end only) (Not available with -04 position)	
		-S = Single End				
		-D = Double End				
		-T = Transfer End				
		-RW = Reverse Wiring				
		-D “XX” = Daisy Chain				
		-R = Reverse				
		-O = Outside Reverse				
		-SR = Strain Relief				
		-M = Middle Reverse				

**RUGGEDIZED BY SAMTEC**

• Strain relief option

## FFMD = Terminal Strip



## X-ON Electronics

Largest Supplier of Electrical and Electronic Components

*Click to view similar products for [D-Sub Micro-D Connectors](#) category:*

*Click to view products by [Samtec](#) manufacturer:*

Other Similar products are found below :

[M243082311F](#) [M2430834F](#) [M24308/4-6F](#) [65-1920-15](#) [M83513/01-HN](#) [M83513/03-A10N](#) [M83513/03-B14C](#) [M83513/03-D09C](#) [M83513/03-D11N](#) [M83513/03-G02N](#) [M83513/03-G05N](#) [M83513/03-G08C](#) [M83513/03-G09N](#) [M83513/03-G12N](#) [M83513/03-H13N](#) [M83513/04-E15N](#) [M83513/04-G04C](#) [M83513/10-E01NP](#) [M83513/13-B01NP](#) [M83513/13-C01NN](#) [M83513/16-A01CP](#) [M83513/22-D01NP](#) [M83513/25-B01NP](#) [6R2004A30F015](#) [6R4006A28A120](#) [703006A13F060](#) [704002A03F200](#) [705001A13F120](#) [7-1532020-5](#) [748567-1-P](#) [MDB1-31SH003](#) [MDM-15PBS-L58](#) [MDM-15PCBRM7T](#) [MDM-15PH003B-A174](#) [75-068624-59S](#) [MDM-15PH034B](#) [MDM-15SH001L](#) [MDM-15SH004B](#) [MDM-21PH003K](#) [MDM-25PH003B-A174](#) [MDM-25PHW01F-A174](#) [MDM-37PH006L-A174](#) [MDM-37PH048M5-A174](#) [MDM-37SCBRP-A174](#) [MDM-51PBS-L56](#) [MDM-51PSF](#) [MDM-51SH003M7](#) [MDM-51SSM7-A174](#) [MDM-9PBSP-L58](#) [MDM-9PH003M7](#)