

# Waterproof Dual Color Illuminated Rocker

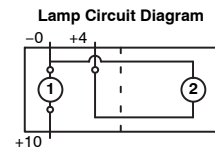
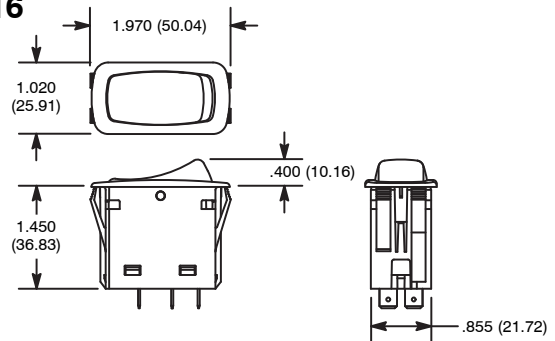


## Features

- IP67 Certified
- Single and Double Pole
- Dual Color Types
- .250" Quick Connect Terminals



S116



NTE Type No.	Circuitry	Action			Actuator			Diag No.	
					Material	Color			Vltg
			Neon	LED					
NEW 54-150	SPST	ON	NONE	OFF	Nylon	-	Amber/Green	DC	S116
NEW 54-151	SPST	(ON)	NONE	OFF	Nylon	-	Amber/Green	DC	S116
NEW 54-153	SPDT	ON	OFF	ON	Nylon	-	Amber/Green	DC	S116
NEW 54-154	SPDT	ON	OFF	(ON)	Nylon	-	Amber/Green	DC	S116
NEW 54-157	DPDT	ON	NONE	ON	Nylon	-	Amber/Green	DC	S116
NEW 54-158	DPDT	(ON)	OFF	(ON)	Nylon	-	Amber/Green	DC	S116

SPECIAL NOTE: ( ) = Momentary Function

## Specifications

- Current Rating:** 20A 12VDC
- Lamp Voltage:** 12V LED (DC)
- Insulation Resistance:** 50 Megohms
- Dielectric Strength:**
  - Between Pole to Pole: 1250 VRMS
  - Between Live Parts & Accessible Surfaces: 3750 VRMS
- Temperature Rating:** -40° to +185°F (-40° to +85°C)
- Electrical Life:** 100,000 cycles maintained  
50,000 cycles momentary at rated voltage & current
- Mechanical Life:** 250,000 cycles min.
- Terminal Type:** .250" Tab Q.C.
- Mounting Hole:** 1.734 (44.04) x .867 (22.02)

# Round Hole Illuminated Rocker, Square Bezel

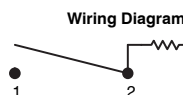
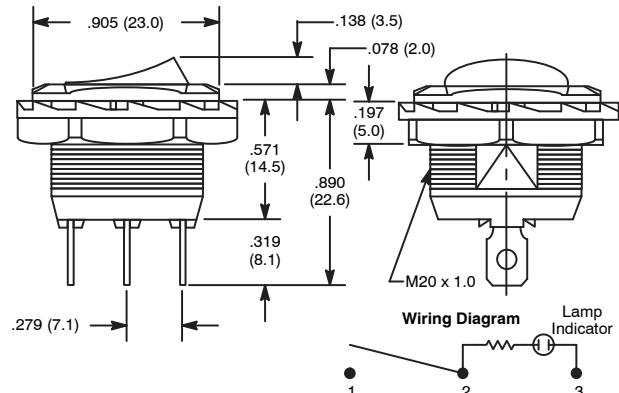


## Features

- Illuminated LED Indicator



S93



NTE Type No.	Circuitry	Action			Actuator			Diag No.	
					Material	Color			Vltg
			Neon	LED					
NEW 54-645	SPST	ON	NONE	OFF	Nylon	-	Red	DC	S93
NEW 54-645-A	SPST	ON	NONE	OFF	Nylon	-	Amber	DC	S93
NEW 54-645-G	SPST	ON	NONE	OFF	Nylon	-	Green	DC	S93
NEW 54-645-B	SPST	ON	NONE	OFF	Nylon	-	Blue	DC	S93

## Specifications

- Current Rating:** 20A 12VDC
- Lamp Voltage:** 2V @ 20mA LED (DC)
- Insulation Resistance:** 100 Megohms (min.) at 500VDC
- Dielectric Strength:** 1500V RMS (min.)
- Temperature Rating:** -13° to +185°F (-25° to +85°C)
- Electrical Life:** 6000 cycles (min.)
- Mechanical Life:** 100,000 cycles (min.)
- Terminal Type:** .187" Tab Q.C.
- Mounting Hole:** .795 (20.2)

## X-ON Electronics

Largest Supplier of Electrical and Electronic Components

*Click to view similar products for [Rocker Switches](#) category:*

*Click to view products by [NTE](#) manufacturer:*

Other Similar products are found below :

[VKD2GHNB-00000-000](#) [VSD2GNNB-00000-000](#) [6-1571986-5](#) [6-1571986-9](#) [632422-4B-KD](#) [7036WWCDBX653+U622](#) [8055K52Z7V](#)  
[8138K20E6M50](#) [FMC18A2200002](#) [84206L](#) [84312LX](#) [PREDD4-07F-BB0FW](#) [PREDD5-07F-BB0GW](#) [PRFDD1-16F-BB000](#) [PRFDD3-16F-](#)  
[BB000](#) [1-1634201-0](#) [999-16702-001](#) [A101J2ZQ004](#) [A101J4ZQ004](#) [A101J51CB0004](#) [A107J51ZQ0004](#) [A201J1AQ004](#) [A201J1AV2Q004](#)  
[A201J3ZB004](#) [A201J50ZQ004](#) [A203J51ZQ0004](#) [A226L11YZQ](#) [A22L11A](#) [A435S1YZQ](#) [H8500XBBBBL-A](#) [H8653VBBG2577W](#)  
[HB130CHNWWNAAC](#) [1251.0303](#) [AE205J60V3B004](#) [RH110C2NBB](#) [1352.0107](#) [1363.0201](#) [AML25GBF2AA03GR](#) [1571099-3](#) [1571987-4](#)  
[1571987-5](#) [1571989-7](#) [B123J77V7B2](#) [B226J50W4Q22P](#) [B433J37ZQ22M](#) [160212E](#) [1801.1164](#) [1831.1102](#) [1833.3402](#) [1837.1118](#)