

**Overview**

KEMET's MS/MD Series of aluminum electrolytic capacitors are designed for intermittent duty only and capable of withstanding the AC voltage applied to the motor during starting. The capacitor construction is comprised of either double anode or O-style (double anode and floating cathode) windings, which are housed in a molded plastic case. KEMET's MD Series is VDE approved to IEC 60252-2 for the defined ratings.

**Applications**

KEMET's MS/MD Series is a range of aluminium electrolytic capacitors specifically designed for AC operation which helps to start the motor by providing a leading current to the auxiliary winding. The capacitor is not permanently connected to the winding of the motor and is usually switched off automatically after starting.

**Benefits**

- Intermittent AC motor starting
- 6.3 mm double amp tags (quick connect types)
- VDE approved to IEC 60252-2



**Part Number System**

080	MS	12	AA	M	A	1	STD
Capacitance Code (µF)	Rating	Voltage (VAC)	Size Code	Manufacturing Style	Capacitance Tolerance	Terminal Code	Version
Example: 080 = 80 µF 120 = 120 µF	MS = Motor start single rating MD = Motor start dual rating	12 = 120 22 = 220 26 = 260	See Dimension Table	M = Molded case	A = -0% +25% K = ±10%	1 = Double amp tag	STD = Standard

## Performance Characteristics

Item	Performance Characteristics	
Series	MD (Dual voltage rating)	MS (Single voltage rating)
Capacitance Range	25 – 750 $\mu$ F	25 – 750 $\mu$ F
Rated Voltage	120 – 360 VAC 50 Hz	120 – 260 VAC 50 Hz
Temperature Range	-20°C to +70°C	-20°C to +60°C
Capacitance Tolerance	$\pm$ 10%, -0% +25%	$\pm$ 10%, -0% +25%
Operational Lifetime	500 hours at +70°C, 1.1 $V_R$ (specified duty cycle)	500 hours at +60°C, 1.1 $V_R$ (specified duty cycle)
Shelf Life	2 years	2 years
Standards	IEC 60252-2: AC Motor Capacitors - Part 2: Motor Start Capacitors	

## VDE Approvals to IEC 60252-2

Rated Voltage	220 V	260 V
Capacitor Type	MD	MD
Capacitance ( $\mu$ F)	(Note 1)	(Note 2)
30	AA	
40	AA AB	AB
50	AA AB	AB
60	AA AB	AB
70	AB	AB
80	AB AC	AB
90	AC	AC
100	AC	AC
120	AC	AC
125	AC	AC

### Note 1: Duty cycles approved

220 V @  $SD = 3$  &  $ED = 1.7\%$

300 V @  $SD = 1$  &  $ED = 0.1\%$

### Note 2: Duty cycles approved

260 V @  $SD = 3$  &  $ED = 1.7\%$  (40 – 125  $\mu$ F)

330 v @  $SD = 1$  &  $ED = 0.55\%$  (40 – 125  $\mu$ F)

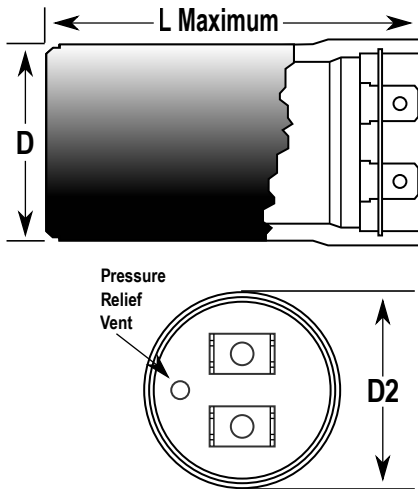
360 v @  $SD = 1$  &  $ED = 0.33\%$  (90 – 125  $\mu$ F)

### General approval notes:

• Valid for both  $\pm$ 10% and -0 +25% tolerance.

• Valid for intermediate capacitance Values in increments of 1  $\mu$ F between 30  $\mu$ F and 100  $\mu$ F, and in increments of 5  $\mu$ F between 100  $\mu$ F and 125  $\mu$ F.

## Dimensions – Millimeters



Size Code	Dimensions in mm		
	D	D2	L
	±0.5	±0.5	Maximum
AA	38	39	75
AB	38	39	90
AC	38	39	116

### Power Factor

The tangent of the loss angle for motor start capacitors shall not exceed 0.1 and shall be calculated as follows:

$$\tan \delta = \frac{W}{V \times I} = \frac{\text{true watts}}{\text{apparent watts}}$$

### Duty Cycle

The standard rating is 1.67% or 1/60th full time and corresponds to a maximum duty of 20 starts, each of three seconds duration per hour. It is expressed as 3/1.67 (a 3 minute cycle with 1.67% duration during which the capacitor may be energized). If the same capacitor is to be used for a duty cycle of 60 starts per hour the cycle duration will be 1 minute. The operation time per cycle will then have to be reduced to 1.67% of 1 minute (i.e. 1 second). Alternative duty cycles are available on request.

### Presence of Run Capacitor

When the motor is fitted with both starting and run capacitors, consideration should be given to fitting of the appropriate discharge resistor to the starting capacitor. This is to protect the run capacitor from damage through discharge of the starting capacitor.

### Container Form

Cylindrical mouldings, meeting creepage and clearance distances, according to IEC 60335–1 and flammability ratings according to UL94–V1.

## Discharge Resistors

A discharge resistor may be fitted to a motor start capacitor to prevent electrical overstress of the capacitor and/or for safety reasons. In accordance with IEC 60252, the resistor value should be such that it reduces the voltage on the capacitor, from the line voltage to less than 50 V within 60 seconds. The resistor value may be approximated as follows:  $R(\text{kOhms}) = T/\text{Rated Capacitance } (\mu\text{F})$

DC Voltage	T
120	50000
220	32000
260	30000
280	28000
330	26000

Resistor Value (kOhms)	Wattage
5.6	2W
15	2W
33	0.5W
56	1W
82	2W
100	1W

## Environmental Compliance

As an environmentally conscious company, KEMET is working continuously with improvements concerning the environmental effects of both our capacitors and their production. In Europe (RoHS Directive) and in some other geographical areas like China, legislation has been put in place to prevent the use of some hazardous materials, such as lead (Pb), in electronic equipment. All products in this catalog are produced to help our customers' obligations to guarantee their products and fulfill these legislative requirements. The only material of concern in our products has been lead (Pb), which has been removed from all designs to fulfill the requirement of containing less than 0.1% of lead in any homogeneous material. KEMET will closely follow any changes in legislation world wide and makes any necessary changes in its products, whenever needed.

Some customer segments such as medical, military and automotive electronics may still require the use of lead in electrode coatings. To clarify the situation and distinguish products from each other, a special symbol is used on the packaging labels for RoHS compatible capacitors.

Because of customer requirements, there may appear additional markings such as LF = Lead Free or LFW = Lead Free Wires on the label.



RoHS Compliant

**Table 1A – Ratings & Part Number Reference**

VAC	Rated Capacitance		Capacitance Tolerance	Case Size D x L (mm)	Duty Cycle		Part Number	Approval	
	Minimum (µF)	Maximum (µF)			120 V <sub>RMS</sub>	150 V <sub>RMS</sub>		VDE	CQC
120	25	325	-0/+25%	38 x 75	1.67%		(1)MS12AAMA1STD	-	-
120	25	360	±10%	38 x 75	1.67%		(1)MS12AAMK1STD	-	-
120	85	460	-0/+25%	38 x 90	1.67%		(1)MS12ABMA1STD	-	-
120	90	510	±10%	38 x 90	1.67%		(1)MS12ABMK1STD	-	-
120	120	670	-0/+25%	38 x 116	1.67%		(1)MS12ACMA1STD	-	-
120	130	750	±10%	38 x 116	1.67%		(1)MS12ACMK1STD	-	-
120	25	325	-0/+25%	38 x 75	1.67%	0.55%	(1)MD12AAMA1STD	-	x
120	25	360	±10%	38 x 75	1.67%	0.55%	(1)MD12AAMK1STD	-	x
120	85	460	-0/+25%	38 x 90	1.67%	0.55%	(1)MD12ABMA1STD	-	x
120	90	510	±10%	38 x 90	1.67%	0.55%	(1)MD12ABMK1STD	-	x
120	120	670	-0/+25%	38 x 116	1.67%	0.55%	(1)MD12ACMA1STD	-	x
120	130	750	±10%	38 x 116	1.67%	0.55%	(1)MD12ACMK1STD	-	x
VAC	Rated Capacitance		Capacitance Tolerance	Case Size	Duty Cycle		Part Number	VDE	CQC

(1) Insert capacitance code.

**Table 1B – Ratings & Part Number Reference**

VAC	Rated Capacitance		Capacitance Tolerance	Case Size D x L (mm)	Duty Cycle		Part Number	Approval	
	Minimum (µF)	Maximum (µF)			220 V <sub>RMS</sub>	300 V <sub>RMS</sub>		VDE	CQC
220	30	65	-0/+25%	38 x 75	1.67%		(1)MS22AAMA1STD	-	-
220	30	70	±10%	38 x 75	1.67%		(1)MS22AAMK1STD	-	-
220	40	90	-0/+25%	38 x 90	1.67%		(1)MS22ABMA1STD	-	-
220	40	100	±10%	38 x 90	1.67%		(1)MS22ABMK1STD	-	-
220	55	130	-0/+25%	38 x 116	1.67%		(1)MS22ACMA1STD	-	-
220	65	150	±10%	38 x 116	1.67%		(1)MS22ACMK1STD	-	-
220	30	60	-0/+25%	38 x 75	1.67%	0.10%	(1)MD22AAMA1STD	x	x
220	30	60	±10%	38 x 75	1.67%	0.10%	(1)MD22AAMK1STD	x	x
220	40	80	-0/+25%	38 x 90	1.67%	0.10%	(1)MD22ABMA1STD	x	x
220	40	80	±10%	38 x 90	1.67%	0.10%	(1)MD22ABMK1STD	x	x
220	80	125	-0/+25%	38 x 116	1.67%	0.10%	(1)MD22ACMA1STD	x	x
220	80	125	±10%	38 x 116	1.67%	0.10%	(1)MD22ACMK1STD	x	x
VAC	Rated Capacitance		Capacitance Tolerance	Case Size	Duty Cycle		Part Number	VDE	CQC

(1) Insert capacitance code.

**Table 1C – Ratings & Part Number Reference**

VAC	Rated Capacitance		Capacitance Tolerance	Case Size D x L (mm)	Duty Cycle			Part Number	Approval	
	Minimum (µF)	Maximum (µF)			260 V <sub>RMS</sub>	330 V <sub>RMS</sub>	360 V <sub>RMS</sub>		VDE	CQC
260	25	55	-0/+25%	38 x 75	1.67%			(1)MS26AAMA1STD	-	-
260	25	60	±10%	38 x 75	1.67%			(1)MS26AAMK1STD	-	-
260	35	75	-0/+25%	38 x 90	1.67%			(1)MS26ABMA1STD	-	-
260	35	85	±10%	38 x 90	1.67%			(1)MS26ABMK1STD	-	-
260	50	110	-0/+25%	38 x 116	1.67%			(1)MS26ACMA1STD	-	-
260	55	125	±10%	38 x 116	1.67%			(1)MS26ACMK1STD	-	-
260	25	50	-0/+25%	38 x 75	1.67%	0.55%		(1)MD26AAMA1STD	x	x
260	25	55	±10%	38 x 75	1.67%	0.55%		(1)MD26AAMK1STD	x	x
260	40	80	-0/+25%	38 x 90	1.67%	0.55%		(1)MD26ABMA1STD	x	x
260	40	80	±10%	38 x 90	1.67%	0.55%		(1)MD26ABMK1STD	x	x
260	90	125	-0/+25%	38 x 116	1.67%	0.55%	0.33%	(1)MD26ACMA1STD	x	x
260	90	125	±10%	38 x 116	1.67%	0.55%	0.33%	(1)MD26ACMK1STD	x	x
VAC	Rated Capacitance		Capacitance Tolerance	Case Size	Duty Cycle			Part Number	VDE	CQC

(1) Insert capacitance code.

## Print Detail

- KEMET Logo
- Rated capacitance
- Capacitance tolerance
- Rated voltage
- Climatic Category
- Article code
- Date of manufacture & Batch No.

## **KEMET Corporation World Headquarters**

2835 KEMET Way  
Simpsonville, SC 29681

Mailing Address:  
P.O. Box 5928  
Greenville, SC 29606

www.kemet.com  
Tel: 864-963-6300  
Fax: 864-963-6521

**Corporate Offices**  
Fort Lauderdale, FL  
Tel: 954-766-2800

## **North America**

**Southeast**  
Lake Mary, FL  
Tel: 407-855-8886

**Northeast**  
Wilmington, MA  
Tel: 978-658-1663

**Central**  
Novi, MI  
Tel: 248-306-9353

**West**  
Milpitas, CA  
Tel: 408-433-9950

**Mexico**  
Guadalajara, Jalisco  
Tel: 52-33-3123-2141

## **Europe**

**Southern Europe**  
Paris, France  
Tel: 33-1-4646-1006

Sasso Marconi, Italy  
Tel: 39-051-939111

**Central Europe**  
Landsberg, Germany  
Tel: 49-8191-3350800

Kamen, Germany  
Tel: 49-2307-438110

**Northern Europe**  
Bishop's Stortford, United Kingdom  
Tel: 44-1279-460122

Espoo, Finland  
Tel: 358-9-5406-5000

## **Asia**

**Northeast Asia**  
Hong Kong  
Tel: 852-2305-1168

Shenzhen, China  
Tel: 86-755-2518-1306

Beijing, China  
Tel: 86-10-5829-1711

Shanghai, China  
Tel: 86-21-6447-0707

Taipei, Taiwan  
Tel: 886-2-27528585

**Southeast Asia**  
Singapore  
Tel: 65-6586-1900

Penang, Malaysia  
Tel: 60-4-6430200

Bangalore, India  
Tel: 91-806-53-76817

*Note: KEMET reserves the right to modify minor details of internal and external construction at any time in the interest of product improvement. KEMET does not assume any responsibility for infringement that might result from the use of KEMET Capacitors in potential circuit designs. KEMET is a registered trademark of KEMET Electronics Corporation.*

## Disclaimer

All product specifications, statements, information and data (collectively, the "Information") in this datasheet are subject to change. The customer is responsible for checking and verifying the extent to which the Information contained in this publication is applicable to an order at the time the order is placed.

All Information given herein is believed to be accurate and reliable, but it is presented without guarantee, warranty, or responsibility of any kind, expressed or implied.

Statements of suitability for certain applications are based on KEMET Electronics Corporation's ("KEMET") knowledge of typical operating conditions for such applications, but are not intended to constitute – and KEMET specifically disclaims – any warranty concerning suitability for a specific customer application or use. The Information is intended for use only by customers who have the requisite experience and capability to determine the correct products for their application. Any technical advice inferred from this Information or otherwise provided by KEMET with reference to the use of KEMET's products is given gratis, and KEMET assumes no obligation or liability for the advice given or results obtained.

Although KEMET designs and manufactures its products to the most stringent quality and safety standards, given the current state of the art, isolated component failures may still occur. Accordingly, customer applications which require a high degree of reliability or safety should employ suitable designs or other safeguards (such as installation of protective circuitry or redundancies) in order to ensure that the failure of an electrical component does not result in a risk of personal injury or property damage.

Although all product-related warnings, cautions and notes must be observed, the customer should not assume that all safety measures are indicated or that other measures may not be required.



## X-ON Electronics

Largest Supplier of Electrical and Electronic Components

*Click to view similar products for [Aluminum Electrolytic Capacitors - Leaded](#) category:*

*Click to view products by [Kemet](#) manufacturer:*

Other Similar products are found below :

[LXY50VB4.7M-5X11](#) [MAL203125221E3](#) [MAL204216159E3](#) [ESMG101ETD100MF11S](#) [RBC-25V-10UF-4X7](#) [RE3-35V222MJ6#](#) [RFO-100V471MJ7P#](#) [B41041A2687M8](#) [B41041A7226M8](#) [B41044A7157M6](#) [EKRG250ELL100MD07D](#) [EKXG201EC3101ML20S](#)  
[EKXG351ETD6R8MJ16S](#) [EKZM160ETD471MHB5D](#) [EPA-201ELL151MM25S](#) [NCD681K10KVY5PF](#) [NRLF103M25V35X20F](#)  
[KM4700/16](#) [KME50VB100M-8X11.5](#) [RXJ222M1EBK-1625](#) [SG220M1CSA-0407](#) [ES5107M016AE1DA](#) [ESX472M16B](#) [MAL211929479E3](#)  
[40D506F050DF5A](#) [TE1202E](#) [36DA273F050BB2A](#) [KME25VB100M-6.3X11](#) [511D336M250EK5D](#) [511D337M035CG4D](#)  
[515D477M035CG8PE3](#) [052687X](#) [EKMA500ELL4R7ME07D](#) [EKRG100ETC221MF09D](#) [NRE-S560M16V6.3X7TBSTF](#)  
[ERZA630VHN182UP54N](#) [MAL214099813E3](#) [MAL211990518E3](#) [MAL204281229E3](#) [NEV680M35EF](#) [686KXM050M](#) [ERS1VM222L30OT](#)  
[EGW2GM150W16OT](#) [EGS2GM6R8G12OC](#) [EHS2GM220W20OT](#) [ERF1VM222L30OT](#) [ERF1KM151G20OT](#) [EKZE500ELL101MHB5D](#)  
[EKMM251VSN221MP25S](#) [RGA221M1HBK-1016G](#)