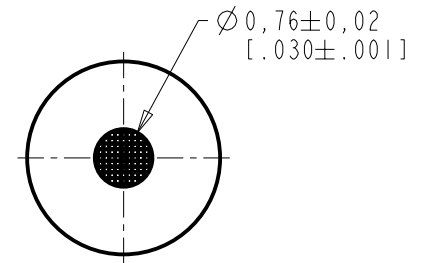
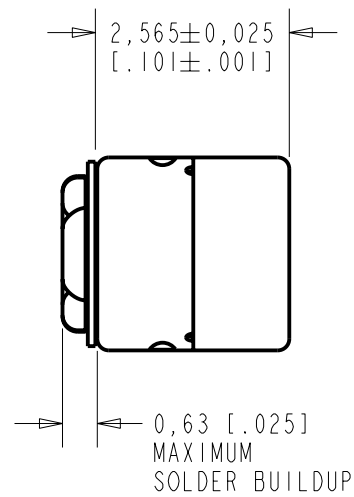
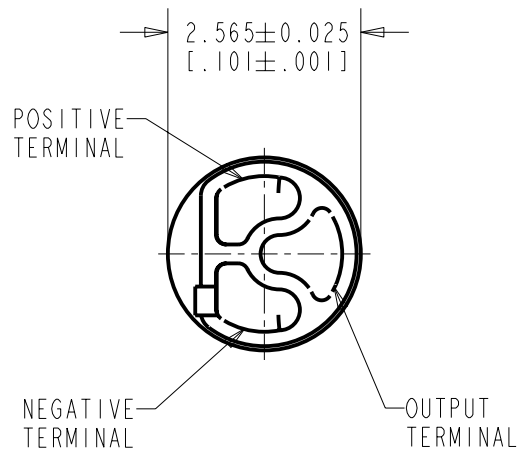


FC-23329-C05
SHT 1.1



DIMENSIONS IN MILLIMETERS [INCHES]

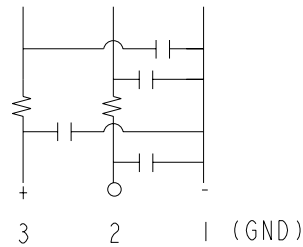
KNOWLES ELECTRONICS
ITASCA, ILLINOIS U.S.A.

Revision	C.O. #	Implementation Date	RELEASE LEVEL	REVISION
C	MI0101057	3-15-06	Released	C
B	MI0100864	11-18-05		
A	MI0100656	6-23-05		
SCALE: 10:1			DR. BY: DMS	DATE: 6-24-05
DO NOT SCALE DRAWING			CK. BY: GJP	DATE: 6-24-05
TITLE: MICROPHONE		FC-23329-C05	APP. BY: GJP	DATE: 6-24-05
OUTLINE DRAWING		SHT 1.1		

- NOTES: 1. CASE CONNECTED TO NEGATIVE TERMINAL.
 2. MICROPHONE TO BE FUNCTIONAL WITH 1.6 VDC SUPPLY.
 3. TYPICAL SENSITIVITY TO HUMIDITY AT 1000Hz IS 0.06 dB/%RH
 4. SENSITIVITY AND NOISE VALUES INDICATED ON THIS SPECIFICATION ARE VALID AT 50% HUMIDITY.

DC SUPPLY	AMPLIFIER CURRENT DRAIN	SENSITIVITY CHANGE ON REDUCING SUPPLY TO 0.9VDC	"A" WEIGHTED NOISE (1 kHz EQUIV. SPL)	OUTPUT IMPEDANCE OHMS			CAPACITANCE ±50%	
				MIN.	NOM.	MAX.	1-2	1-3
1.3V	50 µA MAX.	3 dB MAX.	30.0 dB MAX.	2800	4400	6800	13 pF	13 pF

CAPACITANCE PROBE POINTS



Revision	C.O. #	Implementation Date	RELEASE LEVEL	REVISION
C	MI0101057	3-15-06	Released	C
B	MI0100864	11-18-05		
A	MI0100656	6-23-05		

KNOWLES ELECTRONICS
 ITASCA, ILLINOIS U.S.A.

WHEN TEST LIMITS ARE USED TO ESTABLISH INCOMING INSPECTION ACCEPTANCE/REJECTION CRITERIA, CORRELATION OF TEST EQUIPMENT WITH KNOWLES IS ALSO REQUIRED FOR ELIMINATION OF EQUIPMENT AND TEST METHOD VARIATION

DR. BY DATE
 DMS 6-24-05

TITLE: **MICROPHONE**
 PERFORMANCE SPECIFICATION

FG-23329-C05
 SHT 2.1

CK. BY DATE
 GJP 6-24-05
 APP. BY DATE
 GJP 6-24-05

X-ON Electronics

Largest Supplier of Electrical and Electronic Components

Click to view similar products for [knowles](#) manufacturer:

Other Similar products are found below :

[SR-31843-000](#) [FG-23652-D65](#) [BK-28562-000](#) [ED-26821-000](#) [SPH1611LR5H-1](#) [FG-23453-C05](#) [KAS-700-0145](#) [UL-0603-KITSET34-AB](#)
[AUTO-AECQ-HV-KIT45](#) [8131M5000274MXC42](#) [KAS-700-0152](#) [KAS-700-0151](#) [SR-32453-000](#) [2900-253091](#) [EH-27479-000](#) [FED-30048-](#)
[I04](#) [SBSGC5000102MXB](#) [FG-23329-C05](#) [5100-253444](#) [KAS-700-0148](#) [KAS-700-0150](#) [BK-21613-000](#) [BF-3163-000](#) [GU-32829-000](#) [2800-](#)
[253325](#) [1812Y1K00103KST](#) [FED-30027-I24](#) [VFG-30747-000](#) [KAS-700-0137](#) [5100-253441](#) [FED-27926-I04](#) [BF-3034-000](#) [WBFK-30000-](#)
[000](#) [SBSMC0500474MXB](#) [KAS-700-0146](#) [CI-30050-000](#) [TO38-30702-B20](#) [BK-21610-000](#) [FB-FO-23225-000](#) [EH-27233-000](#) [EK-23024-](#)
[000](#) [BK-26824-000](#) [EM-24446-C36](#) [KAS-33100-0004](#) [SPH0642HT5H-1](#) [EC-27817-000](#) [ED-27305-000](#) [GV-32830-000](#)
[1812Y2K00472KXT](#) [2800-253788](#)