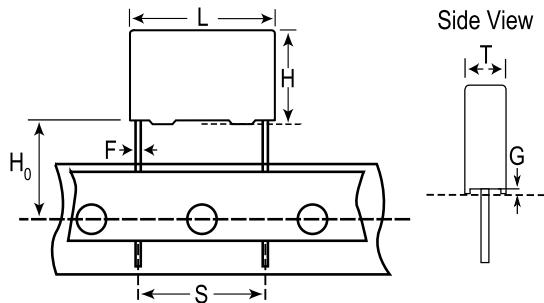


Film, Metallized PPS, Commercial Grade, KEMET, SMR/F211, 0.047 uF, 10%, 63 V, 125C, Lead Spacing = 5mm



| General Information   |  |
|-----------------------|--|
| <b>Dielectric:</b>    | Metallized PPS   |
| <b>Style:</b>         | Radial   |
| <b>Supplier:</b>      | KEMET  |
| <b>Series:</b>        | SMR/F211   |
| <b>RoHS:</b>          | Yes  |
| <b>Lead:</b>          | Wire Leads   |
| <b>Miscellaneous:</b> | The rated voltage decreases 2%/C between +125C and +150C |
| <b>Notes:</b>         | Case Size = JF   |

| Dimensions           |                 |
|----------------------|-----------------|
| <b>L</b>             | 7.2mm MAX       |
| <b>H</b>             | 6.5mm MAX       |
| <b>T</b>             | 2.5mm MAX       |
| <b>S</b>             | 5mm +/-0.4mm    |
| <b>H<sub>0</sub></b> | 18.5mm +/-0.5mm |
| <b>F</b>             | 0.5mm +/-0.05mm |
| <b>G</b>             | 0.5mm NOM       |

| Specifications                |                                      |
|-------------------------------|--------------------------------------|
| <b>Capacitance:</b>           | 0.047 uF                             |
| <b>Capacitance Tolerance:</b> | 10%                                  |
| <b>Voltage DC:</b>            | 63 VDC                               |
| <b>Voltage AC:</b>            | 40 VAC                               |
| <b>Temperature Range:</b>     | -55/+150C                            |
| <b>Rated Temperature:</b>     | 125C                                 |
| <b>Dissipation Factor:</b>    | 0.15% 1kHz, 0.25% 10kHz, 0.6% 100kHz |
| <b>Insulation Resistance:</b> | 15 GOhms                             |
| <b>Max dVdt:</b>              | 6 V                                  |

| Packaging Specifications   |            |
|----------------------------|------------|
| <b>Packaging:</b>          | T&R, 360mm |
| <b>Packaging Quantity:</b> | 2500       |

## X-ON Electronics

Largest Supplier of Electrical and Electronic Components

*Click to view similar products for [Film Capacitors](#) category:*

*Click to view products by [Kemet](#) manufacturer:*

Other Similar products are found below :

[F339X134748MIP2T0](#) [F450KG153J250ALH0J](#) [750-1018](#) [FKP1-1500160010P15](#) [FKP1R031007D00JYSD](#) [FKP1R031507E00JYSD](#)  
[FKP1U024707E00KYSD](#) [82DC4100CK60J](#) [82EC1100DQ50K](#) [PFR5101J100J11L16.5TA18](#) [PME261JB5220KR19T0](#) [A451GK223M040A](#)  
[A561ED221M450A](#) [QXJ2E474KTPT](#) [QXL2B333KTPT](#) [R49AN347000A1K](#) [EEC2G505HQA406](#) [B25668A6676A375](#) [B25673A4282E140](#)  
[BFC233868148](#) [BFC2370GC222](#) [C3B2AD44400B20K](#) [C4ASWBU3220A3EK](#) [CB027C0473J--](#) [CB177I0184J--](#) [CB182K0184J--](#) [23PW210](#)  
[950CQW5H-F](#) [SBDC3470AA10J](#) [SCD105K122A3-22](#) [2N3155](#) [A571EH331M450A](#) [FKP1-2202KV5P15](#) [FKS3-680040010P10](#)  
[QXL2E473KTPT](#) [445450-1](#) [B25669A3996J375](#) [46KI322000M1M](#) [46KR415050M1K](#) [4BSNBX4100ZBFJ](#) [MKP383510063JKP2T0](#)  
[MKPY2-.02230020P15](#) [MKT 1813-368-015](#) [4055292001](#) [46KN410000N1K](#) [EEC2E106HQA405](#) [EEC2G205HQA402](#) [EEC2G805HQA415](#)  
[P409CP224M250AH470](#) [82EC2150DQ50K](#)