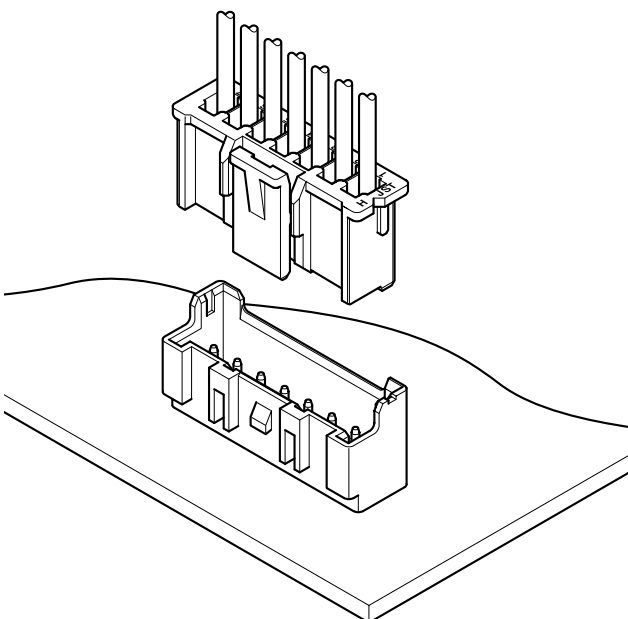
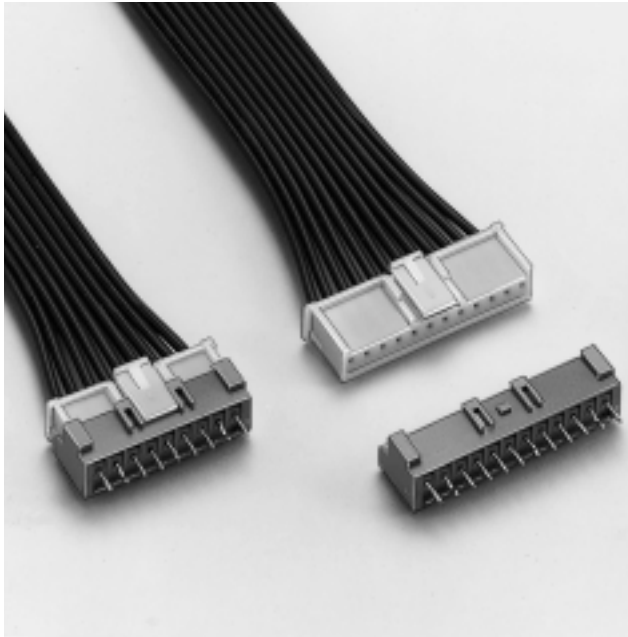


XA CONNECTOR

Disconnectable Crimp style connectors



Features

• Locking device

The housing has a locking device to securely hold the header, preventing accidental disconnection because of external forces that might result from the routing of wires during assembly process or of vibration.

• Solder crack preventive material

Header wafer is made of glass-filled PA66 nylon thus effective against the solder crack problem.

• Low insertion force

Header pins are round and reflow-treated, which provides low insertion force.

• Insertion guide mechanism

Header has housing insertion guides for easy and secure insertion.

• Applicable to automatic board mounting machine

Radial taped or stick-mounted headers are also available for automatic component insertion machine.

• Polarizing boss

Headers with polarizing bosses are also available.

Specifications

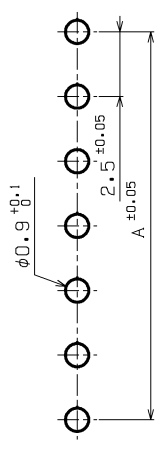
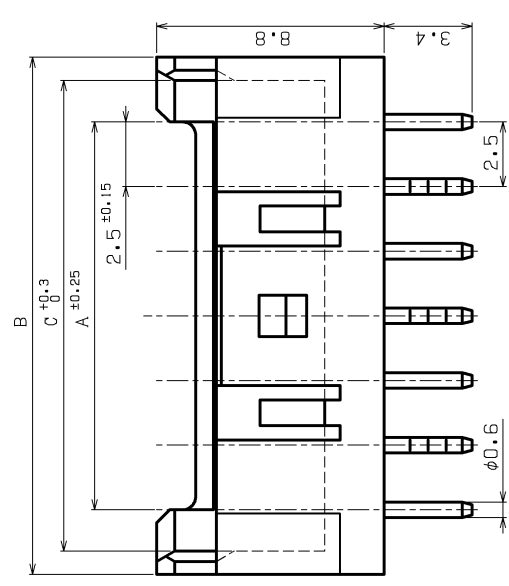
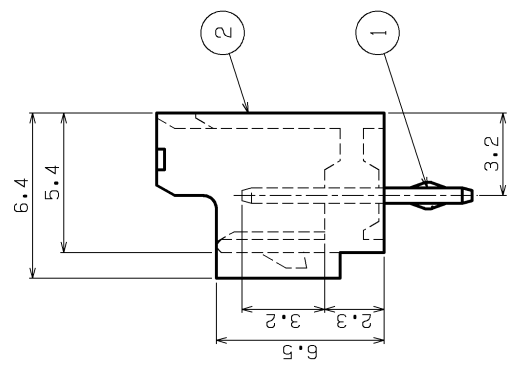
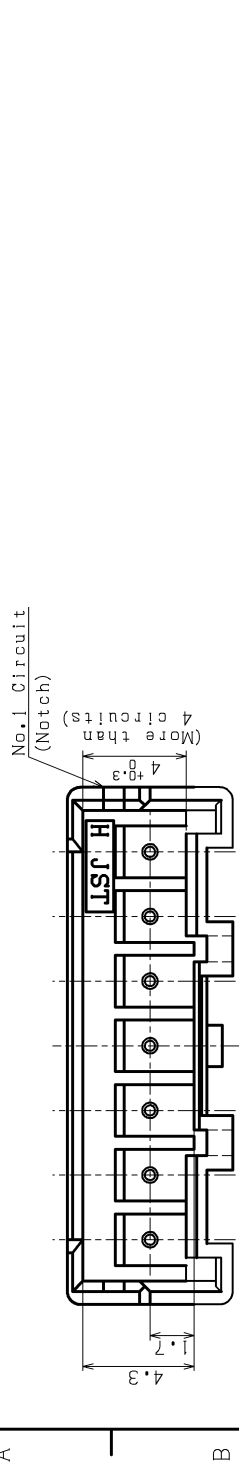
- Current rating: 3A AC DC (AWG#20)
- Voltage rating: 250V AC DC
- Temperature range: -25°C to +85°C
(including temperature rise in applying electrical current)
- Relative humidity: 0 to 80%
- Contact resistance: Initial value/10m Ω max.
After environmental testing/20m Ω max.
- Insulation resistance: 1,000M Ω min.
- Withstanding voltage: 1,000V AC/minute
- Applicable wire: AWG #28 to #20
- Applicable PC board thickness: 1.6mm (.063")
- * Contact JST if Lead-Free product is required.
- * Refer to "General Instruction and Notice when using Terminals and Connectors" at the end of this catalog.
- * Contact JST for details.

Standards

- Recognized E60389
- 1 Certified LR20812
- 2 R9851220

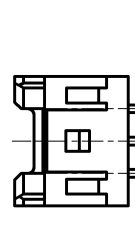
REV.	DESCRIPTION	DATE	DESIGNED
△			

NOTE
 1. Unless otherwise specified,
 tolerances are $0 \leq L \leq 5.0$: ± 0.3
 $5.0 < L$: ± 0.4

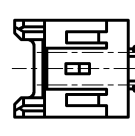


Recommendable P.C. Board layout

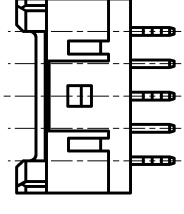
Circuits	Dimensions		
	A	B	C
2	2.5	7.5	5.7
3	5.0	10.0	8.2
4	7.5	12.5	10.7
5	10.0	15.0	13.2
6	12.5	17.5	15.7
7	15.0	20.0	18.2
8	17.5	22.5	20.7
9	20.0	25.0	23.2
10	22.5	27.5	25.7
11	25.0	30.0	28.2
12	27.5	32.5	30.7
13	30.0	35.0	33.2
14	32.5	37.5	35.7
15	35.0	40.0	38.2



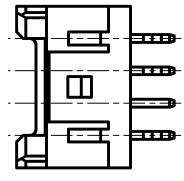
Shape of 2-circuit



Shape of 3-circuit



Shape of 4-circuit



Shape of 5-circuit

2	WAFER	66NYLON (G.F.)	UL94V-0, NATURAL
1	PIN	COPPER ALLOY	COPPER-UNDERPLATED TIN-PLATED
No.	PART NAME	MATERIAL	SURFACE FINISH
SIZE	SCALE	PROJECTION	CUSTOMER
A3	METRIC 5:1	①	DEC.21.2004
APPROVED	CHECKED	DESIGNED	DRAWN
S.K		T.S	A.M
SERIES NAME		XA CONNECTOR	
PART No.		B () B-XASK-1 (LF) (SN)	
DRAWING No.		KRD-35892	
JST J.S.T.MFG.CO., LTD			RO

X-ON Electronics

Largest Supplier of Electrical and Electronic Components

Click to view similar products for [FFC & FPC Connectors](#) category:

Click to view products by [JST manufacturer](#):

Other Similar products are found below :

[HFW11R-1STE1H1LF](#) [FH29B-100S-0.2SHW\(99\)](#) [FA5S008HP1](#) [FH29B-120S-0.2SHW\(99\)](#) [FH29B-80S-0.2SHW\(99\)](#) [FHS-16](#) [FPH-2022G](#)
[52610-1075](#) [52610-1275](#) [52610-1934](#) [XF3M\(1\)-1415-1B-R100](#) [501864-3091-TR225](#) [0525594033](#) [086210010340800](#) [086222026001800](#)
[52271-2869-CUT-TAPE](#) [62674-201121DLF](#) [62684-36210E9ALF](#) [52610-1675](#) [52746-1671-TR250](#) [10051922-2810EHLF](#) [6-520415-9](#)
[BD021-09A-A1-0350-0200-0550-LD](#) [SFV6R-1STE9HLF](#) [XF3M-2915-1B-R100](#) [1658549-1](#) [62674-221121ALF](#) [46214008010800](#)
[046298003000883](#) [151660622](#) [842-816-2630-035](#) [AYF530665TA](#) [AYF351525](#) [046296011930846+](#) [AYF352325A](#) [046254020000800+](#)
[FH19C-13S-0.5SH\(99\)](#) [FH39J-51S-0.3SHW\(99\)](#) [AYF355125A](#) [AYF530365TA](#) [FH29B-44S-0.2SHW\(99\)](#) [SFW5R-2STAE9LF](#) [AYF351125A](#)
[AYF350725A](#) [62684-502100AHLF](#) [FH39-61S-0.3SHW\(99\)](#) [AYF414035A](#) [10064555-172520HLF](#) [AYF212335A](#) [504754-2500](#)