

**CONNECTOR  
 DESIGNATORS**  
**A-B\*-C-D-E-F**  
**G-H-J-K-L-S**

\* Conn. Design. B See Note 4  
**DIRECT  
 COUPLING**

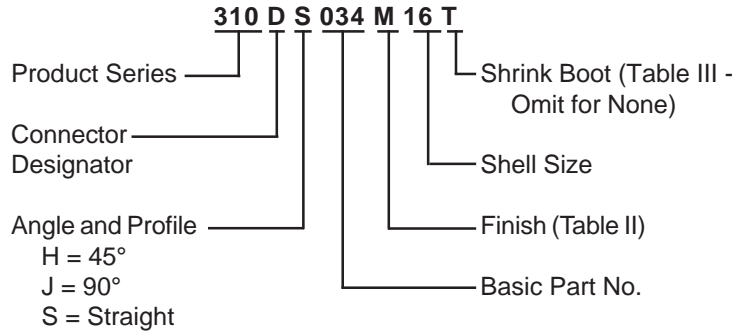
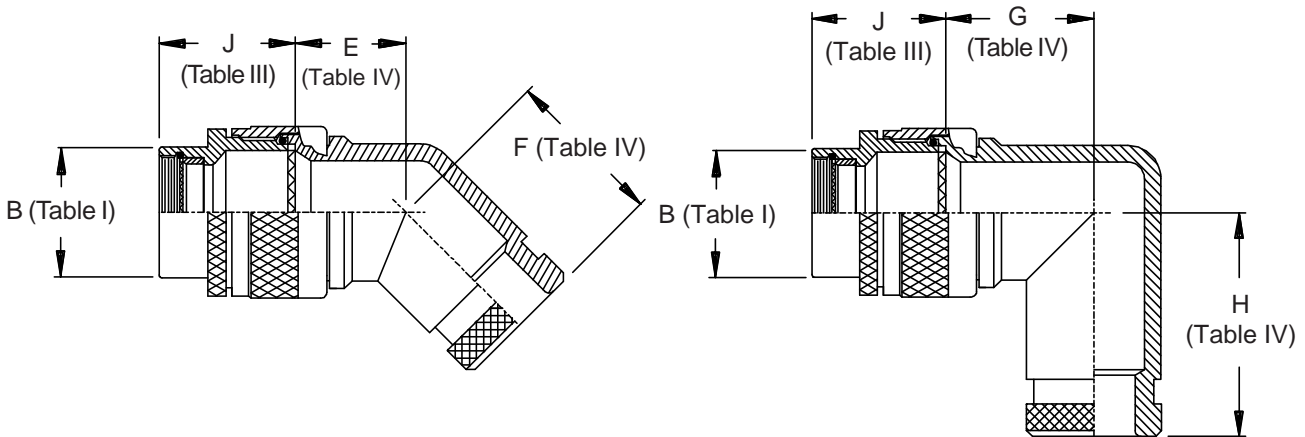


TABLE II - STANDARD FINISHES	
GLENAIR SYMBOL	FINISH
B	Cadmium Plate, Olive Drab
C	Anodize, Black
G	Hard Coat, Anodic
M	Electroless Nickel
NF	Cadmium Plate, Olive Drab Over Electroless Nickel

See Back Cover for Complete Finish Information and Additional Finish Options



**310-034**  
**O-Ring Sealed Shrink Boot Adapter**  
**Direct Coupling - Standard Profile**



See inside back cover fold-out or pages 13 and 14 for unabridged Tables I and II.

<b>TABLE III: FRONT ADAPTER</b>			
<b>Shell Size</b>	<b>J Max - Conn. Designator</b>		
	<b>A-E-F</b>		
	<b>J-H-L-S</b>	<b>D-B-G-K</b>	<b>C</b>
08/09	1.180 (30.0)	1.250 (31.8)	
10/11	1.180 (30.0)	1.250 (31.8)	
12/13	1.180 (30.0)	1.250 (31.8)	1.735 (44.1)
14/15	1.180 (30.0)	1.250 (31.8)	1.915 (48.6)
16/17	1.380 (35.0)	1.560 (39.6)	1.915 (48.6)
18/19	1.380 (35.0)	1.560 (39.6)	1.915 (48.6)
20/21	1.380 (35.0)	1.560 (39.6)	1.915 (48.6)
22/23	1.380 (35.0)	1.560 (39.6)	1.915 (48.6)
24/25	1.380 (35.0)	1.560 (39.6)	1.915 (48.6)
28/29	1.610 (40.9)	1.560 (39.6)	1.915 (48.6)
32/33	1.610 (40.9)	1.750 (44.5)	1.915 (48.6)
36	1.610 (40.9)	1.750 (44.5)	1.915 (48.6)
40	1.610 (40.9)	2.190 (55.6)	1.915 (48.6)

<b>TABLE IV: DIMENSIONS</b>					
<b>Shell Size</b>	<b>E Max</b>	<b>F Max</b>	<b>G Max</b>	<b>H Max</b>	
08/09	.639 (16.2)	.810 (20.6)	.750 (19.1)	.920	(23.4)
10/11	.664 (16.9)	.840 (21.3)	.810 (20.6)	.980	(24.9)
12/13	.688 (17.5)	.860 (21.8)	.870 (22.1)	1.040	(26.4)
14/15	.705 (17.9)	.890 (22.6)	.920 (23.4)	1.110	(28.2)
16/17	.732 (18.6)	.910 (23.1)	.980 (24.9)	1.170	(29.7)
18/19	.748 (19.0)	.920 (23.4)	1.020 (25.9)	1.190	(30.2)
20/21	.773 (19.6)	.940 (23.9)	1.080 (27.4)	1.250	(31.8)
22/23	.800 (20.3)	.980 (24.9)	1.140 (29.0)	1.330	(33.8)
24/25	.823 (20.9)	1.010 (25.7)	1.200 (30.5)	1.400	(35.6)
28	1.041 (26.4)	1.180 (30.0)	1.480 (37.6)	1.640	(41.7)
32	1.092 (27.7)	1.370 (34.8)	1.610 (40.9)	1.880	(47.8)

<b>TABLE V: CABLE ENTRY AND SHRINK BOOT</b>						
<b>Shell Size</b>	<b>K Max</b>	<b>L</b>		<b>Cable Entry</b>		<b>Shrink Boot *</b>
		<b>Max</b>	<b>Min</b>	<b>Min</b>	<b>Shrink Boot *</b>	
08	.500 (12.7)	.688 (17.5)	.250 (6.4)			770-001S103
10/11	.500 (12.7)	.803 (20.4)	.355 (9.0)			770-001S103
12/13	.500 (12.7)	.938 (23.8)	.491 (12.5)			770-001S104
14/15	.500 (12.7)	1.063 (27.0)	.565 (14.4)			770-001S104
16/17	.500 (12.7)	1.238 (31.4)	.690 (17.5)			770-001S106
18	.500 (12.7)	1.310 (33.3)	.769 (19.5)			770-001S106
20	.500 (12.7)	1.436 (36.5)	.844 (21.4)			770-001S107
22	.500 (12.7)	1.560 (39.6)	1.019 (25.9)			770-001S107
24	.500 (12.7)	1.686 (42.8)	1.134 (28.8)			770-001S108
28	.687 (17.4)	2.062 (52.4)	1.369 (34.8)			770-001S108
32	.687 (17.4)	2.312 (58.7)	1.615 (41.0)			770-001S109
36	.687 (17.4)	2.562 (65.1)	1.830 (46.5)			Consult Factory
40	.687 (17.4)	2.812 (71.4)	2.045 (51.9)			Consult Factory

\* Equivalent boot may be supplied in lieu of stated part number.

1. Cable Entry is defined as the accommodation range for the wire bundle or cable. Dimensions shown are not intended for inspection criteria.
2. See Shrink Boot Reference Information (page 40).
3. Metric dimensions (mm) are indicated in parentheses.
4. When using Connector Designator B refer to pages 18 and 19 for part number development.

## X-ON Electronics

Largest Supplier of Electrical and Electronic Components

*Click to view similar products for [Heat Shrink Cable Boots & End Caps](#) category:*

*Click to view products by [Glenair](#) manufacturer:*

Other Similar products are found below :

[577159N001](#) [007758-000](#) [610368N003](#) [645494-000](#) [M85049/141-02HU](#) [M85049/141-03HU](#) [M85049/141-04HU](#) [687025-000](#) [705331-000](#)  
[718446-000](#) [725666N001](#) [729257-000](#) [F21914-000](#) [F27131-000](#) [F85868-000](#) [770-006A103R](#) [770-006A304W1](#) [770-006A305W1](#) [770-](#)  
[006A308W1](#) [770-011T303W1](#) [770-011T304W1](#) [770-020S702W1](#) [770-020S704W1](#) [806138-000](#) [806542N001](#) [807507-000](#) [808059-000](#)  
[808296-000](#) [808362-000](#) [808828-000](#) [809125-000](#) [809130-000](#) [809218-000](#) [811218-000](#) [811288-000](#) [812014-000](#) [812047-000](#) [813166-000](#)  
[813767N002](#) [814417-000](#) [819115N001](#) [819117N001](#) [823026-000](#) [823070-000](#) [825002-000](#) [841189N001](#) [861471-000](#) [866647-000](#) [937577-](#)  
[000](#) [950764-000](#)