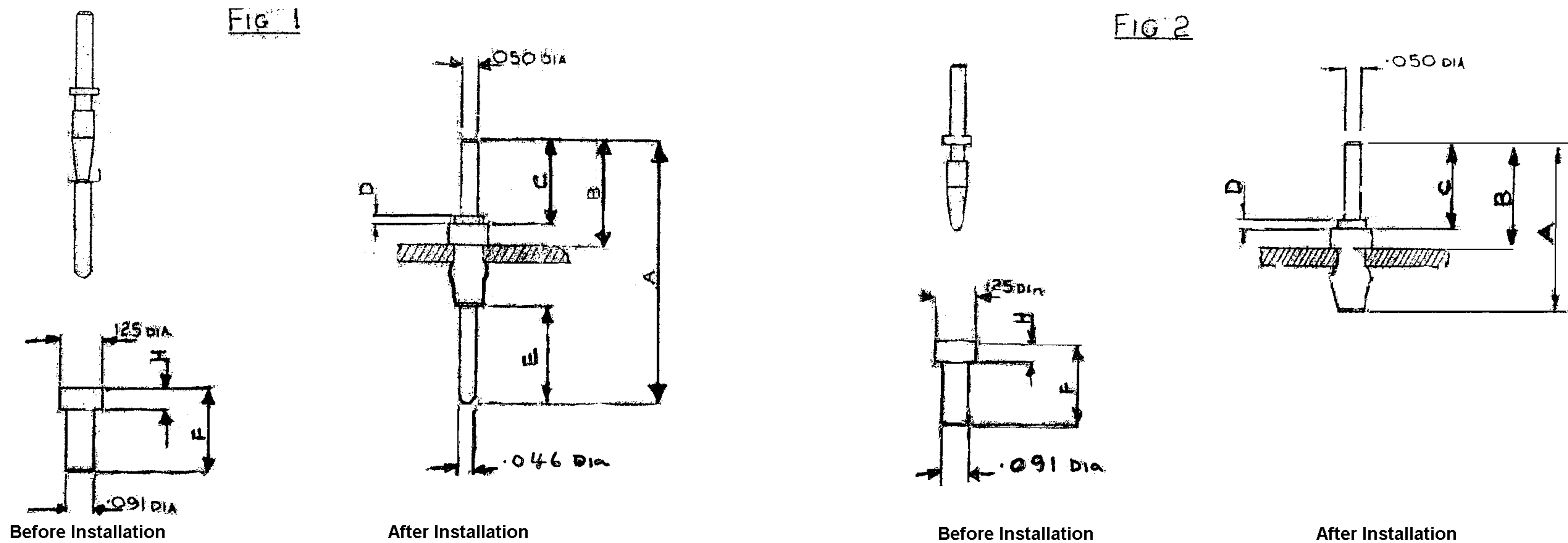


ISS	CHANGE	DATE
2	SPT 21 WAS SPT 27 SPT 27 WAS SPT 21	15/10/69 8/6/32
3	INSERTION TOOL N° ADD'D	17/7/70

Catalogue Number	Computer Code	Description
SPT 21	203-1407-001510	Lug
	103-1407-001009	Bush
SPT 22	203-1408-001510	Lug
	103-1408-001009	Bush
SPT 23	201-1409-001510	Lug
	103-1409-001009	Bush
SPT 24	201-1410-001510	Lug
	101-1410-001009	Bush
SPT 25	201-1411-001510	Lug
	101-1411-001009	Bush
SPT 26	201-1412-001510	Lug
	101-1411-001009	Bush
SPT 27	203-1409-001510	Lug
	101-1412-001009	Bush



CAT N°	FIG N°	DIM A	DIM B	DIM C	DIM D	DIM E	DIM F	DIM H	THICKNESS OF PANEL
SPT 21	2	294	194	140	.020	-	160	.060	.026
SPT 22	2	420	230	170	.020	-	250	.060	.032 MIN - .064 MAX
SPT 23	1	437	197	137	.020	144	156	.060	.036
SPT 24	1	500	200	140	.020	157	203	.060	.048
SPT 25	1	562	216	156	.020	186	250	.060	.064
SPT 26	1	625	248	188	.020	187	250	.060	.064 MIN - .092 MAX
SPT 27	2	520	330	270	.020	-	250	.060	.036 MIN - .064 MAX
SPT 28	1	812	372	312	.020	250	250	.060	.032 MIN - .092 MAX

INSTALLATION DETAILS. DRILL HOLE .093 DIA

MATERIAL

BUSH - TEFLON  
LUG - BRASS  
PLATING - TINNED

INSERTION TOOL N° T0549/05

MATERIAL:		FINISH:		3rd ANGLE PROJECTION	
UNLESS SPECIFIED OTHERWISE DIMENSIONS ARE IN INCHES TOLERANCES					S.P.T. SERIES
FRACT.	DEC.	ANG.			
DRG. BY: D. FARROW	CHKD. BY: [Signature]	APPROVED BY: [Signature]	DRG. No. B.		
DATE: 7-3-69	SCALE: N.T.S.	SURFACE AREA:			

## X-ON Electronics

Largest Supplier of Electrical and Electronic Components

*Click to view similar products for [Test Plugs & Test Jacks](#) category:*

*Click to view products by [ITT](#) manufacturer:*

Other Similar products are found below :

[579-0400](#) [66000-7](#) [R644543000](#) [R921923000](#) [R921930000](#) [R941344000](#) [R948161000](#) [R999351000](#) [1408-4](#) [1533-1](#) [174-R825B-EX](#)  
[NYS508-BU](#) [1680](#) [174-R819B-EX](#) [R644543003](#) [R644543020](#) [R644543021](#) [R921926000](#) [R921931000](#) [R921932000](#) [R921934000](#)  
[R929991000](#) [R941460000](#) [R941461000](#) [R941463600](#) [R941920600](#) [R948160000](#) [31B-2-RED](#) [032-0016-023](#) [105-1106-001](#) [108-1000-106](#)  
[108-2301-621](#) [111-0707-001](#) [66001-9](#) [7013](#) [1395080-1](#) [930166100](#) [NYS508-GR](#) [NYS508-W](#) [NYS508-Y](#) [NYS511-R](#) [BP30-2BR10-B PKG](#)  
[BP30-10-WT](#) [BP30-2BR-B PKG](#) [BP30Y-1 PKG](#) [R941049000](#) [R941340000](#) [R948141029](#) [R644543022](#) [R948142000](#)