

2P~6P

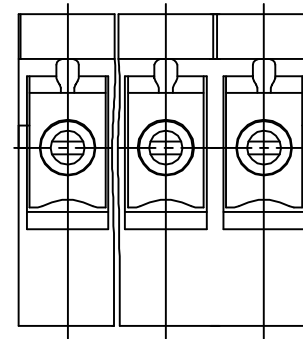
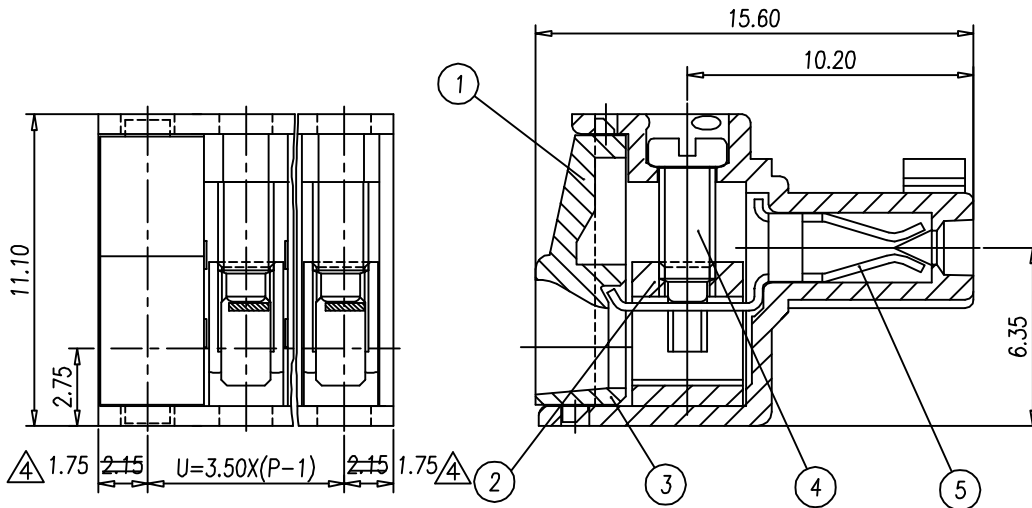
>6P

△	P	2	3	4	5	6	7	8	9	10	11	12	13
	U	3.50	7.00	10.50	14.00	17.50	21.00	24.50	28.00	31.50	35.00	38.50	42.00
	V	7.00	10.50	14.00	17.50	21.00	24.50	28.00	31.50	35.00	38.50	42.00	45.50
	P	14	15	16	17	18	19	20	21	22	23	24	
	U	45.50	49.00	52.50	56.00	59.50	63.00	66.50	70.00	73.50	77.00	80.50	
	V	49.00	52.50	56.00	59.50	63.00	66.50	70.00	73.50	77.00	80.50	84.00	
Tolerances for PITCH ERROR													

NOTES:

1. Rating: 300V 8A (IEC 125V 12A)
PITCH: 3.50mm
2. Insulation Withstands Voltage:
AC 2000V/MIN
3. Insulation Resistance:
1000MΩ or more at DC500V
4. Using Temperature Range:
-40°C~+130°C
5. Suitable Electric Wire: AWG 28~16 (1.5mm²)
6. Screw Torque Value: 2kgf-cm
7. Undimensioned Tolerances:

—	∩	∇	0.05/10
⊥	//	≡	0.2/10
PITCH ERROR			0.05/10
UNDIMENSIONS TOLERANCES			±0.3



1	HOUSING	0080A0XX00	1	PBT	GREEN
ITEM	NAME OF PART	NO. OF PART	Q'TY	MATERIAL	NOTES
DWG.	Y.y	DATE	03.09.18	UNITS	MM SHEET/OF 1/1
CHK.		DATE		SCALE	5:1 (:)
APP.		DATE		NAME	20.1550/XX
					DWG NO.
REV.	CONTENT	CHK.	DATE		

△		YFY	04.03.26						
△		LJF	03.10.10	5	SOLDER PIN	0070B00100	P	BRONZE	
△		YFY	03.10.10	4	SCREW	S000010200	P	STEEL	M2/Zn Plated
△			01.11.1	3	COVER	0080L3XX00	1	PBT	GREEN
REV.	CONTENT	CHK.	DATE	2	WIRE CAGE	X000007400 X000002700	P	Hard Brass C360	M2/Ni Plated M2/Zn Plated

X-ON Electronics

Largest Supplier of Electrical and Electronic Components

Click to view similar products for [imo manufacturer](#):

Other Similar products are found below :

[20.155MV/12-E](#) [MC14N-S-10110AC](#) [MB09-S-10=24](#) [DPS-1-030-24](#) [SRF-1C-SL-12VDC](#) [MB09-S-1024](#) [LDC18RRS](#) [SFSYE0111](#)
[21.1500M/6-E](#) [20.3304M/2-E](#) [21.910M/5-E](#) [20.95MA/2-E](#) [21.95MHF/2-E](#) [PE69-4032](#) [DPS-1-060-24](#) [CS20A-A2](#) [CS20A-U1](#) [VFC02](#)
[MSSTC11DA06](#) [20.95MHF/3-E](#) [B3T10](#) [XKL-040-21](#) [20.3304M/4-E](#) [SRDH-1A-SL-24VDC](#) [20.2500M/5-E](#) [21.155MH/12](#) [SRRHN-2CN-](#)
[SL-12VDC](#) [QYE21XXF24DC](#) [20.920M/5-E](#) [MC10N-S-10110AC](#) [21.1550MF/8-E](#) [20.910M/6-E](#) [20.95MH/3-E](#) [21.95MV/3](#) [MA05-S-](#)
[01230AC](#) [SRRHN-2CN-SL-5VDC](#) [LB69-4040](#) [20.3001M/6](#) [21.1500M/3-E](#) [SFSYE0311](#) [21.95MHF/6-E](#) [20.95MV/2-E](#) [20.155MV/4-E](#)
[20.155MH/4-E](#) [20.950M/2-E](#) [MT5 1-50-FAR](#) [BS3P3REDO](#) [MB12-S-10=24](#) [MA05-S-1024DC](#) [20.155MVF/8-E](#)