



Quality Products. Service Excellence.

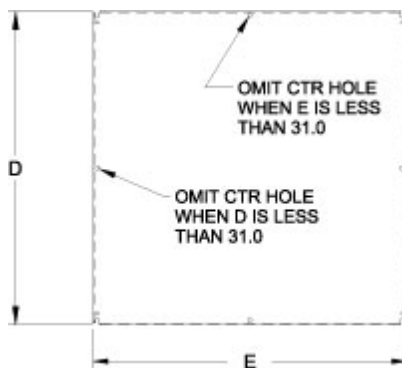
Inner Panels *EP Series*

Eclipse Series Enclosures



Features

- Larger than standard NEMA panel used in same sized enclosure.
- 12gauge steel construction.
- Larger sizes have 2 or 4 formed flanges for added strength.
- Slotted corner design for easier mounting.
- Finished in white or unpainted galvanized.



| Mild Steel | | | | |
|------------|---------------------|-------|-------|-------|
| Part No. | Galvanized Part No. | Size | | Gauge |
| | | D | E | |
| EP1210 | EPG1210 | 10.20 | 8.20 | 12 |
| EP1212 | EPG1212 | 10.20 | 10.20 | 12 |
| EP1224 | EPG1224 | 10.20 | 22.20 | 12 |
| EP1612 | EPG1612 | 14.20 | 10.20 | 12 |
| EP1616 | EPG1616 | 14.20 | 14.20 | 12 |
| EP1620 | EPG1620 | 14.20 | 18.20 | 12 |
| EP2012 | EPG2012 | 18.20 | 10.20 | 12 |
| EP2016 | EPG2016 | 18.20 | 14.20 | 12 |
| EP2020 | EPG2020 | 18.20 | 18.20 | 12 |
| EP2024 | EPG2024 | 18.20 | 22.20 | 12 |
| EP2412 | EPG2412 | 22.20 | 10.20 | 12 |
| EP2416 | EPG2416 | 22.20 | 14.20 | 12 |
| EP2420 | EPG2420 | 22.20 | 18.20 | 12 |
| EP2424 | EPG2424 | 22.20 | 22.20 | 12 |
| EP2430 | EPG2430 | 22.20 | 28.20 | 12 |
| EP2442 | EPG2442 | 22.20 | 40.20 | 12 |
| EP2448 | EPG2448 | 22.20 | 46.20 | 12 |
| EP3012 | EPG3012 | 28.20 | 10.20 | 12 |
| EP3016 | EPG3016 | 28.20 | 14.20 | 12 |
| EP3020 | EPG3020 | 28.20 | 18.20 | 12 |
| EP3024 | EPG3024 | 28.20 | 22.20 | 12 |

| Mild Steel | | | | |
|------------|---------------------|------|---|-------|
| Part No. | Galvanized Part No. | Size | | Gauge |
| | | D | E | |

| Mild | | | | |
|----------|------------|-------|-------|-------|
| Steel | Galvanized | Size | | |
| Part No. | Part No. | D | E | Gauge |
| EP3030 | EPG3030 | 28.20 | 28.20 | 12 |
| EP3036 | EPG3036 | 28.20 | 34.20 | 12 |
| EP3042 | EPG3042 | 28.20 | 40.20 | 12 |
| EP3048 | EPG3048 | 28.20 | 46.20 | 12 |
| EP3060 | EPG3060 | 28.20 | 58.20 | 12 |
| EP3624 | EPG3624 | 34.20 | 22.20 | 12 |
| EP3630 | EPG3630 | 34.20 | 28.20 | 12 |
| EP3636 | EPG3636 | 34.20 | 34.20 | 12 |
| EP3642 | EPG3642 | 34.20 | 40.20 | 12 |
| EP3648 | EPG3648 | 34.20 | 46.20 | 12 |
| EP3660 | EPG3660 | 34.20 | 58.20 | 12 |
| EP4224 | EPG4224 | 40.20 | 22.20 | 12 |
| EP4230 | EPG4230 | 40.20 | 28.20 | 12 |
| EP4236 | EPG4236 | 40.20 | 34.20 | 12 |
| EP4824 | EPG4824 | 46.20 | 22.20 | 12 |
| EP4830 | EPG4830 | 46.20 | 28.20 | 12 |
| EP4836 | EPG4836 | 46.20 | 34.20 | 12 |
| EP4848 | EPG4848 | 46.20 | 46.20 | 12 |
| EP6036 | EPG6036 | 58.20 | 34.20 | 12 |
| EP7230 | EPG7230 | 70.20 | 28.20 | 12 |
| EP7236 | EPG7236 | 70.20 | 34.20 | 12 |

Data subject to change without notice

© 2018. Hammond Manufacturing Ltd. All rights reserved.

X-ON Electronics

Largest Supplier of Electrical and Electronic Components

Click to view similar products for [Electrical Enclosure Accessories](#) category:

Click to view products by [Hammond](#) manufacturer:

Other Similar products are found below :

[60121-06-028 C-325 Black](#) [71884-04-028 CM3-100 Black](#) [71884-18-028 LH43-200 Black](#) [71884-24-028 LH75-200 Black](#) [71885-01-028 CM6-150 Black](#) [72459-02-028 DM-3 BLACK](#) [81501-01-000 XPL, 9VB Black](#) [82402-01 PT-8 ALUM](#) [1335GSKT3](#) [14101FP-PK](#) [CB-1263-BT](#) [1611512-4](#) [HB-11498](#) [RC-7775](#) [HM BLACK PANEL](#) [61033-01-000](#) [115123-01-508 CN-RL RS](#) [115124-01-508 CN-XRL XRS](#) [115119-01-000 CN-RL RS](#) [115123-01-000 CN-RL RS](#) [60121-04-028 C-275 Black](#) [60128-01-072](#) [60222-01-028 CM6-225 Black](#) [60272-01-028 CM3-150 Black](#) [60851-01-028 CM69-120 Black](#) [62291-502-000-KEU-10-BLK](#) [62452-01-000 HML-9VB, EB Black](#) [71884-25-028 LH89-130 Black](#) [AXX2POSTBRCKT](#) [FUPMESK](#) [71884-23-028 LH75-130 Black](#) [1317GSKTSC](#) [8G813V40389](#) [DVA.1-10-15-M4-10-70](#) [DVC.1-60-49-60-M10-28-55](#) [DVC.1-15-8,5-15-M4-10-40](#) [DVC.1-20-12-30-M6-18-40](#) [DVC.1-30-18-25-M8-20-40](#) [DVC.1-35-31-15-M8-20-40](#) [DVC.1-35-31-15-M8-20-70](#) [DVC.1-75-60-40-M12-37-70](#) [DVC.2-30-22-20-M8-20-55](#) [DVC.2-40-30-25-M8-23-55](#) [DVC.2-75-60-40-M12-37-55](#) [DVC.2-21-16-22-M6-18-40](#) [DVC.2-40-20-48-M8-23-40](#) [DVC.2-40-32-50-M8-23-40](#) [DVC.2-20-14-19-M6-18-70](#) [DVC.2-25-18-20-M6-18-70](#) [DVC.3-20-14-20-M6-40](#) [DVC.3-20-14-30-M6-40](#)