

MECF-05-01-L-DV-WT



MECF SERIES

(1,27 mm) .050"

MICRO EDGE CARD SOCKET

SPECIFICATIONS

For complete specifications and recommended PCB layouts see www.samtec.com?MECF-DV

Insulator Material:

- 01=Black Liquid Crystal Polymer
- 02=Natural Liquid Crystal Polymer

Contact Material:

BeCu

Plating:

- Sn or Au over 50µ" (1.27 µm) Ni

Operating Temp Range:

-55°C to +125°C

Current Rating:

3.5 A per pin

(2 adjacent pins powered)

Voltage Rating:

280 VAC

RoHS Compliant:

Yes

Processing:

Lead-Free Solderable:

Yes

SMT Lead Coplanarity:

(0,10 mm) .004" max (05-30)

(0,15 mm) .006" max (40-50)

RECOGNITIONS

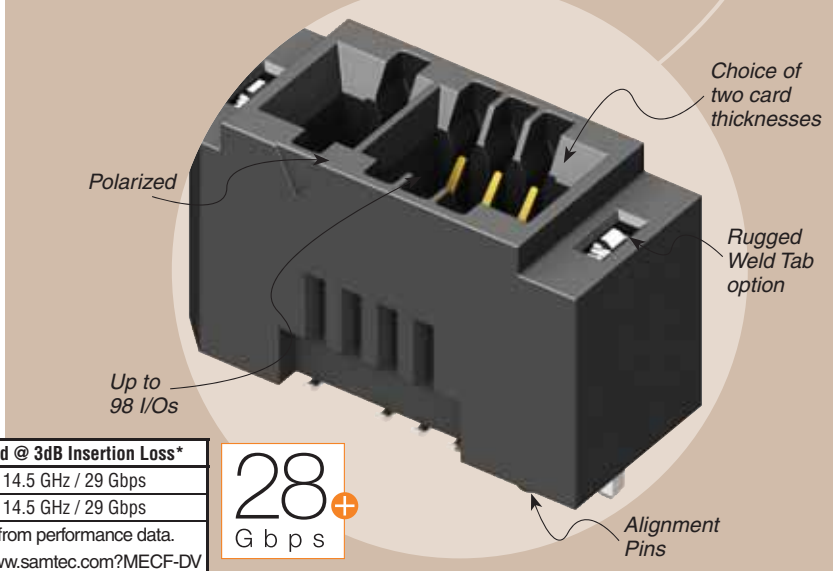
For complete scope of recognitions see www.samtec.com/quality



ALSO AVAILABLE (MOQ Required)

- Non-polarized
 - Other platings
- Contact Samtec.

Mates with:
(1,60 mm) .062" card,
(2,36 mm) .093" card



MECF-DV	Rated @ 3dB Insertion Loss*
Single-Ended Signaling	14.5 GHz / 29 Gbps
Differential Pair Signaling	14.5 GHz / 29 Gbps

*Test board losses de-embedded from performance data.
Complete test data available at www.samtec.com?MECF-DV or contact sig@samtec.com

28+
Gbps



MECF - POSITIONS PER ROW
-05, -08, -20, -30, -40, -50

CARD THICKNESS
-01 = (1,60 mm) .062" thick card
-02 = (2,36 mm) .093" thick card

PLATING OPTION
-L = 10µ" (0,25 µm) Gold on contact, Matte Tin on tail

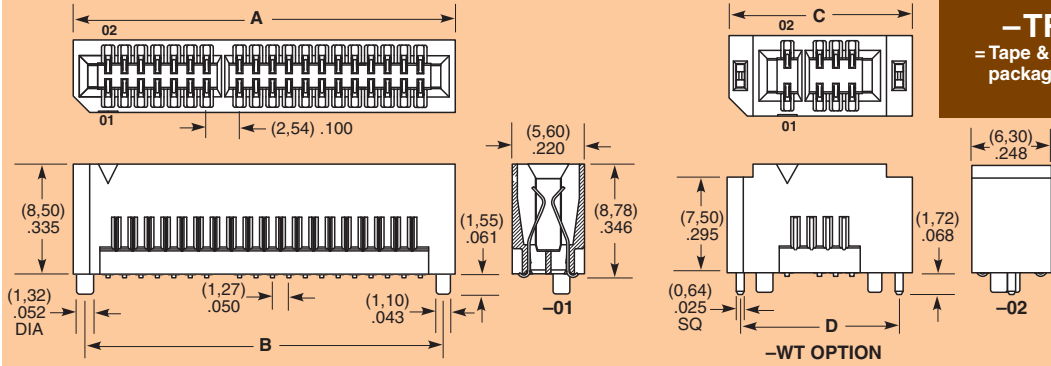
DV - **OPTION**
-WT = Weld Tabs (Standard on -02 card thickness, optional on -01 card thickness)

-K = (5,00 mm) .197" DIA (-01 card thickness) (5,70 mm) .224" DIA (-02 card thickness) Polyimide film pick & place pad (-TR only)

-TR = Tape & Reel packaging

POSITIONS PER ROW	A	B	C	D
-05	(10,46) .412	(8,64) .340	(14,53) .572	(12,45) .490
-08	(14,27) .562	(12,45) .490	(18,34) .722	(16,26) .640
-20	(29,51) 1.162	(27,69) 1.090	(33,58) 1.322	(31,50) 1.240
-30	(42,21) 1.662	(40,39) 1.590	(46,28) 1.822	(44,20) 1.740
-40	(54,91) 2.162	(53,09) 2.090	(58,98) 2.322	(56,90) 2.240
-50	(67,61) 2.662	(65,79) 2.590	(71,68) 2.822	(69,60) 2.740

POSITIONS PER ROW	POLARIZED POSITIONS (No Contact)
-05	3, 4
-08	5, 6
-20	15, 16
-30	21, 22
-40	31, 32
-50	41, 42



Note: While optimized for 50Ω applications, this connector with alternative signal/ground patterns may also perform well in certain 75Ω applications. Contact Samtec for further information.

Note: Some sizes, styles and options are non-standard, non-returnable.

Due to technical progress, all designs, specifications and components are subject to change without notice.

WWW.SAMTEC.COM

X-ON Electronics

Largest Supplier of Electrical and Electronic Components

Click to view similar products for [FFC & FPC Connectors](#) category:

Click to view products by [Samtec](#) manufacturer:

Other Similar products are found below :

[HFW11R-1STE1H1LF](#) [FH29B-100S-0.2SHW\(99\)](#) [FA5S008HP1](#) [FH29B-120S-0.2SHW\(99\)](#) [FH29B-80S-0.2SHW\(99\)](#) [FHS-16](#) [FPH-2022G](#)
[52610-1075](#) [52610-1275](#) [52610-1934](#) [XF3M\(1\)-1415-1B-R100](#) [501864-3091-TR225](#) [0525594033](#) [086210010340800](#) [086222026001800](#)
[52271-2869-CUT-TAPE](#) [62674-201121DLF](#) [62684-36210E9ALF](#) [52610-1675](#) [52746-1671-TR250](#) [10051922-2810EHLF](#) [6-520415-9](#)
[BD021-09A-A1-0350-0200-0550-LD](#) [SFV6R-1STE9HLF](#) [XF3M-2915-1B-R100](#) [1658549-1](#) [62674-221121ALF](#) [46214008010800](#)
[046298003000883](#) [151660622](#) [842-816-2630-035](#) [AYF530665TA](#) [AYF351525](#) [046296011930846+](#) [AYF352325A](#) [046254020000800+](#)
[FH19C-13S-0.5SH\(99\)](#) [FH39J-51S-0.3SHW\(99\)](#) [AYF355125A](#) [AYF530365TA](#) [FH29B-44S-0.2SHW\(99\)](#) [SFW5R-2STAE9LF](#) [AYF351125A](#)
[AYF350725A](#) [62684-502100AHLF](#) [FH39-61S-0.3SHW\(99\)](#) [AYF414035A](#) [10064555-172520HLF](#) [AYF212335A](#) [504754-2500](#)