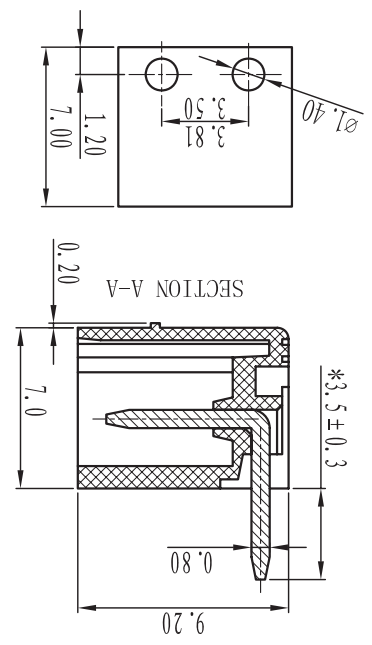
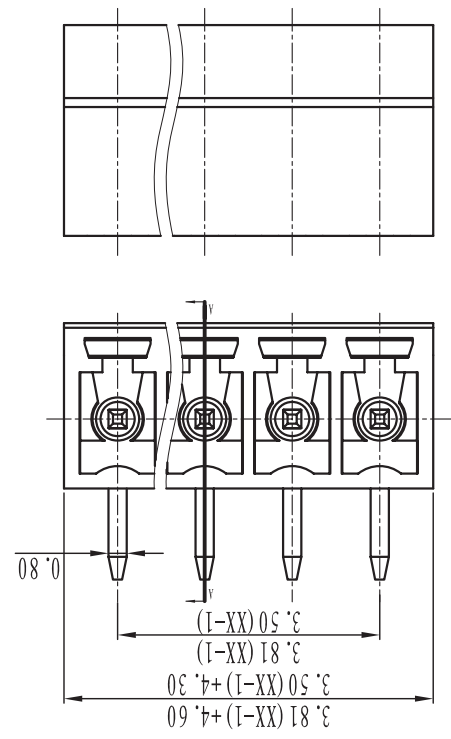


tolerance	±0.1	±0.2	±0.3	±0.5	±0.9	±0.2	±0.5	±1	1°	10'	20'	30'	50'	120'	0.4
variable range	to 6	to 30	to 120	to 480	to 480	all	to 6	to 10	to 10	to 120	to 50	to 10	to 50	to 120	to 120
	over 6	over 30	over 120	over 480	over 480		over 6	over 10	over 10	over 120	over 50	over 10	over 50	over 120	over 120
	Linear dimension	Linear dimension	Linear dimension	Linear dimension	Linear dimension	filllet	chamfer	short angle sid	≡	—	□	//	T		

TOLERANCES EXCEPT AS NOTED



**Electrical**  
 Standard: UL 10A  
 Rated voltage: 300V 250V  
 Rated current: 8A 10A  
 Contact resistance: 20mΩ  
 Withstanding voltage: AC2000V/1Min  
 Insulation resistance: 500MΩ/DC500V  
**Mechanical**  
 Temp. Range: -40°C ~ +105°C  
 MAX Soldering: +250°C, for 5 Sec  
**Dimensions**  
 Pitch: 3.81mm/3.50mm  
 Poles: 2P-24P  
**Material**  
 Housing: PA66, UL94V-0  
 Pin header: Brass, Tin plated

UNITS	mm	SIZE	A4	SCALE	
NAME					
FIRST ANGLE PROJECTION					
20.155MH-E	21.155MH-E				

## X-ON Electronics

Largest Supplier of Electrical and Electronic Components

*Click to view similar products for imo manufacturer:*

Other Similar products are found below :

[20.155MV/12-E](#) [MC14N-S-10110AC](#) [DPS-1-030-24](#) [SRF-1C-SL-12VDC](#) [LDC18RRS](#) [SFSYE0111](#) [21.1500M/6-E](#) [20.3304M/2-E](#)  
[21.910M/5-E](#) [20.95MA/2-E](#) [21.95MHF/2-E](#) [PE69-4032](#) [DPS-1-060-24](#) [CS20A-A2](#) [CS20A-U1](#) [VFC02](#) [MSSTC11DA06](#) [20.2500M/4-E](#)  
[20.95MHF/3-E](#) [B3T10](#) [XKL-040-21](#) [20.3304M/4-E](#) [SRDH-1A-SL-24VDC](#) [20.2500M/5-E](#) [21.155MH/12](#) [SRRHN-2CN-SL-12VDC](#)  
[QYE21XXF24DC](#) [20.920M/5-E](#) [21.1550MF/8-E](#) [20.910M/6-E](#) [20.95MH/3-E](#) [MC10N-S-10110AC](#) [21.95MV/3](#) [MB09-S-1024](#) [MA05-S-](#)  
[01230AC](#) [SRRHN-2CN-SL-5VDC](#) [LB69-4040](#) [20.3001M/6](#) [SRGA-1A-SL-24VDC](#) [21.1500M/3-E](#) [21.95MHF/6-E](#) [20.95MV/2-E](#)  
[20.155MV/4-E](#) [ER2.5BEIGE](#) [20.950M/2-E](#) [MT5 1-50-FAR](#) [BS3P3REDO](#) [MB12-S-10=24](#) [MA05-S-1024DC](#) [20.155MVF/8-E](#)