

MEC8-DV SERIES

(0,80 mm) .0315"

VERTICAL MICRO EDGE CARD SOCKET

SPECIFICATIONS

For complete specifications and recommended PCB layouts see www.samtec.com?MEC8-DV

Insulator Material:

Black LCP

Contact Material:

Phosphor Bronze

Plating:

Au or Sn over

50µ" (1,27 µm) Ni

Operating Temp Range:

-55°C to +125°C

Insertion Depth:

(4,22 mm) .166" to

(5,66 mm) .223"

Current Rating:

1.8 A per pin

(6 adjacent pins powered)

Voltage Rating:

185 VAC

RoHS Compliant:

Yes

Processing:

Lead-Free Solderable:

Yes

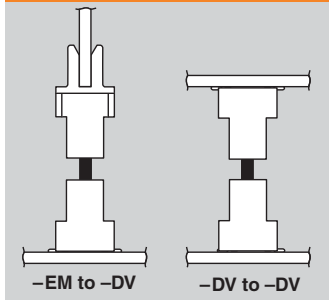
SMT Lead Coplanarity:

(0,10 mm) .004" max (10-50)

(0,15 mm) .006" max (60-70)

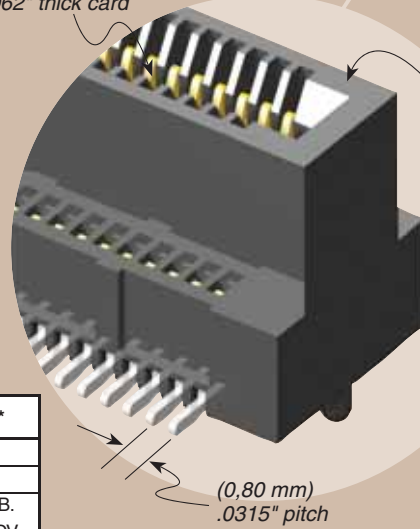
Mates with:
(1,60 mm) .062"
thick cards

APPLICATIONS



Mates with (1,60 mm)
.062" thick card

Variety of
lead counts



(0,80 mm)
.0315" pitch

MEC8-DV 8,65 mm Stack Height	Rated @ 3dB Insertion Loss*
Single-Ended Signaling	7.0 GHz / 14 Gbps
Differential Pair Signaling	7.0 GHz / 14 Gbps

*Performance data includes effects of a non-optimized PCB.
Complete test data available at www.samtec.com?MEC8-DV or contact sig@samtec.com

RECOGNITIONS

For complete scope of recognitions see www.samtec.com/quality



ALSO AVAILABLE (MOQ Required)

- 1 mm mating card thickness option
- Locking clip (Manual placement required)

Contact Samtec.

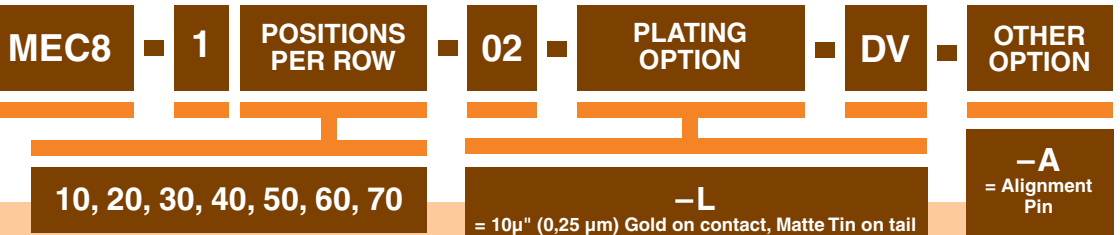
OTHER SOLUTIONS

- Right Angle
- Edge Mount

See www.samtec?MEC8-RA or www.samtec?MEC8-EM

Note: While optimized for 50Ω applications, this connector with alternative signal/ground patterns may also perform well in certain 75Ω applications. Contact Samtec for further information.

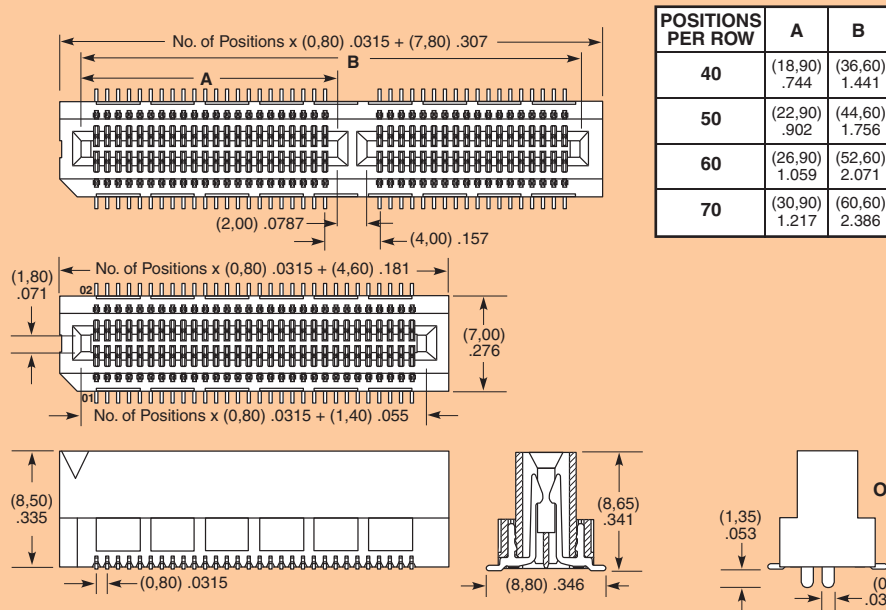
Note: Some sizes, styles and options are non-standard, non-returnable.



10, 20, 30, 40, 50, 60, 70

-L = 10µ" (0,25 µm) Gold on contact, Matte Tin on tail

- A = Alignment Pin
- K = (5,50 mm) .217" DIA Polyimide Pick & Place Pad



Due to technical progress, all designs, specifications and components are subject to change without notice.

WWW.SAMTEC.COM

X-ON Electronics

Largest Supplier of Electrical and Electronic Components

Click to view similar products for [Standard Card Edge Connectors](#) category:

Click to view products by [Samtec](#) manufacturer:

Other Similar products are found below :

[6565204-6](#) [PKC-156](#) [1437274-4](#) [147889-1](#) [1489165-4](#) [EBT156-12B1X](#) [EBT15622B2X](#) [EBT156-22R2W](#) [1-582587-1](#) [1-582589-1](#) [2-6437275-9](#) [284-0102-12100](#) [306022901000000](#) [307-012-502-202](#) [307-024-526-201](#) [307-056-520-300](#) [307-080-526-208](#) [1926088-2](#) [245-062-520-350](#) [287-0032-12101](#) [306-010-500-112](#) [306-028-525-102](#) [306-240-318](#) [307-036-502-202](#) [307-036-521-301](#) [307-072-526-202](#) [345-060-559-303](#) [368-004-520-201](#) [392-008-559-201](#) [534671-1](#) [5-530501-5](#) [341-240-317](#) [345-029-520-300](#) [345-030-500-301](#) [345-044-500-300](#) [345-220-058](#) [346-240-318](#) [387-012-523-300](#) [395-044-520-300](#) [395-100-524-300](#) [50-12B-10](#) [50-6SN-5](#) [09-07-2032](#) [10035388-106LF](#) [10035388-802LF](#) [10115859-011LF](#) [10122859-009LF](#) [101269333204245CLF](#) [10127905-B04B24BLF](#) [530555-1](#)