

Footswitches with two pedals

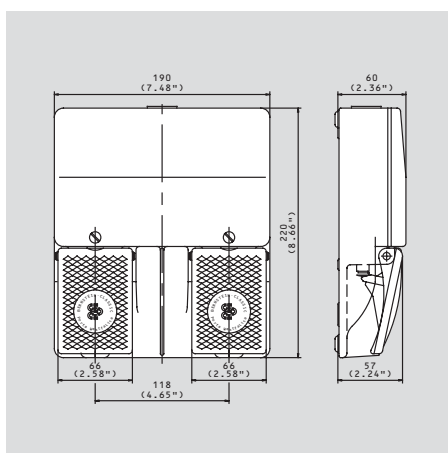
F2

Protection class IP 65



Designation	F2-U1Z/U1Z	F2-U2Z/U2Z
Part number	606.2110.013	606.2220.015
Circuit diagram		
Slow make & break/snap action	●/-	●/-
Pressure point	-	-
Latching switch	-	-
Potentiometer	-	-
Pedal interlocking	-	-
Emergency stop function	-	-
Power contactor	-	-
Voltage	max. 500 V AC	500 V AC
Permanent current	max. 10 A	10 A
In-rush current complies with standards IEC 947-5-1 AC 15/DC 13	●	●
Switching frequency	max. 50/min.	50/min.
Mechanical life – number of switching actions	10 x 10 ⁶	10 x 10 ⁶
Mechanical life – number of revolutions	-	-
Operating temperature	min./max. -30 °C/+80 °C -22 °F/+176 °F	-30 °C/+80 °C -22 °F/+176 °F
Approvals	BG, CSA, UL	BG, CSA, UL
Cable entry	1 x M 20	1 x M 20
Weight	1.70 kg/3.7 lb	1.70 kg/3.7 lb
Delivery: ex-stock/built to order	●/-	●/-

All dimensions in mm (inch)



Footswitches with two pedals (guarded) F2 UN

With three pedals F3

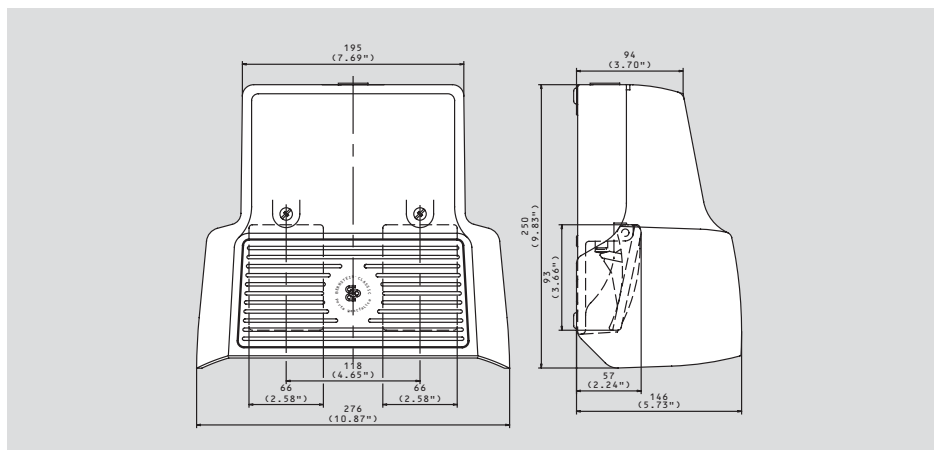
With three pedals (guarded) F3 UN

Protection class IP 65



Designation	F2-U1Z/U1Z UN	F2-SU1Z/SU1Z UN	F2-U2Z/U2Z UN	F2-U2ZD/U2ZD UN
Part number	606.2610.014	606.2830.022	606.2720.016	606.2720.020
Circuit diagram				
Slow make & break/snap action	●/-	●/-	-/●	-/●
Pressure point	-	-	-	●
Latching switch	-	-	-	-
Potentiometer	-	-	-	-
Pedal interlocking	-	-	-	-
Emergency stop function	-	-	-	-
Power contactor	-	-	-	-
Voltage	max. 500 V AC	max. 500 V AC	max. 500 V AC	max. 500 V AC
Permanent current	max. 10 A	max. 10 A	max. 10 A	max. 10 A
In-rush current complies with standards IEC 947-5-1 AC 15/DC 13	●	●	●	●
Switching frequency	max. 50/min.	max. 50/min.	max. 50/min.	max. 50/min.
Mechanical life – number of switching actions	10 x 10 ⁶	10 x 10 ⁶	10 x 10 ⁶	10 x 10 ⁶
Mechanical life – number of revolutions	-	-	-	-
Operating temperature	min./max. -30 °C/+80 °C -22 °F/+176 °F	min./max. -30 °C/+80 °C -22 °F/+176 °F	min./max. -30 °C/+80 °C -22 °F/+176 °F	min./max. -30 °C/+80 °C -22 °F/+176 °F
Approvals	BG, CSA, UL	BG, CSA, UL	BG, CSA, UL	BG, CSA, UL
Cable entry	1 x M 20	1 x M 20	1 x M 20	1 x M 20
Weight	2.60 kg/5.7 lb	2.60 kg/5.7 lb	2.60 kg/5.7 lb	2.80 kg/6.2 lb
Delivery: ex-stock/built to order	●/-	●/-	●/-	●/-

All dimensions in mm (inch)



X-ON Electronics

Largest Supplier of Electrical and Electronic Components

Click to view similar products for [9V Battery Snaps & Contacts](#) category:

Click to view products by [Bernstein](#) manufacturer:

Other Similar products are found below :

[139B](#) [173P](#) [266](#) [491-SC36](#) [642-S](#) [1295](#) [12BC2202-GR](#) [2238](#) [2241](#) [2242](#) [2243](#) [227](#) [236](#) [237](#) [2410.0301-01](#) [262](#) [270](#) [271](#) [121-0626/I-GR](#)
[121-0426/IM-GR](#) [121-0626/T-GR](#) [121-0826/T-GR](#) [121-1026/I-GR](#) [12BH617T-GR](#) [123-5025-GR](#) [12BC269-GR](#) [12BH615D-GR](#) [121-](#)
[0624/O-GR](#) [GEM-V36](#) [531-SWHOX](#) [971-SB](#) [T-91-SC3](#) [632-DA](#) [634-DA](#) [636-S](#) [635-S](#) [632S TWIN DIVIDER](#) [3C-30A2-S](#) [3B-30A2-S](#)
[534-SS](#) [491-S](#) [L-2-S](#) [971-SO](#) [972-S](#) [606-1300-011](#) [606-1800-012](#) [616-1800-247](#) [6254-OB](#) [6289-PP](#) [6289-CC](#)