

Fig. 1

- Series 3XX are available with straight and right angle solder tails.
- Series 350 & 399...009 use MM# 3404 & 5011 pins. (See pages 170 & 172 for details)
- Series 310 & 399...003 use MM# 1001 & 1103 receptacles (see pages 134 & 135 for details)
- Receptacles use Hi-Rel, 4-finger #30 contact rated at 3 amps.
- Hi-Temp thermoplastic insulator available upon request.



Ordering Information

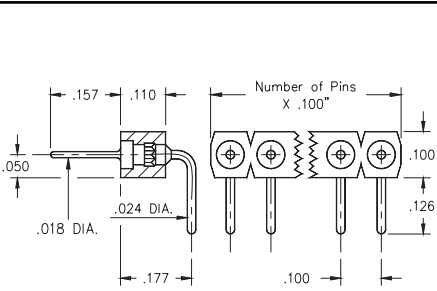


Fig. 2

Fig. 1	Series 350...006	Straight Pin Header
	350-XX-1__-00-006000 Specify # of pins → 01-64	
Fig. 2	Series 399...009	Right Angle Pin Header
	399-XX-1__-10-009000 Specify # of pins → 01-64	

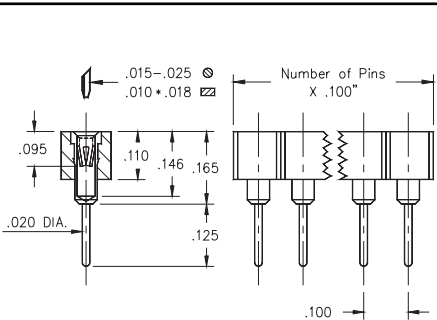


Fig. 3



XX= Plating Code
See Below

*For RoHS compliance, select \diamond plating code.
For the gold option (XX=10) also change part number from 3XX-XX-1XX-XX-00X000 to 3XX-10-1XX-XX-00X100*

SPECIFY PLATING CODE XX=	10 \diamond	90	40 \diamond	
Pin Plating	10 μ " Au	200 μ " Sn/Pb	200 μ " Sn	

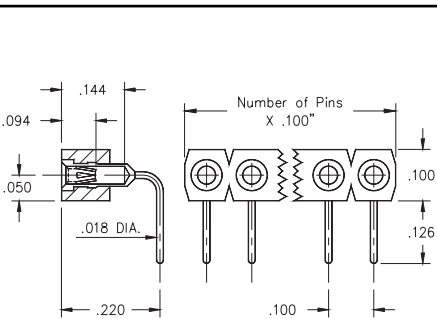


Fig. 4



XX= Plating Code
See Below

*For RoHS compliance, select \diamond plating code.
For the all gold option (XX=13) also change part number from 3XX-XX-1XX-XX-00X000 to 3XX-13-1XX-XX-00X100*

SPECIFY PLATING CODE XX=	13 \diamond	91	93	99	41 \diamond	43 \diamond	44 \diamond
Sleeve (Pin)	10 μ " Au	200 μ " Sn/Pb	200 μ " Sn/Pb	200 μ " Sn/Pb	200 μ " Sn	200 μ " Sn	200 μ " Sn
Contact (Clip)	30 μ " Au	10 μ " Au	30 μ " Au	200 μ " Sn/Pb	10 μ " Au	30 μ " Au	200 μ " Sn

X-ON Electronics

Largest Supplier of Electrical and Electronic Components

Click to view similar products for [mill-max](#) manufacturer:

Other Similar products are found below :

[833-93-034-10-001000](#) [399-10-114-10-008000](#) [410-13-204-41-001000](#) [499-10-220-10-008000](#) [315-43-109-41-001000](#) [399-10-120-10-007000](#)
[311-43-164-41-001000](#) [310-43-106-40-023000](#) [714-43-164-31-018000](#) [123-93-950-41-001000](#) [123-93-318-41-801000](#) [39503](#) [114-43-210-41-117000](#) [116-41-422-41-008000](#) [801-93-033-10-001000](#) [850-10-005-10-003000](#) [510-13-084-13-081001](#) [S892-10-010-00-890200](#)
[S890-10-004-00-050200](#) [852-10-026-10-001000](#) [3450-0-15-15-18-27-04-0](#) [398-90-104-00-601200](#) [410-13-264-41-001100](#) [316-43-107-41-007000](#) [518-91-320-69-129008](#) [0339-0-15-01-15-27-10-0](#) [110-91-422-41-001](#) [110-93-424-41-105000](#) [5275-1-05-21-00-00-01-0](#) [800-10-032-10-001000](#) [813-22-016-30-002101](#) [214-99-316-01-670800](#) [299-43-612-10-002000](#) [804-10-096-10-002000](#) [824-22-064-00-001000](#)
[110-93-628-41-801000](#) [853-43-034-10-001000](#) [115-93-318-41-001000](#) [350-50-117-00-006000](#) [803-93-100-10-001000](#) [8975-0-15-01-21-14-10-0](#) [858-22-006-10-011101](#) [818-22-008-10-004101](#) [399-10-102-10-007000](#) [442-10-216-00-591000](#) [868-10-003-00-012000](#) [310-41-120-41-105000](#) [430-10-214-00-240000](#) [803-41-004-10-001000](#) [853-43-050-10-001000](#)