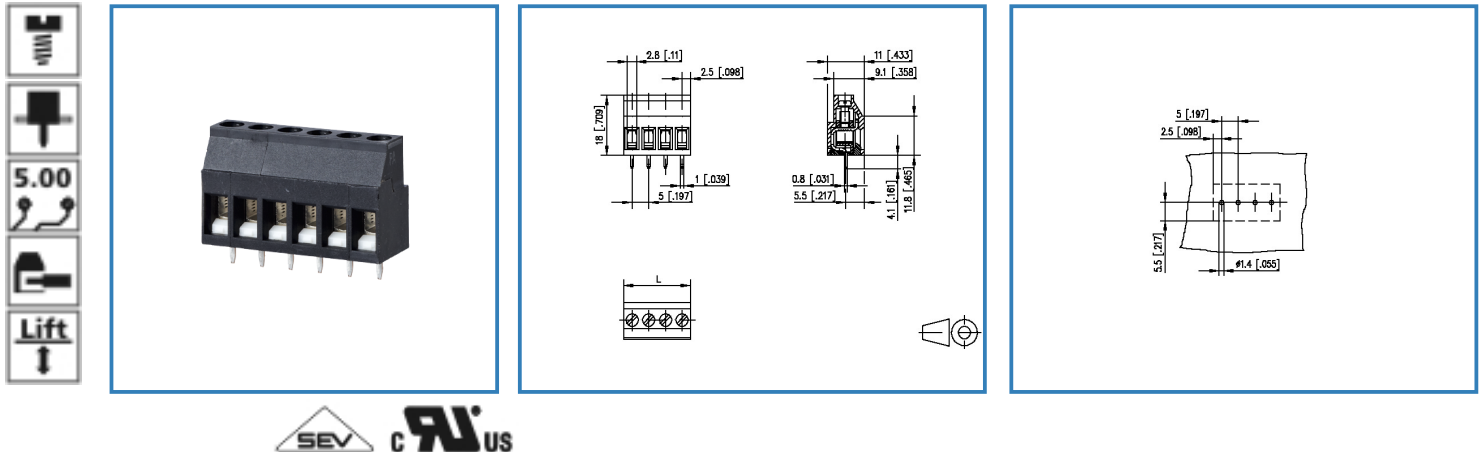


Data Sheet

RT025xxHBLC

Illustration



see enlarged drawing at the end of the document

Product specification

- screw type terminal block, solderable
- centerline 5.00 mm, direction of connection 90°
- lift system, fittable without loss of poles
- color black
- Connection data

SEV CRIUS V / A / AWG 300 / 20 / 22 - 12

SEV 2.5 mm² 250 V / 24 A / T60

Data Sheet



RT025xxHBLC

Technical Data

General Data

Tightening torque SEV	0.5 Nm		
Tightening torque UL	6 lb-in		
Solder pin length	4.1 mm		
min. number of poles	2		
max. number of poles	24		
Insulating material class	CTI 600		
clearance/creepage dist.	4 mm		
protection category	IP 20		
Overvoltage category	III	III	II
Pollution degree	3	2	2
Rated voltage	320 V	800 V	800 V
Rated test voltage	4 kV	4.0 kV	4 kV

Connection data

 V / A / AWG	300 / 20 / 22 - 12
 2.5 mm ²	250 V / 24 A / T60

Material

insulating material	PA66
flammability class	V0
terminal body material	CuZn
terminal body surface	Ni
screw surface	Zn Cr(VI)-frei/free
screw thread	M3

Climatic properties

upper limit temperature	105 °C
lower limit temperature	-40 °C

General

solderability	For THR products acc. to IPC/JEDEC J-STD-020D-MSL 1 For THT products max. 260 °C / 10 s
Tolerance	ISO 2768 -mH

Data Sheet

RT025xxHBLC

Page 3/4

P/N

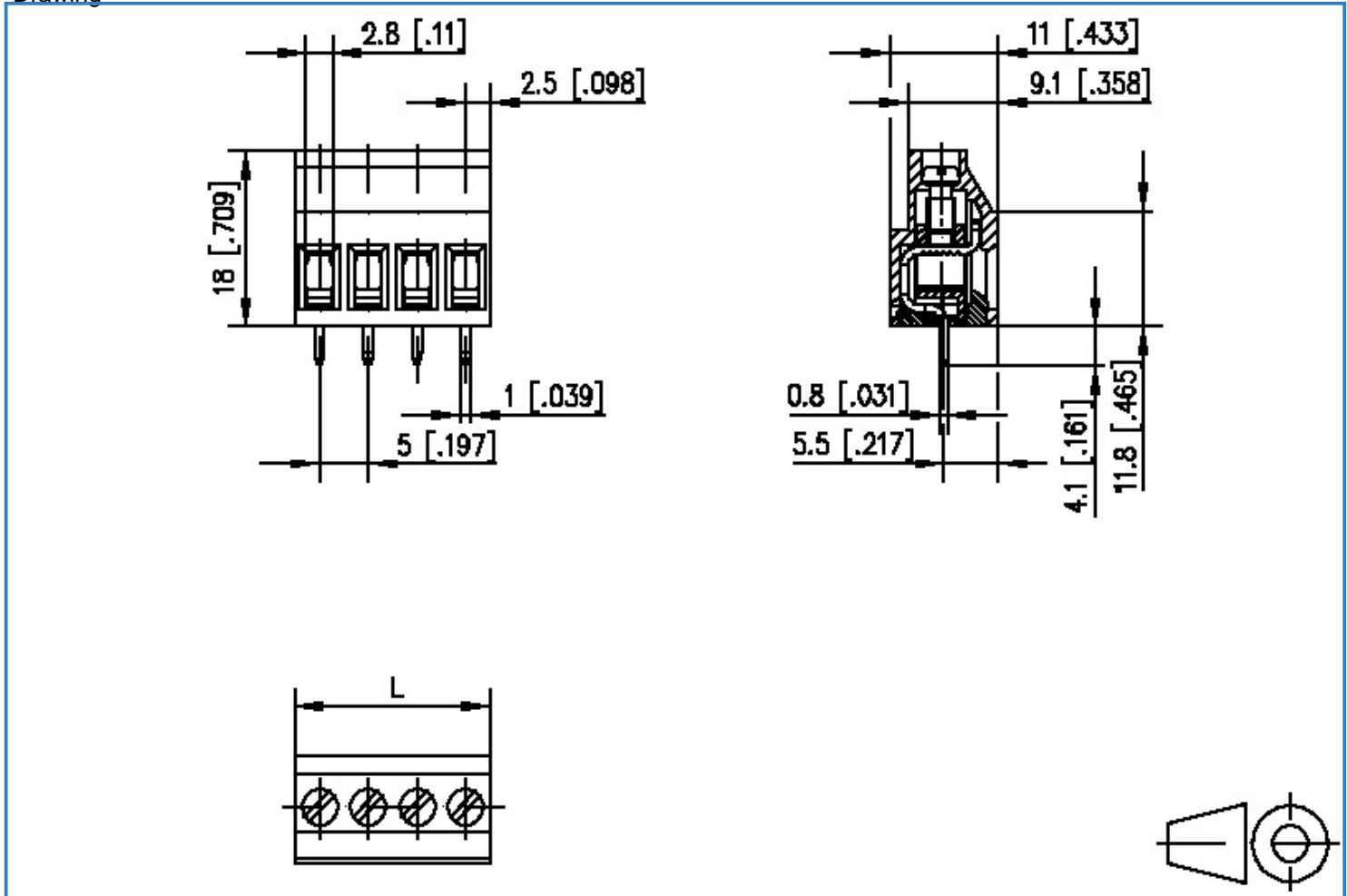
310711xx

xx=number of poles

2013/12/05

Illustration

Drawing



$L = (\text{pole size} - 1) \times \text{centerline} + 5 [0.197]$



Data Sheet

RT025xxHBLC

Page 4/4

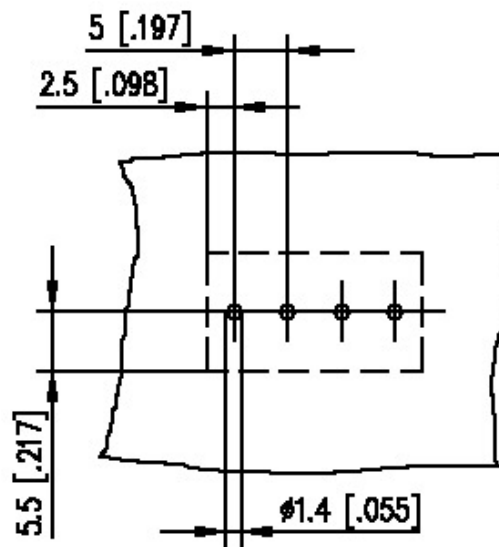
P/N

310711xx

xx=number of poles

2013/12/05

PCB Layout



X-ON Electronics

Largest Supplier of Electrical and Electronic Components

Click to view similar products for Metz manufacturer:

Other Similar products are found below :

[142M4D95050](#) [ASP0631006](#) [4898-454G](#) [4895-454G](#) [4887-454G](#) [4897-454G](#) [ASP0460622](#) [142M2X25005](#) [ASP0440222](#) [1108861321](#)
[1108311319](#) [1108501319](#) [11089313](#) [834HTC-900ML](#) [130920-E](#) [150240C30610E](#) [110304412004](#) [1108831326](#) [150240C30310S](#) [135015-](#)
[SSC-E](#) [1528SBGT19E](#) [1401110012KE](#) [142M2X15010](#) [11085813](#) [810-500](#) [810-50](#) [31336104](#) [ASP0430922](#) [SP06502VBNF](#) [31217103](#)
[142M1D19020](#) [SR99S01VBNN0001](#) [31213102](#) [31251104](#) [AST0820406](#) [1108811319](#) [142M2XB5050](#) [834B-375ML](#) [841ER-1.17L](#)
[31009105](#) [31020205](#) [31024102](#) [31027103](#) [31383106](#) [130922-03-E](#) [130924-E](#) [11027605](#) [1108841319](#) [1108341319](#) [15024AD206-E](#)