

Features

1 or 2 Pole 16 A Step relays for direct 35 mm rail (EN 60715) mounting

- 17.4 mm wide
- Test button with mechanical indicators
- Choice of 6 switching sequences
- AC coils and DC coils
- Identification label
- Possible to connect illuminated push buttons with the additional part 026.00
- 35 mm rail (EN 60715) mount
- Cadmium free contact material

20.21/22/24/26/28/23
Screw terminal



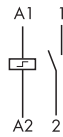
For outline drawing see page 3

FOR UL RATINGS SEE:
"General technical information" page V

20.21



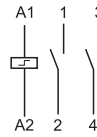
- Single phase switch 1 NO (SPST-NO)
- 35 mm rail (EN 60715) mount



20.22, 24, 26, 28



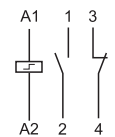
- Double phase switch
- 35 mm rail (EN 60715) mount



20.23



- Double phase switch 1NO+1NC (SPST-NO+SPST-NC)
- 35 mm rail (EN 60715) mount



Contact specification

| | | | |
|--|----------------|----------------|---------------------------|
| Contact configuration | 1 NO (SPST-NO) | 2 NO (DPST-NO) | 1NO+1NC (SPST-NO+SPST-NC) |
| Rated current/Maximum peak current A | 16/30 | 16/30 | 16/30 |
| Rated voltage/Maximum switching voltage V AC | 250/400 | 250/400 | 250/400 |
| Rated load AC1 VA | 4,000 | 4,000 | 4,000 |
| Rated load AC15 (230 V AC) VA | 750 | 750 | 750 |
| Nominal lamp rating: 230V incandescent/halogen W | 2,000 | 2,000 | 2,000 |
| fluorescent tubes with electronic ballast W | 1,000 | 1,000 | 1,000 |
| fluorescent tubes with electromechanical ballast W | 750 | 750 | 750 |
| CFL W | 400 | 400 | 400 |
| 230V LED W | 400 | 400 | 400 |
| LV halogen or LED with electronic ballast W | 400 | 400 | 400 |
| LV halogen or LED with electromechanical ballast W | 800 | 800 | 800 |
| Minimum switching load mW (V/mA) | 1,000 (10/10) | 1,000 (10/10) | 1,000 (10/10) |
| Standard contact material | AgNi | AgNi | AgNi |

Coil specification

| | | | |
|---|--|---------------------------|---------------------------|
| Nominal voltage (U _N) V AC (50/60 Hz) | 8 - 12 - 24 - 48 - 110 - 120 - 230 - 240 | | |
| V DC | 12 - 24 - 48 - 110 | 12 - 24 - 48 - 110 | 12 - 24 - 48 - 110 |
| Rated power AC/DC VA (50 Hz)/W | 6.5/5 | 6.5/5 | 6.5/5 |
| Operating range AC | (0.85...1.1)U _N (50 Hz)/(0.9...1.1)U _N (60 Hz) | | |
| DC | (0.9...1.1)U _N | (0.9...1.1)U _N | (0.9...1.1)U _N |

Technical data

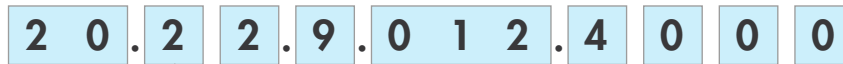
| | | | |
|--|---------------------------------|-----------------------|-----------------------|
| Mechanical life AC/DC cycles | 300 · 10 ³ | 300 · 10 ³ | 300 · 10 ³ |
| Electrical life at rated load in AC1 cycles | 100 · 10 ³ | 100 · 10 ³ | 100 · 10 ³ |
| Minimum/Maximum impulse duration | 0.1s/1h (according to EN 60669) | | |
| Insulation between coil and contacts (1.2/50 μs)kV | 4 | 4 | 4 |
| Ambient temperature range °C | -40...+40 | -40...+40 | -40...+40 |
| Protection category | IP 20 | IP 20 | IP 20 |

Approvals (according to type)



Ordering information

Example: 20 series relay, 35 mm rail (EN 60715) mount, double phase switch, 2 NO (DPST-NO) 16 A contacts, coil rated at 12 V DC, AgSnO₂ contacts.



Series _____
Type _____
 2 = 35 mm rail (EN 60715) mount

No. of poles _____
 1 = Single phase switch 1 NO (SPST-NO)
 2 = Double phase switch 2 NO (DPST-NO)
 3 = Double phase switch 1 NC+1 NO (SPST-NO+SPST-NC)
 4 = 4 sequence double phase switch 2 NO (DPST-NO)
 6 = 3 sequence double phase switch 2 NO (DPST-NO)
 8 = 4 sequence double phase switch 2 NO (DPST-NO)

Contact material
 0 = AgNi standard
 4 = AgSnO₂
Coil voltage
 See coil specifications
Coil version
 8 = AC (50/60 Hz)
 9 = DC

Technical data

| Insulation | | | | | |
|---|-----------------|---------------------------|----------------|---------------------------|----------------|
| Dielectric strength | | | | | |
| between supply and contacts | V AC | 3,500 | | | |
| between open contacts | V AC | 2,000 | | | |
| between adjacent contacts | V AC | 2,000 | | | |
| Other data | | | | | |
| Power lost to the environment | | | | | |
| with rated current and coil deenergised | W | 1.3 (20.21, 20.23, 20.28) | | 2.6 (20.22, 20.24, 20.26) | |
| ⊕ Screw torque | Nm | 0.8 | | 0.8 | |
| Max. wire size | mm ² | Coil terminals | | Contact terminals | |
| | | solid cable | stranded cable | solid cable | stranded cable |
| | | 1x4 / 2x2.5 | 1x2.5 / 2x2.5 | 1x6 / 2x4 | 1x4 / 2x2.5 |
| | | AWG 1x12 / 2x14 | 1x14 / 2x14 | 1x10 / 2x12 | 1x12 / 2x14 |

If the coil is operated for a prolonged period of time, adequate ventilation of the relays must be provided - suggested gap of 9 mm between adjacent relays.

Coil specifications

DC version data

| Nominal voltage U _N V | Coil code | Operating range | | Resistance R Ω | Consumption I at U _N mA |
|--|-----------|-----------------------|-----------------------|----------------------|--|
| | | U _{min} V | U _{max} V | | |
| 12 | 9.012 | 10.8 | 13.2 | 27 | 440 |
| 24 | 9.024 | 21.6 | 26.4 | 105 | 230 |
| 48 | 9.048 | 43.2 | 52.8 | 440 | 110 |
| 110 | 9.110 | 99 | 121 | 2,330 | 47 |

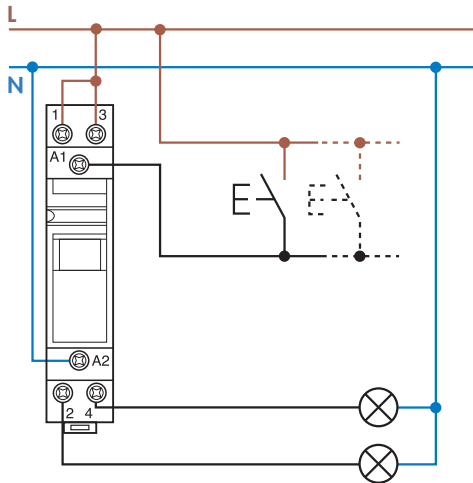
AC version data

| Nominal voltage U _N V | Coil code | Operating range | | Resistance R Ω | Consumption I at U _N (50 Hz) mA |
|--|-----------|-----------------------|-----------------------|----------------------|---|
| | | U _{min} V | U _{max} V | | |
| 8 | 8.008 | 6.8 | 8.8 | 4 | 800 |
| 12 | 8.012 | 10.2 | 13.2 | 7.5 | 550 |
| 24 | 8.024 | 20.4 | 26.4 | 27 | 275 |
| 48 | 8.048 | 40.8 | 52.8 | 106 | 150 |
| 110 | 8.110 | 93.5 | 121 | 590 | 64 |
| 120 | 8.120 | 102 | 132 | 680 | 54 |
| 230 | 8.230 | 196 | 253 | 2,500 | 28 |
| 240 | 8.240 | 204 | 264 | 2,700 | 27.5 |

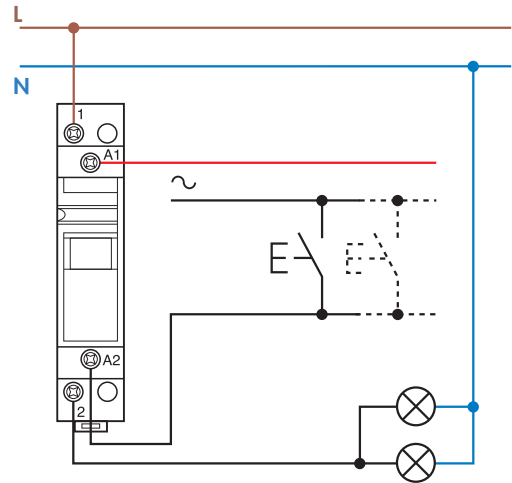
| Type | Number of steps | Sequence | | | |
|-------|-----------------|----------|---|---|---|
| | | 1 | 2 | 3 | 4 |
| 20.21 | 2 | | | | |
| 20.22 | 2 | | | | |
| 20.23 | 2 | | | | |
| 20.24 | 4 | | | | |
| 20.26 | 3 | | | | |
| 20.28 | 4 | | | | |

K

Wiring diagrams



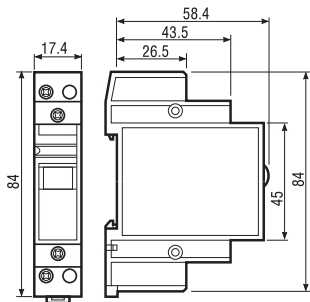
Example: 230 V AC supply voltage.



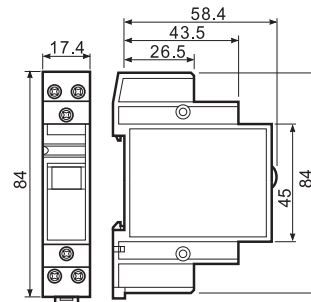
Example: 24 V AC supply voltage.

Outline drawings

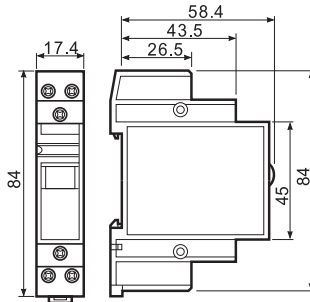
20.21
Screw terminal



20.22 / 24 / 26 / 28
Screw terminal



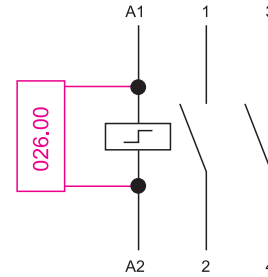
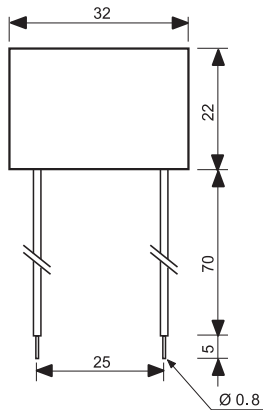
20.23
Screw terminal



K

Accessories

Module for use with illuminated push-buttons



Type 026.00
Sealed construction, 7.5 cm insulated flexible wire termination.

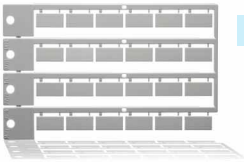
Example of wiring diagram of type 026.00
This module is necessary when using between 1 and a maximum of 15 illuminated push buttons in the coil circuit (Each 1.5 mA max, 230 V AC). It must be connected in parallel to the coil of the relay.



020.01

Adaptor for panel mounting, 17.5 mm wide

020.01



020.24

Sheet of marker tags, plastic, 24 tags, 9x17 mm

020.24

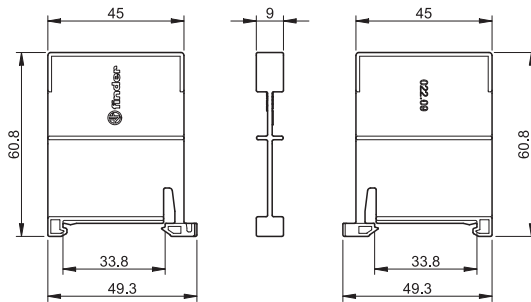


K

022.09

Separator for rail mounting, plastic, 9 mm wide

022.09



X-ON Electronics

Largest Supplier of Electrical and Electronic Components

Click to view similar products for [finder manufacturer](#):

Other Similar products are found below :

[66.82.8.230.0000](#) [72.01.8.240.0000](#) [14.81.8.230.0000](#) [20.23.8.012.4000](#) [22.22.9.012.4000](#) [22.34.0.024.4340](#) [22.34.0.024.4720](#)
[22.64.0.230.4310](#) [20.21.8.024.4000](#) [20.22.8.024.4000](#) [20.28.8.024.4000](#) [22.22.8.024.4000](#) [22.32.0.230.4440](#) [26.06.8.024.0000](#)
[40.52.8.006.0000](#) [44.52.9.060.0000](#) [10.42.8.230.0000](#) [11.42.8.230.0000](#) [72.01.9.024.0000](#) [88.02.0.230.0002](#) [96.04SMA](#) [55.12.8.024.0000](#)
[55.33.8.230.0000](#) [56.34.9.024.0000T](#) [96.14SMA](#) [39.11.0.006.0060](#) [55.14.8.024.0000](#) [40.31.8.240.0000](#) [66.22.8.230.1300](#) [72.11.8.024.0000](#)
[71.51.8.230.1021](#) [4CP281100060SPA](#) [18.21.8.230.0300](#) [50.14.9.024.4310](#) [62.23.9.012.0300](#) [7S.16.9.012.0420](#) [12.11.8.230.1000](#)
[22.22.9.048.4000](#) [22.64.0.230.4710](#) [26.08.8.012.0000](#) [20.21.8.012.4000](#) [20.23.9.110.4000](#) [20.26.8.230.4000](#) [22.34.0.230.4340](#)
[22.34.0.230.4620](#) [22.34.0.230.4720](#) [22.44.0.230.4710](#) [10.61.8.230.0000](#) [55.14.9.012.0000](#) [22.32.0.012.4420](#)