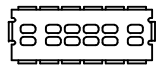
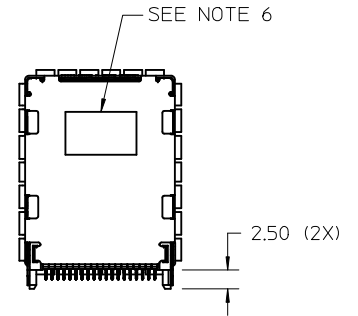
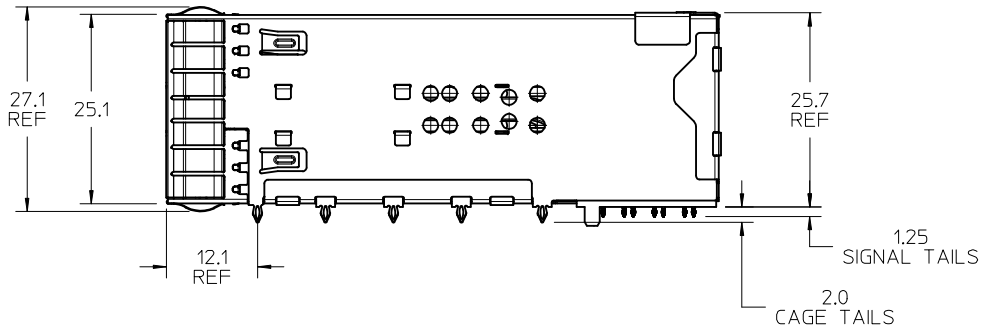
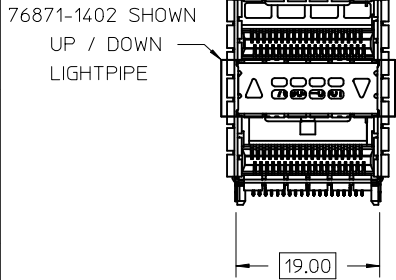
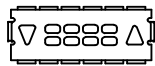


NOTES

- MATERIALS
 - CAGE: NICKLE SILVER, 0.25 THICK
 - SPRING FINGERS: PHOS. BRONZE, 0.10 THICK
 - CONNECTOR HOUSING: HIGH PERFORMANCE THERMOPLASTIC, 94V-0
 - TERMINALS: HIGH PERFORMANCE COPPER ALLOY, 0.18 THICK
- FINISH
 - SPRING FINGERS: 100µm NICKEL OVERALL
 - TERMINALS: CONTACT AREA: 0.76µm MIN GOLD OVER 2.5µm MIN NICKEL
 - COMPLIANT AREA: 0.76-1.52µm MATTE TIN OVER 1.27µm MIN NICKEL
- ALL SURFACES TO BE CLASS "C" OR BETTER PER MOLEX COSMETIC SPECIFICATION PS-45499-002
- REFER TO PK-76871-9001 FOR PACKAGING INFORMATION
- CONNECTOR INTENDED TO MATE WITH CABLE PLUG SERIES 74757 AND 74758
- DATE CODE LOCATION SHOWN. DATE CODE FORMAT: DDD Y
DDD = DAY OF THE YEAR, Y = YEAR



76871-1401
AIRFLOW ONLY
NO LIGHTPIPE



76871-1403
DOWN / UP
LIGHTPIPE

PART NUMBER	AIRFLOW / LIGHTPIPE OPTION
768711401	AIRFLOW ONLY, NO LIGHTPIPE
768711402	UP / DOWN LIGHTPIPE INDICATOR
768711403	DOWN / UP LIGHTPIPE INDICATOR

ADDED PIN ASSIGNMENT LABELS EC NO: UCP2014-1018 DRWN:HAVERY 2013/09/03 CHKD: APPR:MBANAKIS 2013/09/04	QUALITY SYMBOLS	GENERAL TOLERANCES (UNLESS SPECIFIED)	DIMENSION STYLE	SCALE	DESIGN UNITS	THIRD ANGLE PROJECTION
	▽=0	mm INCH	MM ONLY	2:1	METRIC	
	▽=0	4 PLACES ± --- ± ---	DRAWN BY DATE	TITLE		
	▽=0	3 PLACES ± --- ± ---	JKACHLIC 2012/08/09	QSFP+ 2X1 W/EMI SPRINGS		
	2 PLACES ±0.13 ± ---	CHECKED BY DATE	APPROVED BY DATE MBANAKIS 2012/08/22			
	1 PLACE ±0.25 ± ---					
	0 PLACE ± --- ± ---		MATERIAL NO.	DOCUMENT NO.	SHEET NO. 1 OF 3	
	ANGULAR ±1/2°	DRAFT WHERE APPLICABLE MUST REMAIN WITHIN DIMENSIONS	SEE CHART	SD-76871-1400 THIS DRAWING CONTAINS INFORMATION THAT IS PROPRIETARY TO MOLEX INCORPORATED AND SHOULD NOT BE USED WITHOUT WRITTEN PERMISSION		

∅1.05±0.05 (10X)
FINISH HOLE

⊕ ∅0.08 (M) B C

∅2.50±0.05 (2X)
DRILL HOLE

⊕ ∅0.08 (M) B C

FRONT EDGE OF BOARD

B

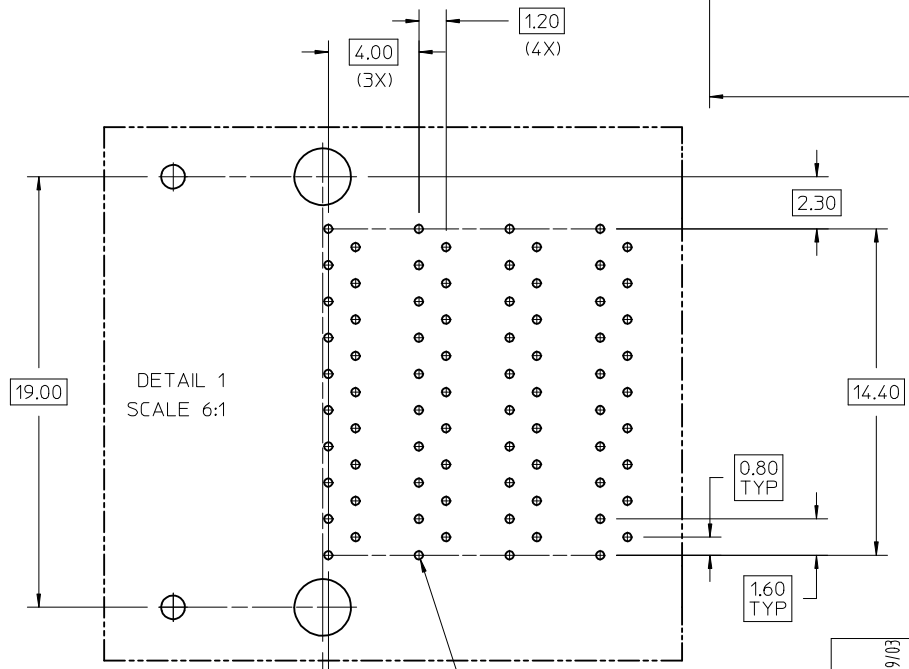
19.00

C

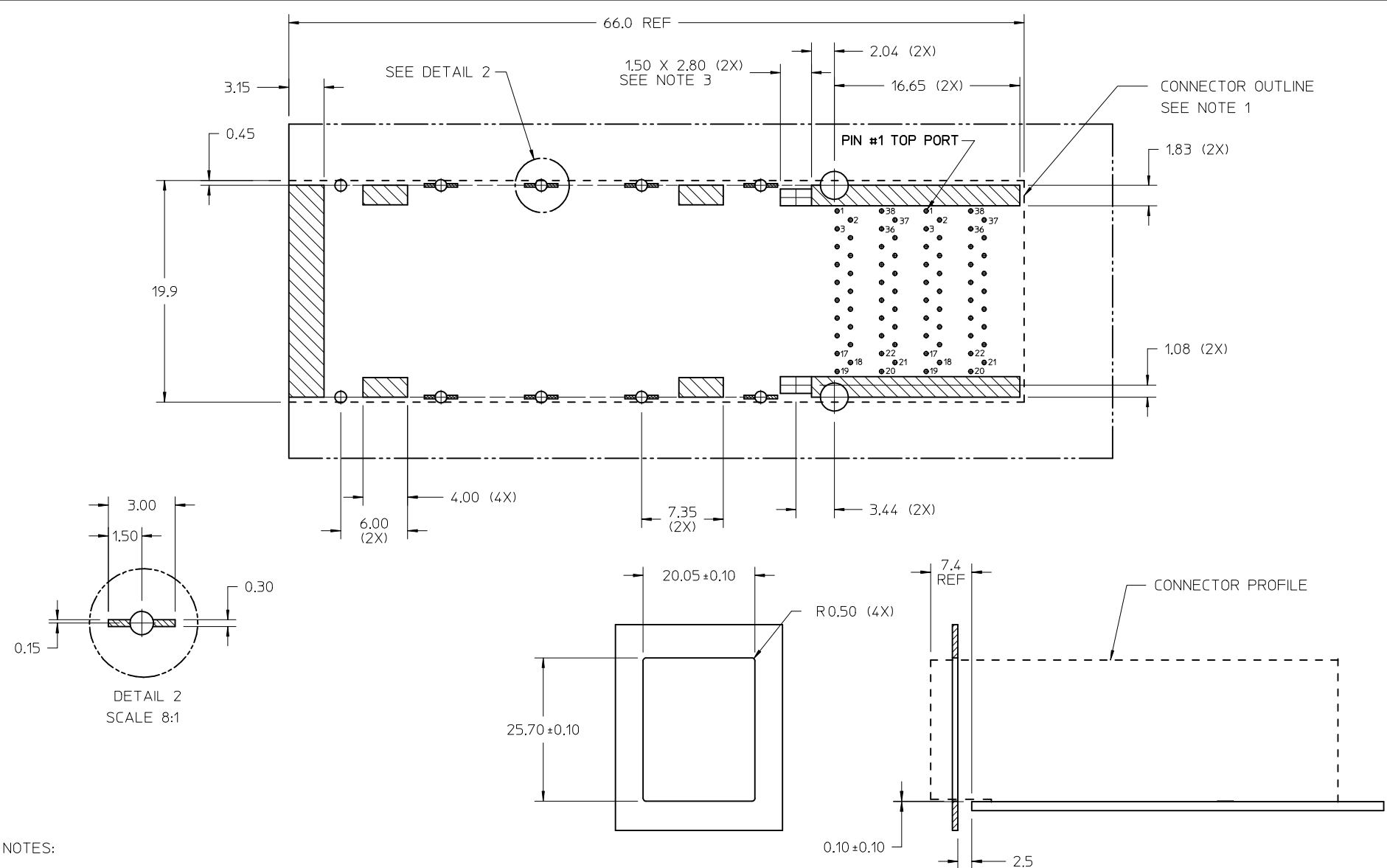
9.00 (3X) 10.70 6.60

48.95±0.10

SEE DETAIL 1



SEE SHEET 1 EC NO: UCP2014-1018 DRAWN BY: DRWINHAVERY 2013/09/03 CHKD: APPR: MBANAKIS 2013/09/04	QUALITY SYMBOLS	GENERAL TOLERANCES (UNLESS SPECIFIED)		DIMENSION STYLE	SCALE	DESIGN UNITS	THIRD ANGLE PROJECTION
	▽=0	mm	INCH	MM ONLY	4:1	METRIC	
	▽=0	4 PLACES ± ---	± ---	DRAWN BY: JKACHLIC DATE: 2012/08/09 CHECKED BY: DATE: APPROVED BY: MBANAKIS DATE: 2012/08/22 MATERIAL NO. SEE CHART DOCUMENT NO. SD-76871-1400	TITLE		QSF+ 2X1 W/EMI SPRINGS molex SHEET NO. 2 OF 3
	▽=0	3 PLACES ± ---	± ---		TITLE		
▽=0	2 PLACES ± 0.13	± ---	TITLE				
	1 PLACE ± 0.25	± ---	TITLE				
	0 PLACE ± ---	± ---	ANGULAR ±1/2°				
DRAFT WHERE APPLICABLE MUST REMAIN WITHIN DIMENSIONS			SIZE		THIS DRAWING CONTAINS INFORMATION THAT IS PROPRIETARY TO MOLEX INCORPORATED AND SHOULD NOT BE USED WITHOUT WRITTEN PERMISSION		



NOTES:

1. THE ENTIRE AREA UNDER THE CONNECTOR IS A COMPONENT KEEP-OUT ZONE
2. CROSS HATCHED AREAS INDICATE PLACES WHERE THE PLASTIC HOUSING AND METAL CAGE MAY BE IN CONTACT WITH THE PCB SURFACE. THESE AREAS ARE TRACE KEEP-OUT ZONES
3. THESE 2 RECTANGULAR ZONES ARE FOR LED PLACEMENT. LED HEIGHT SHOULD NOT EXCEED 0.8 AND PLACEMENT SHOULD BE CENTERED WITHIN THIS LED KEEP-IN ZONE
4. RECOMMENDED LED CHIP PACKAGE SIZE IS 0805

PANEL OPENING REQUIREMENTS

SEE SHEET 1 EC NO: UCP2014-1018 DRWN:HAVERY 2013/09/03 CHKD: MBANAKIS 2013/09/04 APPR:MBANAKIS	DESCRIPTION REV: B	QUALITY SYMBOLS	GENERAL TOLERANCES (UNLESS SPECIFIED)	DIMENSION STYLE MM ONLY	SCALE 2:1	DESIGN UNITS METRIC	THIRD ANGLE PROJECTION	
		▽=0	mm INCH	DRAWN BY JKACHLIC	DATE 2012/08/09	TITLE QSFP+ 2X1 W/EMI SPRINGS		
		▽=0	4 PLACES ± --- ± ---	CHECKED BY	DATE			
		▽=0	3 PLACES ± --- ± ---	APPROVED BY MBANAKIS	DATE 2012/08/22			
		2 PLACES ± 0.13 ± ---	MATERIAL NO.		DOCUMENT NO.	SHEET NO.		
		1 PLACE ± 0.25 ± ---	DRAFT WHERE APPLICABLE MUST REMAIN WITHIN DIMENSIONS		SEE CHART SD-76871-1400		3 OF 3	
		0 PLACE ± --- ± ---	SIZE C THIS DRAWING CONTAINS INFORMATION THAT IS PROPRIETARY TO MOLEX INCORPORATED AND SHOULD NOT BE USED WITHOUT WRITTEN PERMISSION					

X-ON Electronics

Largest Supplier of Electrical and Electronic Components

Click to view similar products for [Modular Connectors](#) / [Ethernet Connectors](#) category:

Click to view products by [Molex](#) manufacturer:

Other Similar products are found below :

[RJE231881317T](#) [MP1010RX-1000](#) [MP44RX-1000](#) [GAX-3-66](#) [GAX-8-62](#) [93606-0253](#) [GD-A-44](#) [GDCX-PA-66-50](#) [GDCX-PN-64](#) [GDCX-PN-66](#) [GDCX-PN-66-50](#) [GDLX-A-66](#) [GDLX-A-88](#) [GDLX-N-66](#) [GDLX-S-88K](#) [GDTX-S-88-50](#) [GDX-PA-1010](#) [GLX-N-1010M-BLK](#) [GLX-N-44M](#) [GLX-S-88M-BLK](#) [GMX-N-1010](#) [GMX-S-1010](#) [GMX-S-66](#) [GMX-SMT2-N-1010](#) [GMX-SMT2-N-64-50](#) [GMX-SMT2-S6-88](#) [GMX-SMT4-N-88](#) [GPX-2-64](#) [GRT1-BT1-5](#) [GSGX-N-2-88](#) [GSX-NS2-88-3.05](#) [GSX-NS2-88-3.05-50](#) [GSX-NS-88-3.05-30](#) [GSX-NS-88-3.05-50](#) [GSX-NS-88-3.68](#) [1-1775629-2](#) [GWLX-S-88-GR](#) [GWLX-S9-88-YG](#) [1300500326](#) [1300500227](#) [1300530003](#) [1300570002](#) [1324640-4](#) [RJ11FTVC2G](#) [RJ11FTVC2N](#) [RJFTVX2SA1G](#) [132764-001](#) [1400000](#) [1413176](#) [1413235](#)