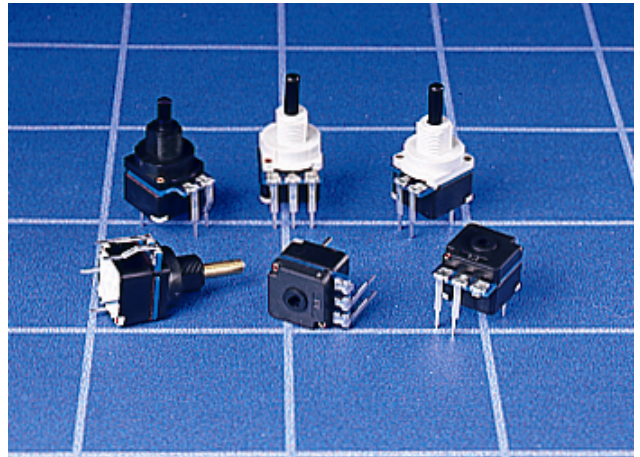


MDSP PUSH BUTTON DIMMER SWITCHES

GENERAL ELECTRICAL & MECHANICAL SPECIFICATION

Switch Rating:	10A @ 250Vac (resistive)
Life:	>25,000 Cycles
Operating Temperature:	-25 ° C to +100 ° C
Proof Voltage:	2,500Vac (Initial)
Insulation Resistance:	>999 MΩ @ 500Vdc (Initial)
Resistance Values:	10K – 1.5MΩ
Track Rating:	0.2W
Resistance Curve:	Linear
Switch Function:	1- pole changeover
Switch Travel:	3mm
Switch Operation Force:	15N (Nominal)
Rotational angle:	270°
Operating Torque:	0.2-0.6Ncm (Standard) 0.8-1.5Ncm (Tactile version)
End Stop Torque:	40Ncm (minimum)
Fixing Nut Torque:	1.1Nm (maximum)
Perm. Axial Load:	50N (maximum)
Spindle:	Polyamide 6.6 G.F. HB Rated
Housing:	Polyamide 6.6 G.F. V0 Rated
Terminals:	Switch: Brass CZ108 Sn Plated. Potentiometer : Mild Steel Sn plated

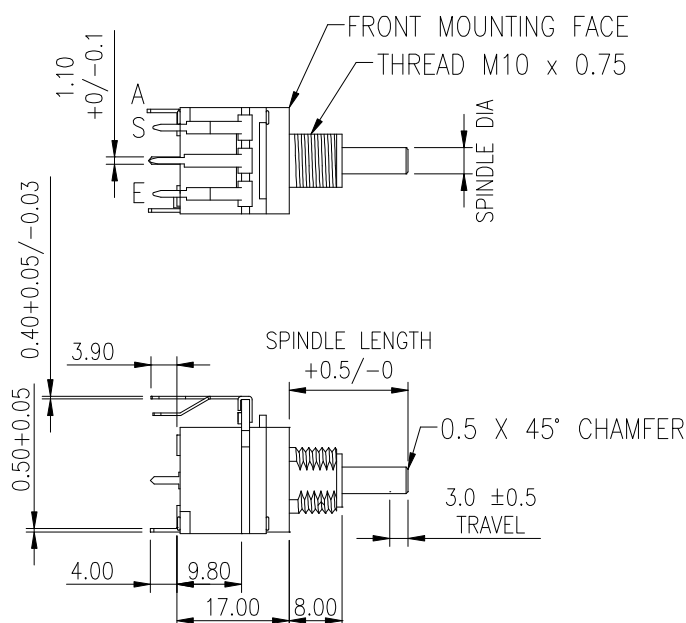
RoHS COMPLIANT



Approved to EN61058 by VDE, SEMKO, NEMKO, DEMKO, FEMKO.

GENERAL FEATURES

- Made in UK.
- Push-Push switches with rotary potentiometer in common housing.
- Printed circuit terminals.
- Used in domestic lighting dimmer controls.
- Moulded components are in UL 94V-0 rated materials.
- Wide range of resistance values available.
- **Options also available include:-**
 - Ø4.0 Metal spindle
 - Tactile Feel version (7.5° Index)
 - Alternate Switch forces available
 - AS & ES Termination available
 - Non-Linear
 - M10 x 1.0mm Bush Thread

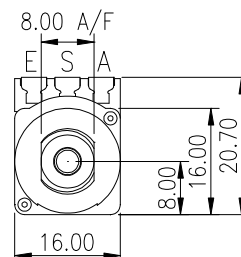


SPINDLE SIZES AVAILABLE

- 1 = Ø4.0 +0/-0.03
- 2 = Ø6.0 +0.00/-0.03

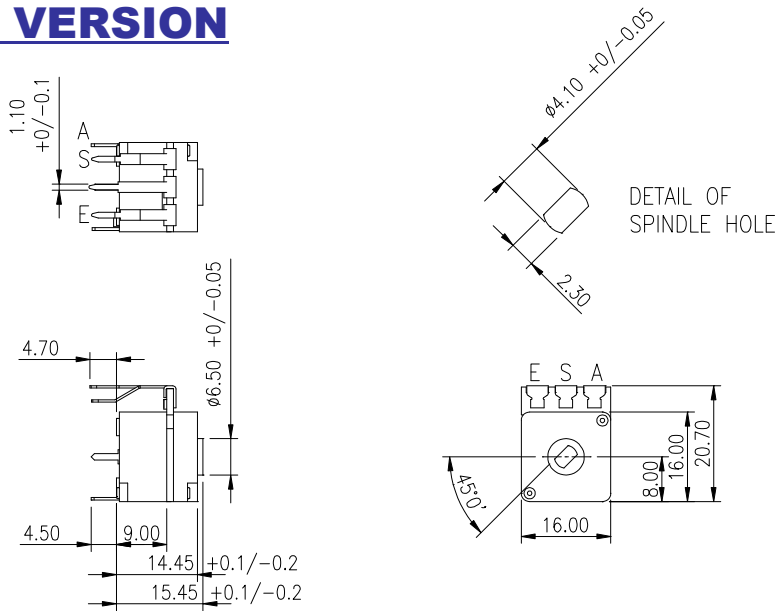
CLOCKWISE ROTATION

- 0 – max Ohms = AS
- Max – 0 Ohms = ES

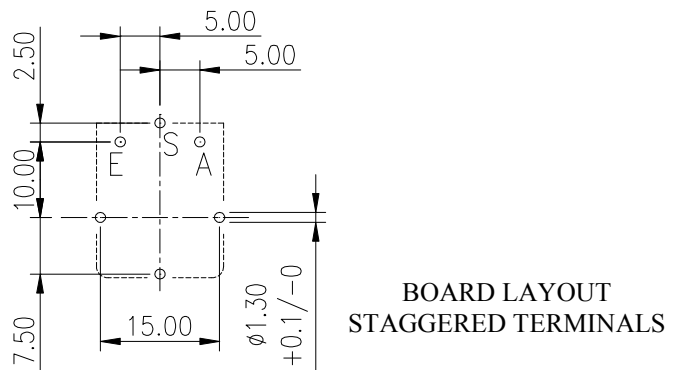
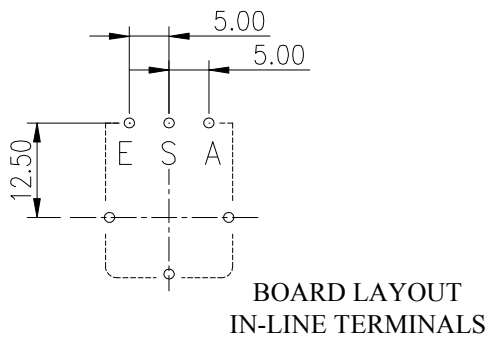


MDSP PUSH BUTTON DIMMER SWITCHES

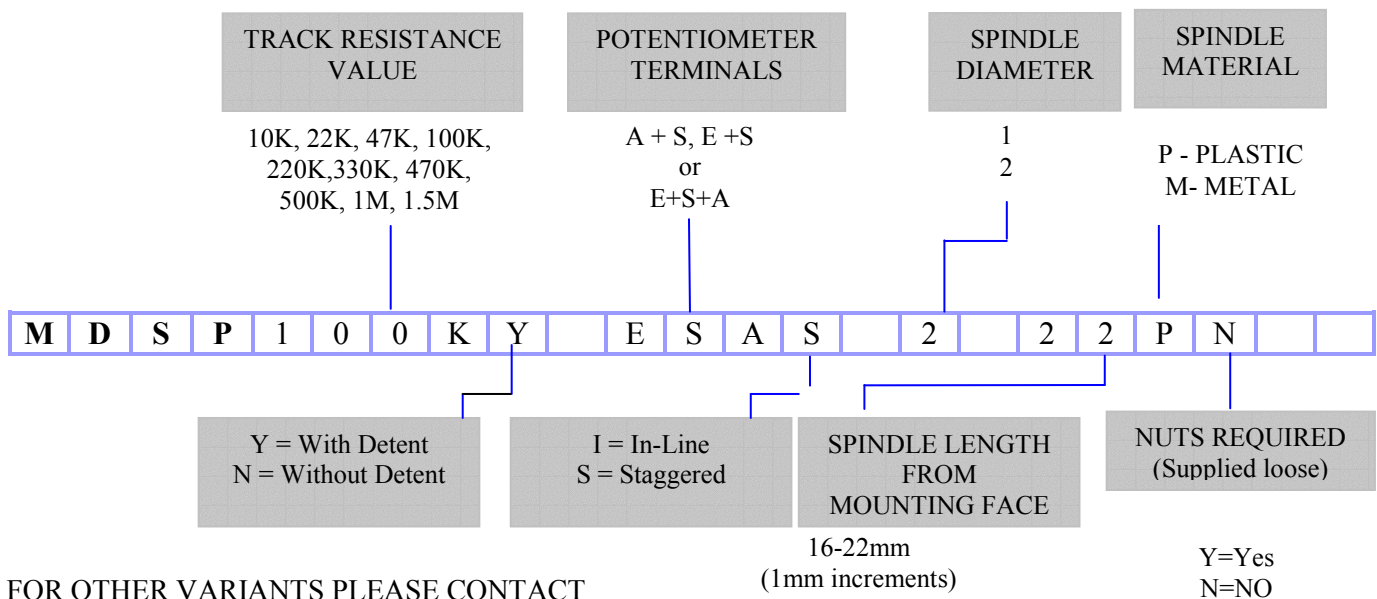
NO BUSH VERSION



TYPICAL PCB LAYOUT



ORDERING CODE



FOR OTHER VARIANTS PLEASE CONTACT OUR SALES OFFICE.

X-ON Electronics

Largest Supplier of Electrical and Electronic Components

Click to view similar products for [lorlin](#) manufacturer:

Other Similar products are found below :

[CK1036](#) [CKS1458](#) [SRL020](#) [IRL-5-K-S-2](#) [SDS9Z](#) [MTS-11-80](#) [CK1453](#) [SKL-12-A-S-2](#) [CKS1027](#) [WRLM-5-T-S](#) [BCKS1004](#) [CK1025](#)
[CK1043](#) [IRL-5-M-S-2](#) [SDP50Z](#) [CKS1052](#) [GCK1022](#) [CK1061](#) [CK1589](#) [CK1460](#) [CK2404](#) [WRLM-5-Q-S](#) [CK1592](#) [BCK1006](#) [BCK1019](#)
[GCK1023](#) [CK1451](#) [GCK1026](#) [406817F](#) [CK1032](#) [CK1457](#) [CK1456](#) [CK1042](#) [BCK1020](#) [CK1062](#) [CKAEAA1500](#) [CK1461](#) [SRL-5-E-S-2](#)
[CK2379](#) [CKF1059](#) [CK1455](#) [SDP37Z](#) [CK2378](#) [MDSP220KN-ESAI-2-19PY](#) [CK1450](#) [RMS1100](#) [CK1035](#) [CK1454](#) [CK1055](#) [SDS37Z](#)