

# Data Sheet

## RP025xxIBWC

Page 1/4

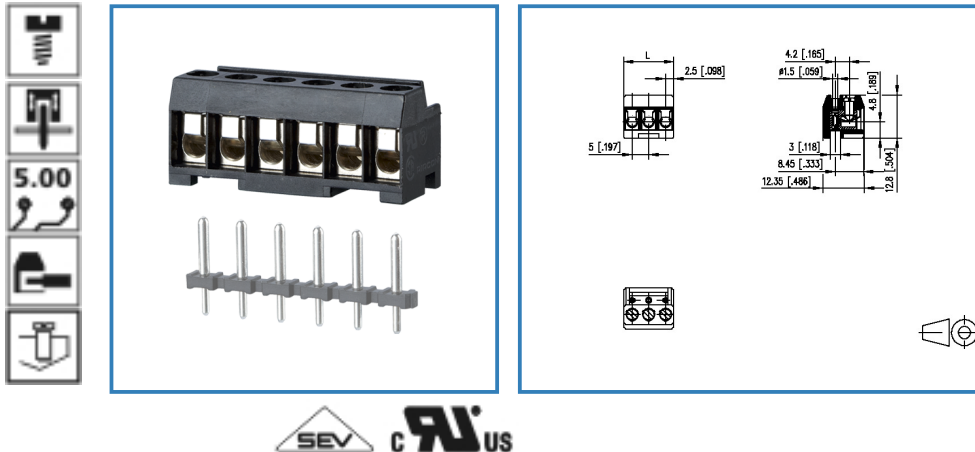
P/N

310071xx

xx=number of poles

2013/12/05

### Illustration



see enlarged drawing at the end of the document

### Product specification

- screw type terminal block, pluggable
- centerline 5.00 mm, direction of connection 90°
- wire protector, fittable without loss of poles
- color black
- wire entry perpendicular to plug direction, lamella
- Connection data

**CULUS** V / A / AWG 300 / 15 / 22 - 12

**SEV** 10 A / 250 V / 2.5 kV / 3 / IEC 61984 / 0.33 - 2.5 mm<sup>2</sup>



# Data Sheet

## RP025xxIBWC

Page 2/4

P/N

310071xx

xx=number of poles



2013/12/05

### Technical Data

#### General Data

Tightening torque SEV	0.5 Nm		
Tightening torque UL	7 lb-in		
min. number of poles	2		
max. number of poles	24		
Insulating material class	CTI 600		
clearance/creepage dist.	2.3 mm		
protection category	IP 20		
Overvoltage category	III	III	II
Pollution degree	3	2	2
Rated voltage	160 V	400 V	400 V
Rated test voltage	2.5 kV	2.5 kV	2.5 kV

#### Connection data

extended wiring UL	Wire range extended to No. 30 AWG for factory-wiring. Two same size wires No. 22-16 AWG Cu, Sol/Str for field-wiring; No. 30-16 AWG Cu Sol/Str factory-wiring.		
 V / A / AWG	300 / 15 / 22 - 12		
	10 A / 250 V / 2.5 kV / 3 / IEC 61984 / 0.33 - 2.5 mm <sup>2</sup>		

#### Material

insulating material	PA66
flammability class	V0
terminal body material	CuZn
terminal body surface	Cu + Ni
screw surface	Zn Cr(VI)-frei/free
wire protector material	CuSn
wire protector surface	Sn
screw thread	M3

#### Climatic properties

upper limit temperature	105 °C
lower limit temperature	-40 °C

#### General

Tolerance	ISO 2768 -mH
-----------	--------------

# Data Sheet

## RP025xxIBWC

Page 3/4

P/N

310071xx

xx=number of poles

2013/12/05

### Matching Part

P/N	Product name
310171	PR015xxVBHC Typ 017
310271	PR015xxVBVC Typ 027
310391	PT055xxHBHC Typ 039
310411	PT065xxVBEN Typ 041
310421	PT075xxVBEN Typ 042
314171	PM035xxVBHC Typ 417

### Accessories

P/N	Product name
710084	710084
710085	710085
710121-2	710121
710122-2	710122
716846	716846



# Data Sheet

## RP025xxIBWC

Page 4/4

P/N

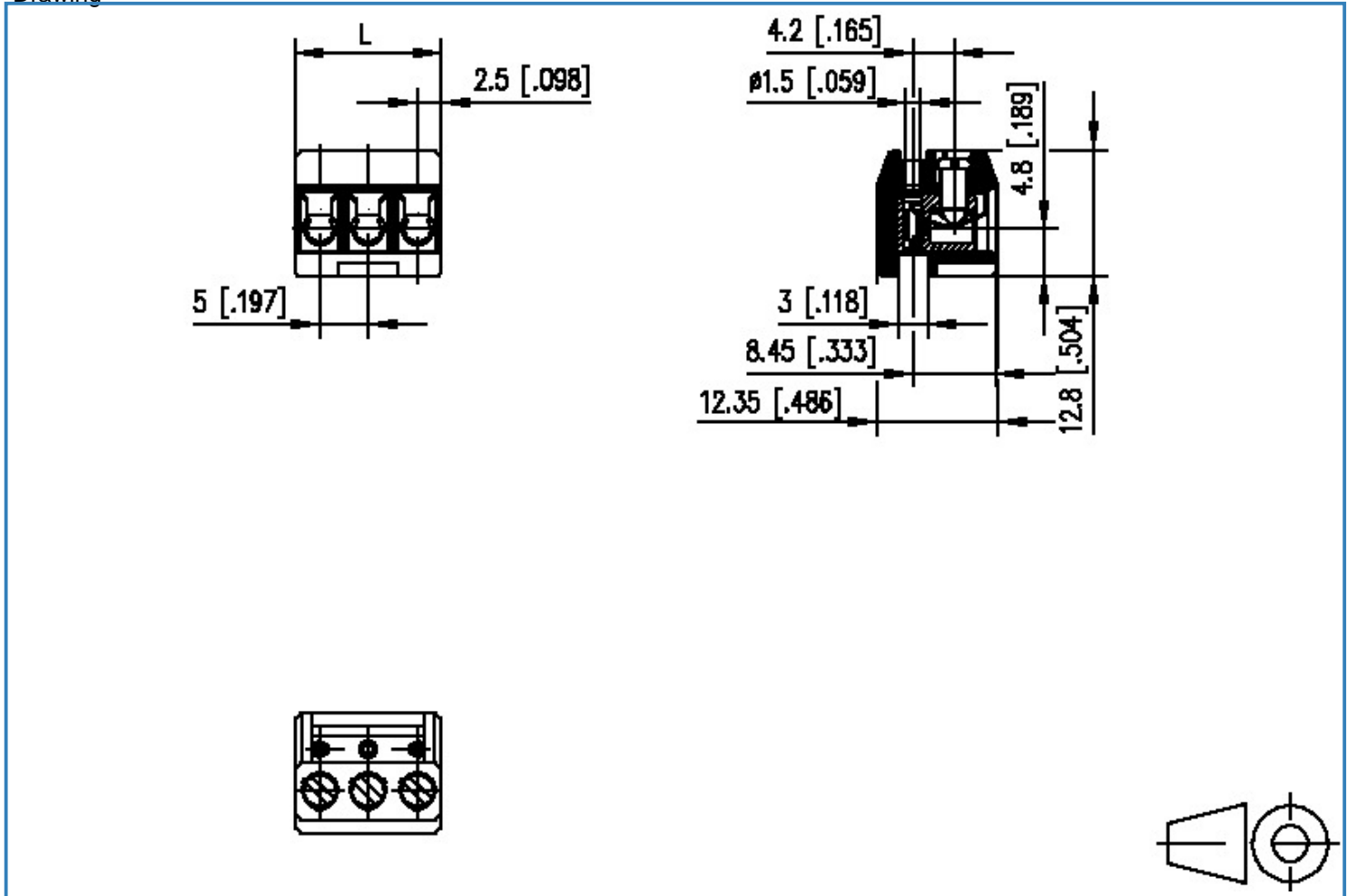
310071xx

xx=number of poles

2013/12/05

### Illustration

Drawing



$L = (\text{pole size} - 1) \times \text{centerline} + 5 [0.197]$



# X-ON Electronics

Largest Supplier of Electrical and Electronic Components

*Click to view similar products for Metz manufacturer:*

Other Similar products are found below :

[142M4D95050](#) [ASP0631006](#) [4898-454G](#) [4895-454G](#) [4887-454G](#) [4897-454G](#) [ASP0460622](#) [142M2X25005](#) [ASP0440222](#) [1108861321](#) [1108311319](#)  
[1108501319](#) [11089313](#) [834HTC-900ML](#) [130920-E](#) [150240C30610E](#) [110304412004](#) [1108831326](#) [150240C30310S](#) [135015-SSC-E](#) [1528SBGT19E](#)  
[1401110012KE](#) [142M2X15010](#) [11085813](#) [810-500](#) [810-50](#) [31336104](#) [ASP0430922](#) [SP06502VBNF](#) [31217103](#) [SR99S01VBNN0001](#) [31213102](#)  
[31251104](#) [AST0820406](#) [1108811319](#) [142M2XB5050](#) [834B-375ML](#) [841ER-1.17L](#) [31009105](#) [31020205](#) [31024102](#) [31027103](#) [31383106](#) [130922-](#)  
[03-E](#) [130924-E](#) [11027605](#) [1108841319](#) [1108341319](#) [15024AD206-E](#) [142M2X15030](#)