



FLOW



TEMPERATURE



HUMIDITY



CONDUCTIVITY

Out of Liquid Thermal Mass Flow Sensor

Optimal for various "out of liquid"-
flow applications

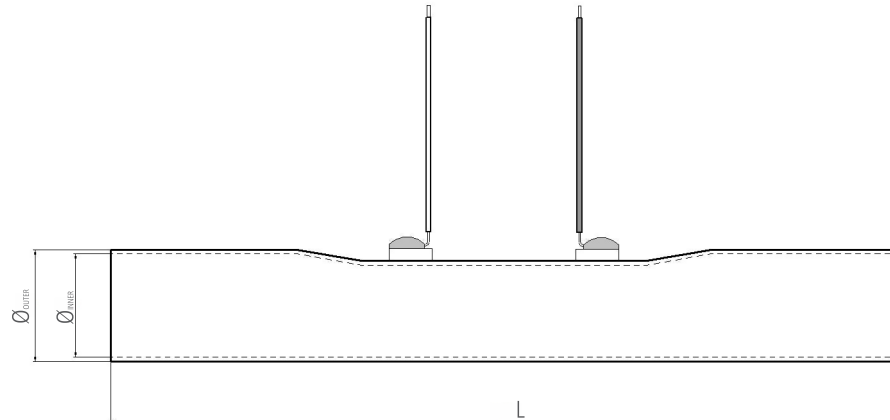


INNOVATIVE SENSOR TECHNOLOGY

Benefits & Characteristics

- Suitable for aggressive liquids
- No contact between sensor and liquid
- High chemical resistance
- Simple flow switches possible

Illustration¹⁾



1) For actual size, see dimensions

Technical Data

Tube dimensions (L x Ø _{OUTER} (x Ø _{INNER}) in mm):*	40 x 4 (x 3.8)
Operating temperature range:	-50 °C to +180 °C
Characteristics curve (TCR):	3850 ppm/K
Accuracy:	DIN EN 60751 (class C)
Sensor wire:*	Cu/Ag, stranded wire, PTFE insulated, AWG 30
Heater:*	R _H (0 °C) = 50 Ω ± 1 %
Temperature sensor:*	R _S (0 °C) = 1000 Ω ± 1 %
Sensor dimensions (L x W x H x LW in mm):	2.3 (±0.2) x 2 (±0.2) x 1.3 (±0.3) x 50 (±3)
Tube material:*	Stainless steel
Temperature dependency of resistivity (according to DIN 60751):	R(t) = R ₀ (1 + TCR x T)

* Customer specific alternatives available



FLOW



TEMPERATURE



HUMIDITY



CONDUCTIVITY

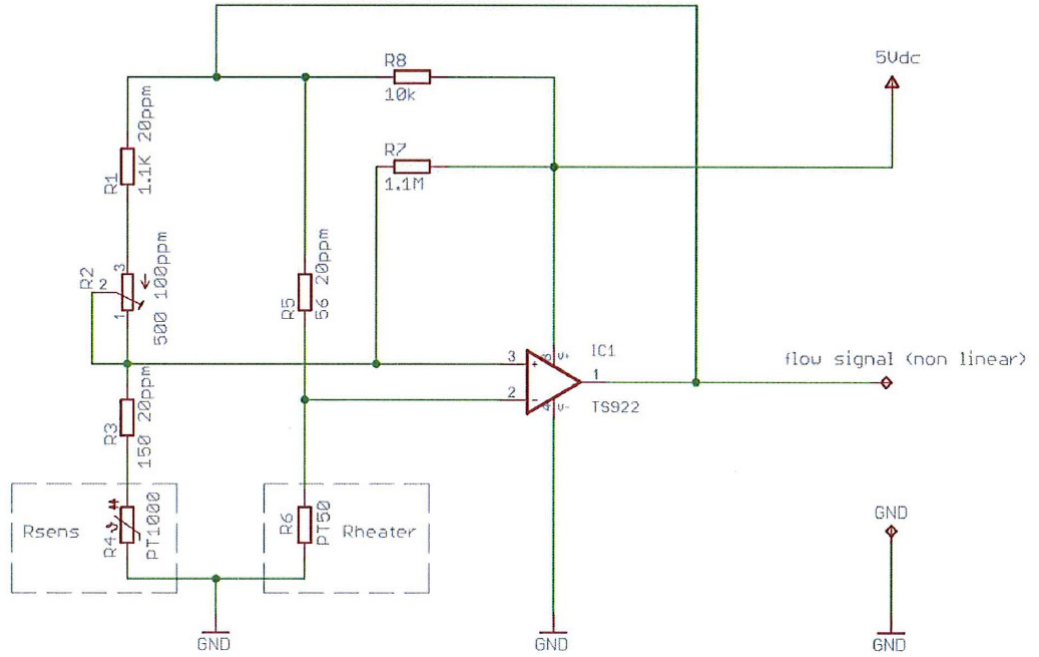
Out of Liquid Thermal Mass Flow Sensor

Optimal for various out of liquid flow applications



INNOVATIVE SENSOR TECHNOLOGY

Circuit Example



Order Information

Order code	P1K0/050.232.2K.C.050.M.U.S 310.00819
------------	--

Additional Electronics

Module:	Document name: DFOOL_Demo_Module_E
---------	---------------------------------------



INNOVATIVE SENSOR TECHNOLOGY

Innovative Sensor Technology IST AG, Stegrütistrasse 14, CH-9642 Ebnat-Kappel, Switzerland,
Phone: +41 (0) 71 992 01 00 | Fax: +41 (0) 71 992 01 99 | E-mail: info@ist-ag.com | Web: www.ist-ag.com



All mechanical dimensions are valid at 25 °C ambient temperature, if not differently indicated • All data except the mechanical dimensions only have information purposes and are not to be understood as assured characteristics • Technical changes without previous announcement as well as mistakes reserved • The information on this data sheet was examined carefully and will be accepted as correct; No liability in case of mistakes • Load with extreme values during a longer period can affect the reliability • The material contained herein may not be reproduced, adapted, merged, translated, stored, or used without the prior written consent of the copyright owner • Typing errors and mistakes reserved • Product specifications are subject to change without notice • All rights reserved

X-ON Electronics

Largest Supplier of Electrical and Electronic Components

Click to view similar products for [Flow Sensors](#) category:

Click to view products by [Ist Innovative Sensor](#) manufacturer:

Other Similar products are found below :

[VSR-3](#) [SS-12225](#) [AWM43300VH](#) [AWM730P1](#) [HAFBLF0400C5AX3](#) [FS1010-C01](#) [UF25B100](#) [FS15LF](#) [FS22A](#) [FS1012-1100-NG](#) [FS1012-1020-NG](#) [FS2012-1100-NG](#) [SFM3000-200C](#) [G-MAFCO-005](#) [SFM3000-200](#) [FPP800KIT1](#) [TDC-GP21](#) [T&R](#) [HAFBLF0100C4AX5](#) [HAFBLF0400C4AX3](#) [HAFBLF0050C4AX3](#) [SFM4100](#) [Air](#) [156268](#) [70824](#) [129660](#) [155421](#) [155481](#) [173931-C](#) [173250](#) [87480](#) [ATS-FM-22](#) [ATS-FM-34](#) [ATS-FM-44](#) [ATS-FM-66](#) [ATS-FM-M](#) [81501025](#) [81525101](#) [81526001](#) [81529003](#) [81529004](#) [81529005](#) [81529006](#) [81529007](#) [81529008](#) [81529010](#) [81529025](#) [81529901](#) [FS15A](#) [FS-90/1](#) [HAFBSS0200C2AX5](#) [AWM1200V](#)