

EVEREADY SILVER NO. R6

AA

Zinc Chloride



Specifications

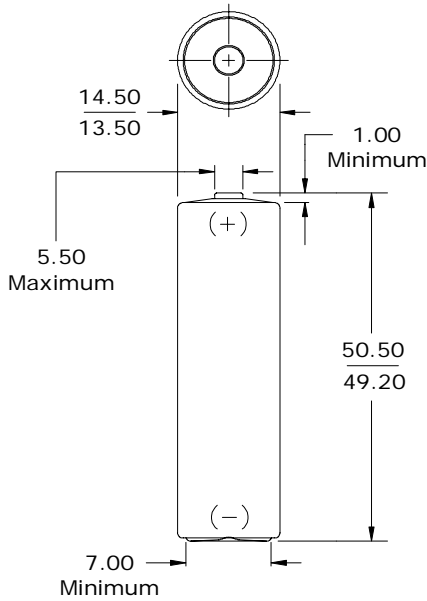
Chemical System: Zinc-Manganese Dioxide (Zn/MnO₂)
(no added mercury or cadmium)
Designation: IEC-R6
Nominal Voltage: 1.5 volts
Typical Capacity: 1,100 mAh* (to 0.8 volts)
(based on 25 mA continuous at 21 °C)

* Varies according to the applied load, temperature, and cutoff voltage.

Operating Temp: -18 °C to 55 °C
Typical Weight: 15 grams
Typical Volume: 8.0 cubic centimeters
Jacket: Metal

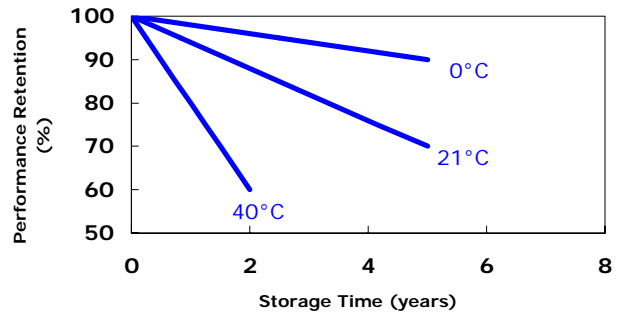
Industry Standard Dimensions

(millimeters)



Storage/Capacity Characteristics

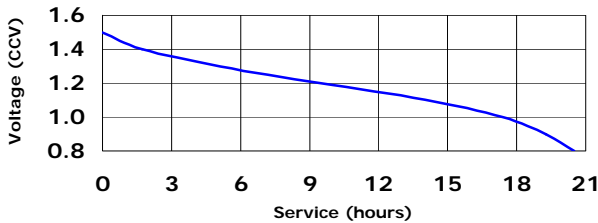
Effects of Storage at Various Temperatures



Industry Standard Tests (21 °C)

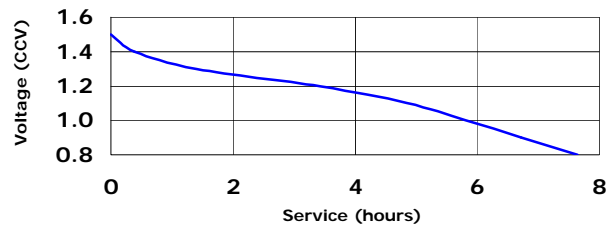
REMOTE

24 ohm 15 sec/min, 8 hrs/day



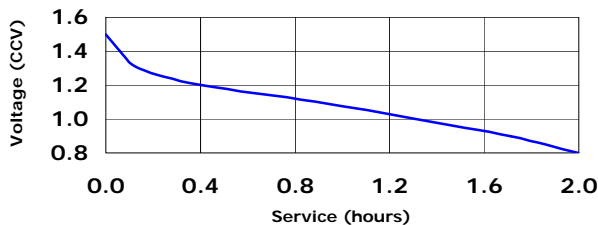
TAPE PLAYER

10 ohm 1 hr/day



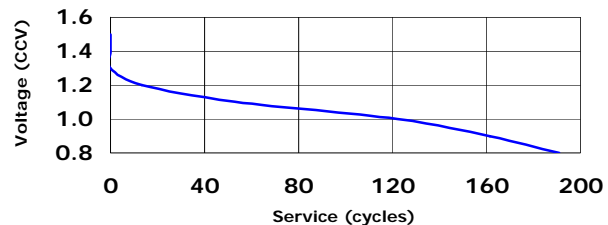
TOY

3.9 ohm 1 hr/day



PHOTOFLASH

1.8 ohm 15 sec/min



Important Notice

This data sheet contains typical information specific to batteries manufactured at the time of its publication.

Contents herein do not constitute a warranty.

©Eveready Battery Company, Inc. - All Rights Reserved

X-ON Electronics

Largest Supplier of Electrical and Electronic Components

Click to view similar products for [eveready battery manufacturer](#):

Other Similar products are found below :

[EV90](#) [HPR51BP](#) [KPR102BP-2](#) [T2-3BP](#) [377](#) [528](#) [544BP](#) [NH50BP-2](#) [379](#) [386](#) [6212ACS](#) [CH150](#) [706](#) [1231](#) [E95](#) [186BP](#) [T2-2BP](#) [379BP](#)
[1222](#) [FCC2](#) [1151](#) [9101IND](#) [395](#) [1209](#) [KPR113BP2](#) [ECR2430BP](#) [AC13E-4](#) [323](#) [384](#) [392BP](#) [AC146X](#) [364](#) [PJ996](#) [935](#) [395BP](#)
[EPX76BPZEN](#) [EN95](#) [EN92](#)