

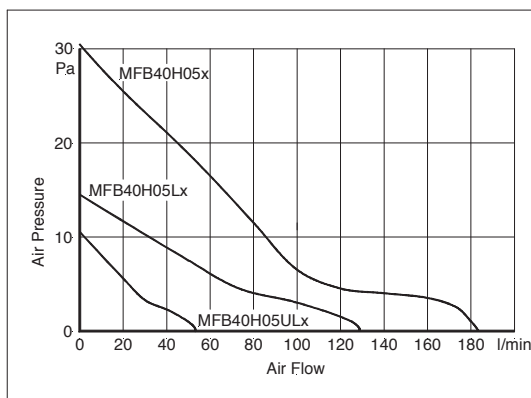
**MFB40H05, MFB40H05L,  
MFB40H05A, MFB40H05LA**

**BRUSHLESS, HIGH RELIABILITY FAN**

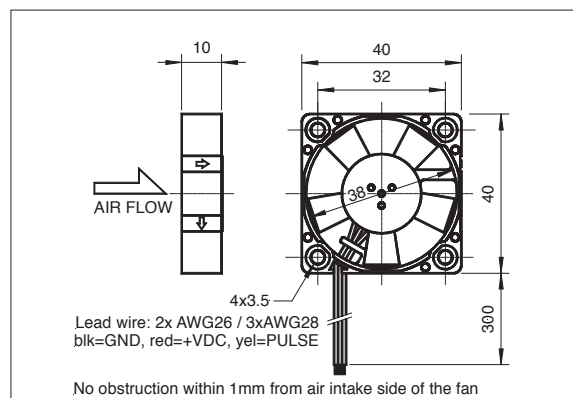
AUTOMOTIVE FAN



**AIR PERFORMANCE**



**SHAPE AND DIMENSION**



## PERFORMANCE

CE		MFB40H05UL MFB40H05ULA	MFB40H05L MFB40H05LA	MFB40H05 MFB40H05A
	Operating Voltage [V]	4.0 ... 5.0 ... 6.0	4.5 ... 5.0 ... 5.5	
Typ. Operating Current [mA]	45	50	90	
Max. Start Current [mA]	85	90	250	
Max. Air Flow [l/min - m <sup>3</sup> /h]	46 - 2.8	130 - 7.8	184 - 11.0	
Max. Air Pressure [mmH <sub>2</sub> O - Pa]	1.1 - 10.5	1.5 - 14.4	3.1 - 30.5	
Typ. Noise @ 1m [dB(A)]	11	19	24	
Operating Temperature [°C]	-40...+70 (higher temperature on request)			
Life Expectancy L <sub>10</sub> /MTBF [h]	95000/280000			
Rotor Speed [RPM]	3300	3800	5800	
Bearing System	2 ball bearings ZZ			
Weight [g]	13			
Pulse Output (MFB40H05xA only)	...A: 2 pulses / rev.			
Packing Quantity [PCs]	50 - 100 - 500			

This **SEPA**<sup>®</sup> high-tech miniature fan is suitable for industrial or automotive use and has a remarkable air flow performance despite its small dimensions. Due to a nearly linear air performance characteristic, the fan is applicable for different uses. It is permanently protected electrically against reverse polarity, blocking and thermal overloading. Due to the low rotor weight and precision balancing, it is virtually vibration-free. It is also insensitive to shock.

Further features of this fan are its extremely robust and torsionally rigid plastic housing of PBT (UL E54695), ball bearings with narrow tolerances, of special steel, polyester-based PCB (UL E44247) and absolute reliability due to 100% burn-in.

Technical changes without notice • 05/07

#### • ALARM SIGNAL

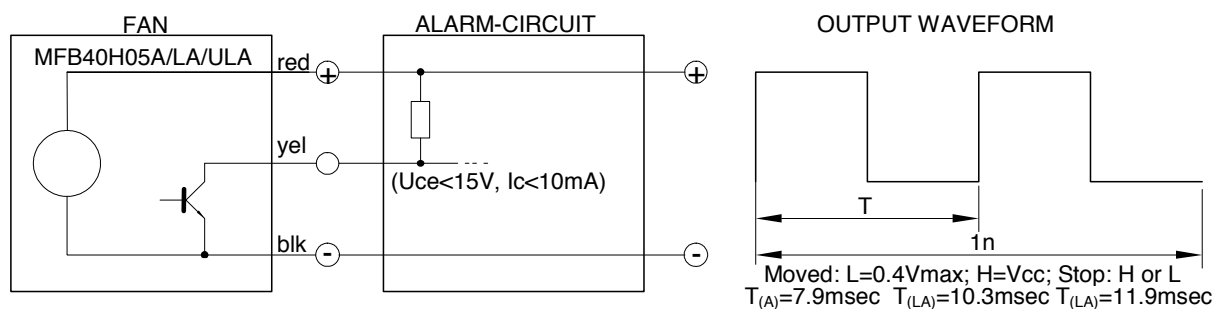
The **SEPA**® MFB40H05A, MFB40H05LA and MFB40H05ULA include a pulse output, which allows monitoring the correct function of the fan. An alarm-board is available on request.

The pulse is like a rectangular wave, the frequency correlates to 2 x rotor speed. At blocked rotor the output signal could be L ( $\leq 0.4V$ ) or H (5V).

**IMPORTANT:** The pulse output is *not* protected against short circuit and must not connect to GND or Vcc without pre-resistor. A pull-up-resistor is needed.

Do not connect not used pulse output (insolate).

The MFB40H05xx(A) has tinned lead wire ends (without connector).



#### • ACCESSORIES:

CONNECTOR: on request

#### • ORDER INFORMATION:

MFB40H05	<b>SEPA</b> ®	Miniature fan, 40x40x10mm, 5VDC, ball bearings, <b>CE</b>	514081000
MFB40H05L	<b>SEPA</b> ®	Miniature fan, 40x40x10mm, 5VDC, ball bearings, <b>CE</b>	514081100
MFB40H05L	<b>SEPA</b> ®	Miniature fan, 40x40x10mm, 5VDC, ball bearings, <b>CE</b>	514081300
MFB40H05A	<b>SEPA</b> ®	Miniature fan, 40x40x10mm, 5VDC, ball bearings, pulse, <b>CE</b>	514081010
MFB40H05LA	<b>SEPA</b> ®	Miniature fan, 40x40x10mm, 5VDC, ball bearings, pulse, <b>CE</b>	514081110
MFB40H05LA	<b>SEPA</b> ®	Miniature fan, 40x40x10mm, 5VDC, ball bearings, pulse, <b>CE</b>	514081310

## **X-ON Electronics**

Largest Supplier of Electrical and Electronic Components

*Click to view similar products for [sepa](#) manufacturer:*

Other Similar products are found below :

[HXB50E12](#) [MFB60D05](#) [MFB25B05](#) [FG80](#) [FM40](#) [FG40](#) [MFB50E12](#) [HFB44B12A](#) [MFB40H12A](#) [FG92](#) [MFB40H12](#) [FG30](#) [FG50](#) [FG120](#)  
[FM120](#) [FM80](#)