

COMPONENT SPECIFICATION

Name	BEAD ARRAY	COMPOSITE SPECIFICATION		1/2
	MFB-3216 SERIES	SPEC#	MFB-321611-1000M4N2	

1. Scope

This specification applies to the **MFB-321611** series Bead Array

2. Standard and Atmospheric Conditions

Unless otherwise specified the standard range of atmospheric conditions for making measurements and tests is as follows:

Ambient temperature : $20 \pm 15^\circ\text{C}$

Relative humidity : 30~70%

If there may be any doubt on the results, measurements shall be made within the following limits :

Ambient temperature : $25 \pm 5^\circ\text{C}$

Relative humidity : 30~70%

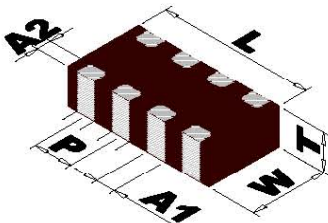
OPERATING TEMP. RANGE : $-55^\circ\text{C} \sim +125^\circ\text{C}$

STORAGE TEMP. RANGE : $-10^\circ\text{C} \sim +40^\circ\text{C}$

3. Ratings

PART NO	IMPEDANCE (Ω) AT 100 MHz 500mV	DC RESISTANCE (Ω) Max	RATED CURRENT (mA) Max
MFB-321611-1000M4N2	$1000 \pm 25\%$	0.7	50

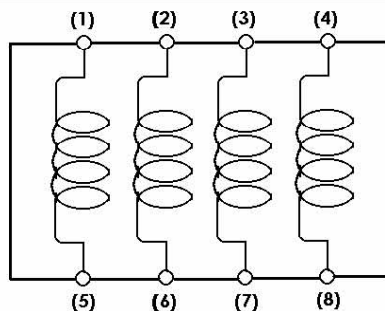
4. Dimensions



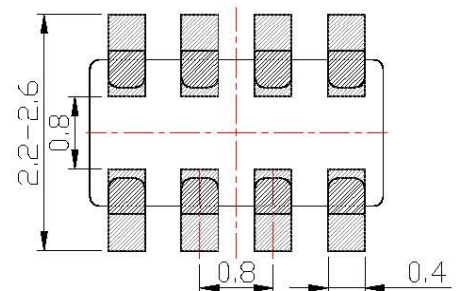
unit: mm
(inch)

TYPE	L	W	T	A1	A2	P
MFB-3216	3.2 ± 0.2 (.126 ± .008)	1.6 ± 0.2 (.063 ± .008)	0.8 ± 0.2 (.031 ± .008)	0.4 ± 0.15 (.016 ± .006)	0.3 ± 0.2 (.012 ± .008)	0.8 ± 0.1 (.031 ± .004)

Equivalent Circuit



Layout Patterns



5. The Place of Origin :

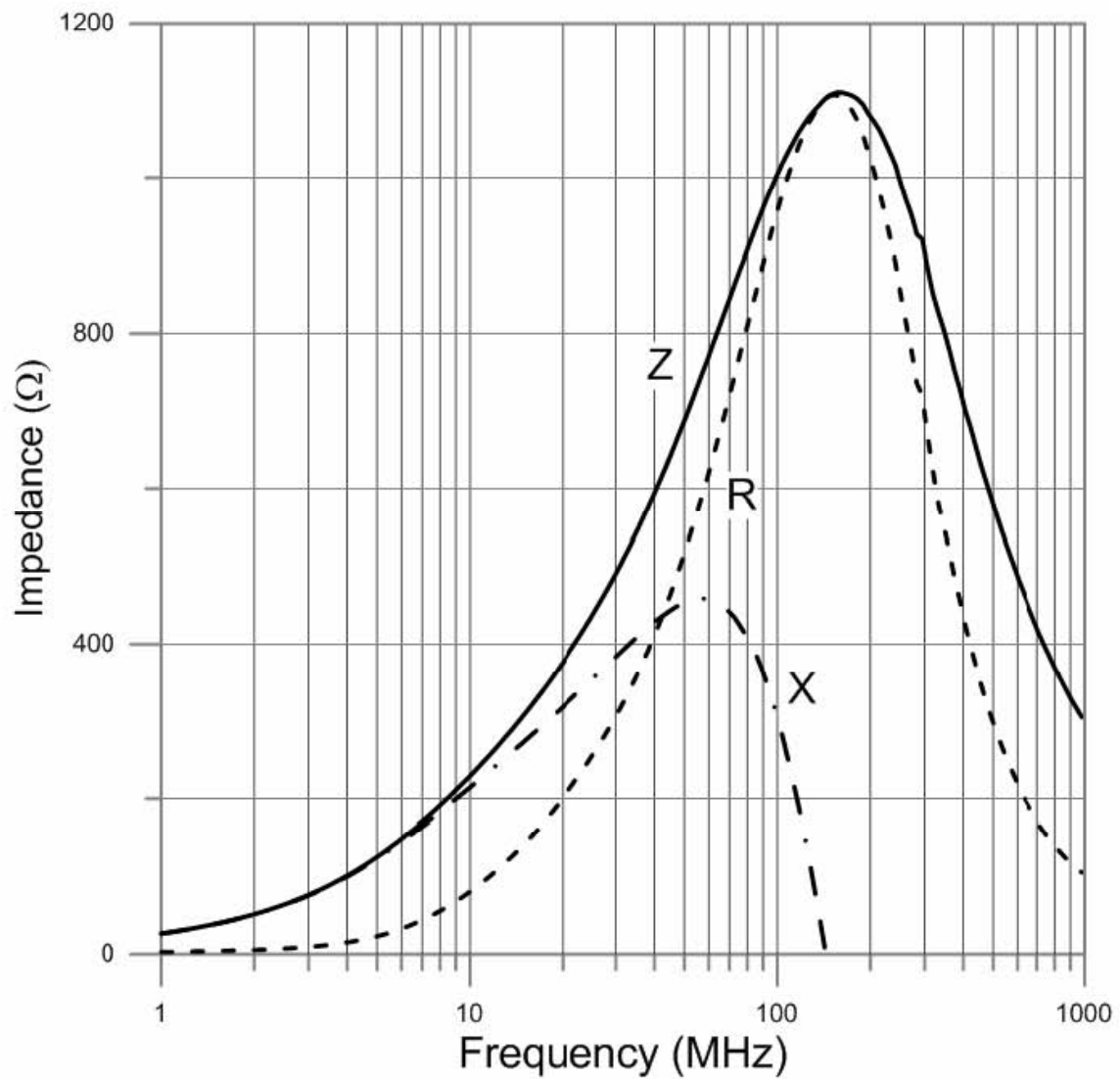
Taichung, Taiwan

Inspection Condition:

IR Between Element at 50VDC (>10M Ω min)

HISTORY	DATE	REVISION	SIGN.	SIGN.
PLANNED BY	CHECKED BY	APPROVED BY		
LUN	TINA	Chi Chi Huang		

Name	BEAD ARRAY	COMPOSITE SPECIFICATION		2 / 2
	MFB-321611 Series	SPEC#	MFB-321611-1000M4N2	



X-ON Electronics

Largest Supplier of Electrical and Electronic Components

Click to view similar products for [mec switches](#) manufacturer:

Other Similar products are found below :

[95NA3509](#) [1R001](#) [1B00](#) [1630004](#) [1D27F1500](#) [1SS06-08.0](#) [1A02](#) [4FTH901](#) [2SS09-07.0](#) [1ZCS53](#) [025773H](#) [5GTH9208222](#) [1DS11](#)
[5GSH96501](#) [1TS03](#) [1US00](#) [1D06](#) [5GTH96561](#) [2A03](#) [MSFC-10KEX](#) [099196G](#) [429981B](#) [1ZW09](#) [1IS16-12.0](#) [10C1616LMH11809](#) [1ZB09](#)
[1Z09](#) [1ZCS30](#) [1630008](#) [1670003](#) [1SS02-09.5](#) [5GSH92022](#) [5GSH96522](#) [1SS06-12.0](#) [1US03](#) [1Q001](#) [5GTH9202242](#) [1D30](#) [1D04](#) [AQN-2.5](#)
[1A09XU134](#) [5GSH920Q](#) [1632609](#) [XO-08-7.37280MHZ](#) [099349E](#) [2D032](#) [4FSH961](#) [1630000](#) [1ZB57](#) [15452](#)