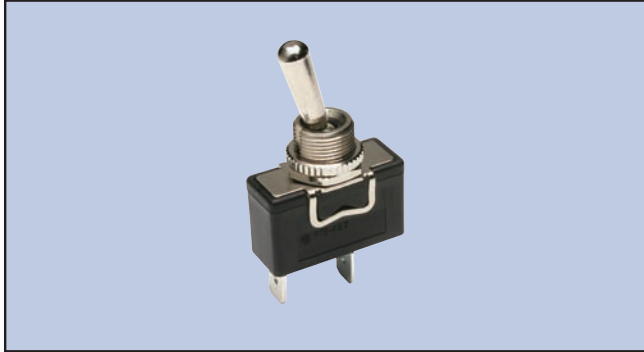


Waterproof Bat Handle Toggle

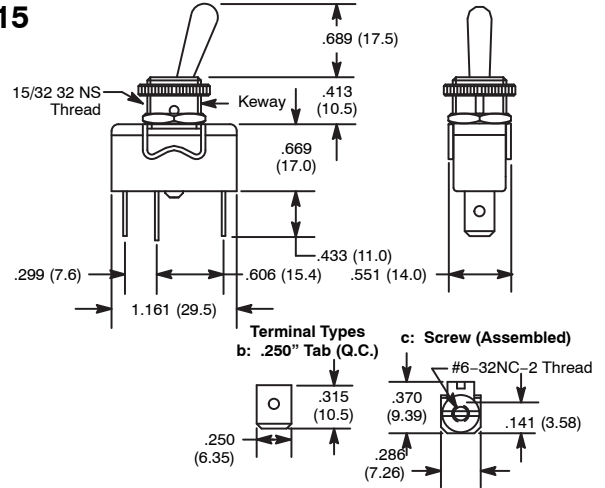


Features

- Waterproof: IP56
- Single Pole Types
- Internal "O" Ring for Moisture and Dust Resistance
- .250" Quick Connect Terminals



S115



Specifications

- Current Rating:**
A: 16A 277VAC, 1 HP
B: 20A 277VAC, 1 HP
- Insulation Resistance:** 100 Megohms (min.) at 500VDC
Dielectric Strength: 1500V RMS (min.)
Temperature Rating: +32°F to +149°F (0°C to +65°C)
Electrical Life: 6,000 cycles
Mechanical Life: 10,000 cycles at full load
Terminal Type: Refer to Diag No. in Table
Mounting Hole: .472 (12.0)

NTE Type No.	Circuitry	Current Rating	Action			Actuator	Diag No.
NEW 54-348W#	SPST	B	ON	NONE	OFF	Brass/Nickel Plate	S115b
NEW 54-349W	SPDT	A	ON	NONE	ON	Brass/Nickel Plate	S115b
NEW 54-350W	SPDT	A	ON	OFF	ON	Brass/Nickel Plate	S115b
NEW 54-352W	SPDT	A	(ON)	OFF	(ON)	Brass/Nickel Plate	S115b
NEW 54-354W	SPST	B	ON	NONE	OFF	Brass/Nickel Plate	S115c
NEW 54-355W	SPDT	A	ON	NONE	ON	Brass/Nickel Plate	S115c
NEW 54-356W	SPDT	A	ON	OFF	ON	Brass/Nickel Plate	S115c
NEW 54-358W##	SPDT	A	(ON)	OFF	(ON)	Brass/Nickel Plate	S115c

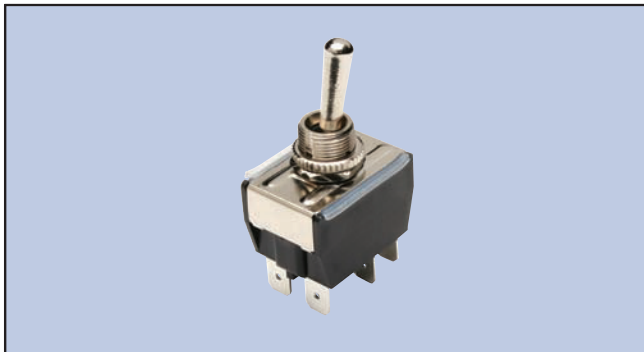
SPECIAL NOTE: () = Momentary Function
 # UL for 16 Amp ONLY
 ## UL for 12 Amp ONLY

Waterproof Bat Handle Toggle

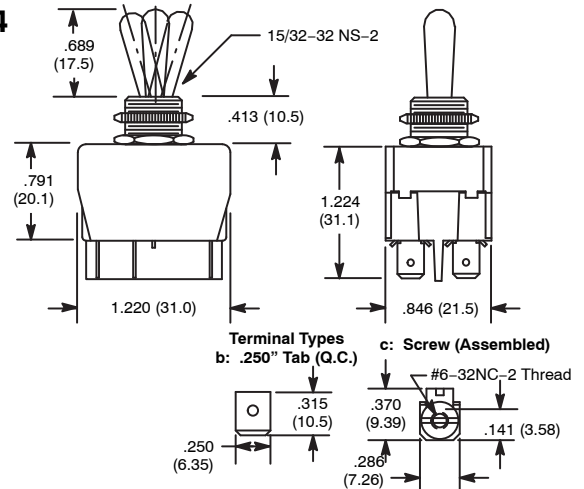


Features

- Waterproof: IP56
- Double Pole Types
- Internal "O" Ring for Moisture and Dust Resistance
- .250" Quick Connect Terminals



S114



Specifications

- Current Rating:**
A: 16A 277VAC, 1 HP
B: 20A 277VAC, 1 HP
- Insulation Resistance:** 100 Megohms (min.) at 500VDC
Dielectric Strength: 1500V RMS (min.)
Temperature Rating: +32°F to +149°F (0°C to +65°C)
Electrical Life: 6,000 cycles
Mechanical Life: 10,000 cycles at full load
Terminal Type: Refer to Diag No. in Table
Mounting Hole: .472 (12.0)

NTE Type No.	Circuitry	Current Rating	Action			Actuator	Diag No.
NEW 54-360W	DPDT	A	ON	NONE	ON	Brass/Nickel Plate	S114b
NEW 54-361W	DPDT	A	ON	OFF	ON	Brass/Nickel Plate	S114b
NEW 54-364W	DPDT	A	(ON)	OFF	(ON)	Brass/Nickel Plate	S114b
NEW 54-366W##	DPST	B	ON	NONE	OFF	Brass/Nickel Plate	S114b
NEW 54-367W##	DPST	B	ON	NONE	OFF	Brass/Nickel Plate	S114c
NEW 54-369W	DPDT	A	ON	NONE	ON	Brass/Nickel Plate	S114c
NEW 54-370W##	DPDT	A	ON	OFF	ON	Brass/Nickel Plate	S114c
NEW 54-373W	DPDT	A	(ON)	OFF	(ON)	Brass/Nickel Plate	S114c

SPECIAL NOTE: () = Momentary Function
 ## UL for 12 Amp ONLY

X-ON Electronics

Largest Supplier of Electrical and Electronic Components

Click to view similar products for [Toggle Switches](#) category:

Click to view products by [NTE](#) manufacturer:

Other Similar products are found below :

[A19HV](#) [8A1-C-222](#) [60012L](#) [6006L](#) [6663](#) [7101MD9V30GE](#) [7101SPDV30BE](#) [7103SDV30BE](#) [7105D](#) [7108P3YAV2BE](#) [71YY50282](#)
[7201MD9AVBE](#) [7301K38](#) [7306K36](#) [7310K36](#) [7314K36](#) [7506K4](#) [7592K6](#) [7691K14](#) [7700K1](#) [8396K108](#) [8824K14](#) [8828K13](#) [G3VX](#) [PS83-](#)
[121G](#) [A101MD9AB04](#) [A101SD9AB04](#) [A101SDCQ04](#) [A103SD9AQ04](#) [A107TZB04](#) [A123P32YZQ](#) [A123S1YZG](#) [A127S1YCQ](#) [1-1825192-](#)
[0](#) [A131S1YZQ](#) [A201SCWZB04](#) [A207SYCB04](#) [A208J61ZQ0004](#) [A221K12KAG](#) [A221S1YZQ](#) [A221T1TCQ](#) [A232K12KZQ](#) [A232M1YCQ](#)
[A323S1CWZQ](#) [A423S1YZQ](#) [12149A-3V](#) [12156AX408](#) [12147AGKX679](#) [12149AD2G0383VX408](#) [12246X778](#)