

# Amphenol®



## ePower-Lite

The ePower-Lite is a plastic power connector series designed to be used in the hybrid electric vehicle market. The series offers 2-pole, 3-pole and 4-pole options. The robust plastic shell can withstand high temperatures up to 125°C and provides dielectric protection for the connector.

With patented RADSOK® technology, the connector features higher amperage, lower T-rise and voltage drop, and less resistance.

The compact, plastic shell structure is light weight with a small footprint, and is field installable and repairable. ePower-Lite also includes a CPA to provide connector position assurance that it is mated. All these attributes make ePower-Lite the interconnect of choice for the EV and Hybrid markets.

### Features and Benefits:

- Plastic shell, light weight
- Compact design for space considerations with EVs
- Low mating/un-mating force
- Durability: 100 mating cycles minimum
- Water Proof: IP67
- Touch-Proof: IEC 60529
- Flammability: UL 94V-0
- EMC optional
- HVIL optional
- RoHS Compliant

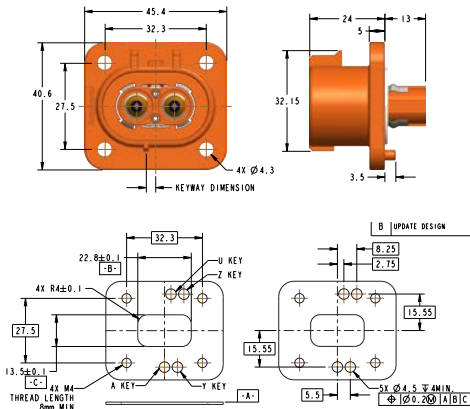
[www.amphenol-industrial.com](http://www.amphenol-industrial.com)



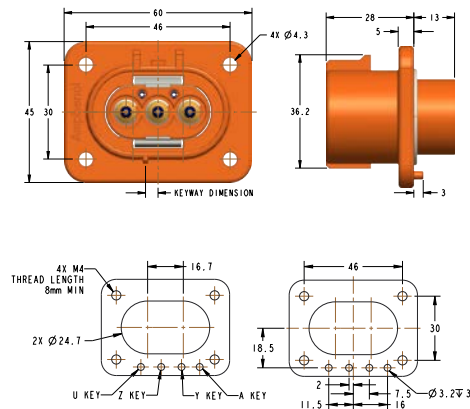
# EV/HEV Application

Technical Data				
Contact Test Current	2-Pole	70 Amps/7.5 Amps	Test Voltage (Sea Level)	3000 VAC RMS
	3-Pole	70 Amps/7.5 Amps	Operating Temperature	-40°C to 125°C
	4-Pole	70 Amps/13 Amps	Operating Voltage	800V VAC
Number of Contacts	2-Pole	2 & 2	Finger Proof	IEC 60529
	3-Pole	3 & 2	Durability	100 (Min)
	4-Pole	4 & 2	Water Proof	IP67 (Mated)
Contact Size	2-Pole	3.6mm/#20	Salt Spray	96H
	3-Pole	3.6mm/#20	HVIL	Optional
	4-Pole	3.6mm/#16	Recommended Torque	M4:4~6N.M

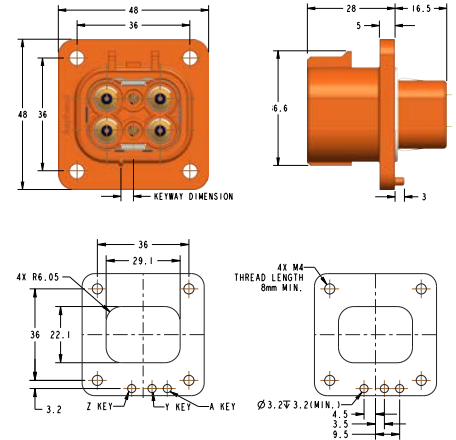
## 2-Pole Electrical Receptacle with HVIL & Shielding Shell



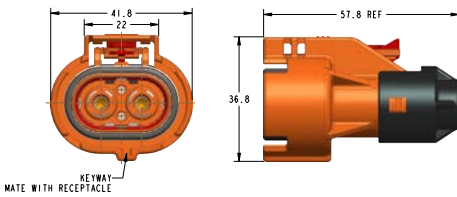
## 3-Pole Electrical Receptacle with HVIL & Shielding Shell



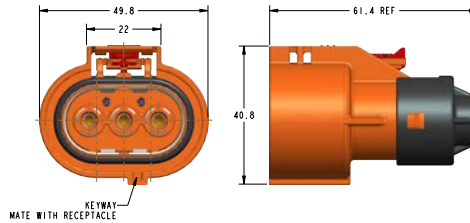
## 4-Pole Electrical Receptacle with HVIL & Shielding Shell



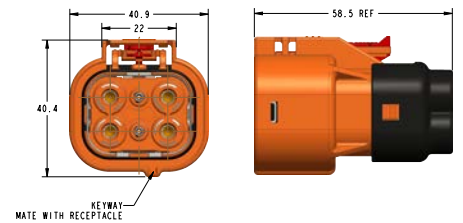
## 2-Pole Electrical Plug with HVIL & Shielding Shell



## 3-Pole Electrical Plug with HVIL & Shielding Shell



## 4-Pole Electrical Plug with HVIL & Shielding Shell



## Key Marking



## How To Order

Product Series	Connector Type	Pole Number	Index / Key	Crimped Wire Size			
EL	P	2	2-Pole	A	Key/A	01	2.5mm <sup>2</sup>
	R	3	3-Pole	Y	Key/Y	02	4.0mm <sup>2</sup>
				Z	Key/Z	03	6.0mm <sup>2</sup>
				U	Key/U	04	10.0mm <sup>2</sup>

Notice: Specifications are subject to change without notice. Contact your nearest Amphenol Corporation Sales Office for the latest specifications. All statements, information and data given herein are believed to be accurate and reliable but are presented without guarantee, warranty, or responsibility of any kind, expressed or implied. Statements of suggestions concerning possible use of our products are made without representation or warranty that any such use is free of patent infringement and are not recommendations to infringe any patent. The user should assume that all safety measures are indicated or that other measures may not be required. Specifications are typical and may not apply to all connectors.

For further information on your individual application requirements, contact: Amphenol Corporation

North America:  
Amphenol Industrial Operations  
180 N. Freepoint Drive, Plant 4  
Nogales, AZ 85621  
Tel: (888) 364-9011  
Fax: (520) 285-5134

Europe:  
Amphenol Industrial Operations Europe  
Via Barbaiana 5  
1-20020 Lainate (MI) Italy  
Tel: +39 02 93254.204  
Fax: +39 02 93254.444

Middle East:  
Amphenol Middle East Enterprises FZE  
Office C-37 PO Box 21107  
Ajman Free Zone, UAE  
Tel: +9 716-7422494  
Fax: +9 716-7422941

Asia:  
Amphenol Technology (Zhuhai) Co., Ltd.  
No. 63 Xing Han Road, San Zao Town  
Jin Wan District, Zhuhai City, China 519040  
Tel: +86 756-3989760  
Fax: +86 756-3989768

Email: tech@amphenol-aio.com

Email: info@amphenol-aio.com

Email: jhussain@amphenol-industrial.com

Email: enquiry@amphenol-aio.com

## X-ON Electronics

Largest Supplier of Electrical and Electronic Components

*Click to view similar products for [Automotive Connectors](#) category:*

*Click to view products by [Amphenol](#) manufacturer:*

Other Similar products are found below :

[003-018-000](#) [600858](#) [60403001](#) [60993906-B](#) [60993913-B](#) [629515004020001](#) [M902-2131](#) [M902-2161](#) [M902-2344](#) [72.330.1035.1](#)  
[73.353.4028.0](#) [F118010](#) [F119300-B](#) [F132210](#) [F132210-B](#) [F166900](#) [F180100](#) [F258300](#) [F258300-B](#) [F294300-B](#) [F339100](#) [F339700](#) [F358300-](#)  
[B](#) [F374110](#) [F407400](#) [F412210](#) [F427600](#) [F444110](#) [F487000](#) [F495100-B](#) [F500900-B](#) [F509500B-B](#) [770444-1](#) [776880-1](#) [827153-1](#) [881735-1](#)  
[8N1515-32-24P](#) [9-1326727-8](#) [9-1326729-8](#) [925467-1](#) [925474-1](#) [928905-1](#) [936398-2](#) [964562-1](#) [964562-4](#) [964731-2](#) [965051-1](#) [968782-1](#)  
[GT17SA-8DS-HU](#) [GT17VS-10DP-5.2CF](#)