

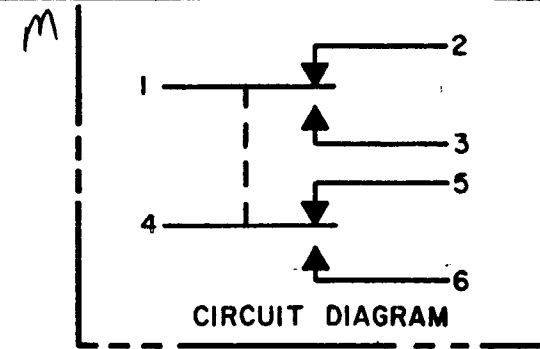
MICRO SWITCH

FREEPORT, ILLINOIS, U.S.A.
A DIVISION OF HONEYWELL

FED. MFG. CODE 91929

SWITCH-ENCLOSED

CATALOG LISTING
622EN52-6



STAINLESS STEEL SCREW WITH
.032 WIDE X .040 DEEP SLOT

ROLLER MAY BE LOCKED IN
INCREMENTS OF 45° AZIMUTH $\triangle 6$

4-40 UNC-3B MINIATURE
LOCK NUT-STAINLESS STEEL

(6) NO. 20 WIRE LEAD PER MIL-W-22759/7
MARKED WITH CIRCUIT IDENTIFICATION AND
WIRE GAGE (1-20, 2-20, ETC) PER MIL-W-5088 $\triangle 8$

.072±.004 WIDE X .031±.003
DEEP KEYWAY TO WITHIN
.250 OF SHOULDER

CORROSION RESISTANT
STEEL PLUNGER AND
BUSHING

.375 DIA X .104 WIDE CORROSION
RESISTANT STEEL ROLLER

1.485±.030
FREE
POSITION

1.000±.030

15/32-32 UNS THREAD TO WITHIN .093 OF SHOULDER

CORROSION RESISTANT STEEL HEX NUT,
.62 ACROSS FLATS X .125 THICK (2) (MS 21340-04) $\triangle 7$

CORROSION RESISTANT STEEL INTERNAL TOOTH
LOCKWASHER, .60 DIA X .018 REF THICK (MS 35333-136) $\triangle 7$

.047 DIA HOLE FOR
WIRE LOCKING (3)

CORROSION RESISTANT STEEL KEYING WASHER,
.72 DIA X .040 THICK, TAB .110 WIDE (MS 25081C4) $\triangle 7$

1.000 MAX

.688±.030 DIA

.375±.030

72.000 MIN

622EN52-6
 M
 DRAWING NUMBER
 20
 ISSUE
 CMH 09 APR 09
 CHECK
 REVISIONS
 A CO46610
 DJW 19 OCT 79
 B CO47573
 PART 4
 R J H 18 AUG 80
 C CO49806
 J A P 25 SEPT 81
 D CO54620
 J A S 16 FEB 84
 E CO67370
 J A P 14 MAY 85
 F 75612 B
 WES 16 AUG 93
 G 0051009
 SJK 09 APR 09
 FO-82851-B
 DRAWN
 D J W 19 OCT 79
 CHECK
 C
 RELEASE NO. PR-5465
 REPLACES

THIS DRAWING COVERS A PROPRIETARY ITEM AND IS THE PROPERTY OF MICRO SWITCH, A DIVISION OF HONEYWELL. THIS DRAWING IS NOT TO BE COPIED OR USED WITHOUT THE APPROVAL OF MICRO SWITCH.

CHARACTERISTICS	
OPERATING FORCE	3-6 LB
FULL OVERTRAVEL FORCE	17 LB MAX
RELEASE FORCE	2 LB MIN
PRETRAVEL	.040 MAX
DIFFERENTIAL TRAVEL	.020 MAX
OVERTRAVEL	.125 MIN

ELECTRICAL DATA		
CONTACT ARRANGEMENT		
SPDT (2)		
LOAD	28 VDC	
	SEA LEVEL	50,000 FT.
RES	7	7
IND	4	2.5
MOTOR	4	
LAMP		

SCALE FULL			
DO NOT SCALE PRINT			
TOLERANCES			
APPLY TO DESIGN UNITS. CONVERSIONS ARE ONLY FOR REFERENCE. UNLESS NOTED, TOLERANCES ARE 2			
DM	TOL	DM	TOL
mm	mm/in	in	mm/in
NO PLACES	X	1/04	
ONE PLACE	X,X	0.47/0.16	X,X
TWO PLACES	X,XX	0.167/0.008	X,XX
THREE PLACES	X,XXX		X,XXX
ANGLES			
DESIGN UNITS		<input type="checkbox"/> SI METRIC <input checked="" type="checkbox"/> US CUSTOMARY	
THIRD ANGLE PROJECTION			
WEIGHT 8.0 OZ MAX			

- NOTES
- 1 - CORROSION RESISTANT STEEL ENCLOSURE
 - 2 - SWITCH SEALED PER MIL-PRF-8805 SYMBOL 4
 - 3 - COINCIDENCE OF OPERATING AND RELASING POINTS: .010 OF PLUNGER TRAVEL
 - 4 - CIRCUIT DIAGRAM AND CAT. LIST. ARE SHOWN ON NAMEPLATE
 - 5 - ELECTRICAL RATINGS APPLY AS SPECIFIED IN MIL-PRF-8805/43 UP TO 185°F
 - $\triangle 6$ - TO ADJUST ROLLER DIRECTION REMOVE LOCK NUT, SCREW AND ROLLER. DEPRESS PLUNGER UNTIL IT CAN BE ROTATED TO DESIRED POSITION. RETURN PLUNGER TO FREE POSITION AND REASSEMBLE ROLLER
 - $\triangle 7$ - HARDWARE MAY BE PACKAGED UNASSEMBLED PER MIL-PRF-8805
 - $\triangle 8$ - ELECTRICAL WIRES ON CENTERLINE WITH KEYWAY WITHIN $\pm 6^\circ$

RASTER

X-ON Electronics

Largest Supplier of Electrical and Electronic Components

Click to view similar products for [Limit Switches](#) category:

Click to view products by [Honeywell](#) manufacturer:

Other Similar products are found below :

[6LS2-4PG](#) [5ML1-E1](#) [5ML31](#) [LZG1](#) [LZL1-6C](#) [622EN114-R](#) [622EN18-6](#) [622EN224-6B](#) [622EN230](#) [622EN237-R](#) [622EN69-3](#) [622EN85-RB](#)
[MA-10019](#) [6PA109](#) [7LS51](#) [83547001](#) [83725002](#) [83830001](#) [83840001](#) [83840701](#) [83841001](#) [83870104](#) [83881140](#) [8AS42](#) [8LS10](#) [8LS125-](#)
[4PG](#) [8LS152-4PGN20](#) [914CE16-3A](#) [914CE3-3L1](#) [915PA10](#) [91MCE16-P2O](#) [924CE16-Y3](#) [924CE1-S6](#) [924CE1-T25A](#) [924CE1-T3](#) [924CE1-](#)
[T9A](#) [924CE2-T9](#) [924CE31-Y20-X5](#) [924CE31-Y3L1](#) [GL-10054](#) [GL-85710](#) [GL-85714](#) [GLAB26J2B](#) [GLDB03C-6](#) [GLZ324](#) [PS21R-](#)
[NT11N7-YK0](#) [D4A-1106N](#) [D4A-3E02N](#) [D4A-4510N](#) [D4A-4516N](#)