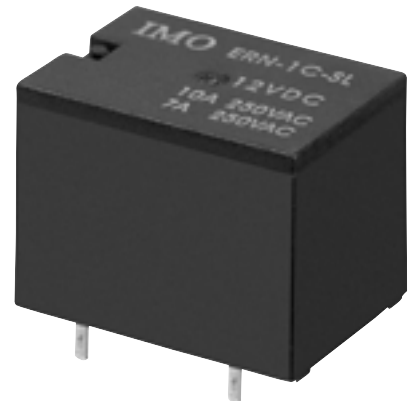


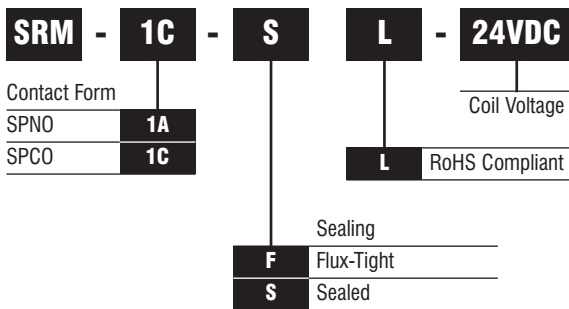
Subminiature High Power Relay SRM



- SPNO & SPCO configuration
- Subminiature, standard PCB layout
- Flux-Tight and Sealed Construction



Options and ordering codes



Contact Data

Contact arrangement	1A	1C
Initial Contact Resistance Max.	100mΩ (1A 6VDC)	
Contact Material	AgSnO ₂	
Contact Rating	10A/277VAC	7A/250VDC 10A/277VAC
Max. switching voltage	277VAC/30VDC	
Max. switching current	15A	10A
Max. switching power	2770VA/210W	
Mechanical life	1x10 ⁷ OPS	
Electrical life	1x10 ⁵ OPS	

Characteristics

Initial Insulation Resistance	100MΩ 500VDC	
Dielectric Strength	Between coil & contact	1500VAC 1min.
	Between open contacts	750VAC 1min.
Operate time (at nomi. Volt)	Max. 10ms	
Release time (at nomi. Volt)	Max. 5ms	
Temperature rise (at nomi. Volt)	Max. 60°C	
Shock resistance	Functional	98m/s ²
	Destructive	980m/s ²
Vibration resistance	1.5mm 10 to 55Hz	
Humidity	35% to 85% RH	
Ambient temperature	-40°C to 85°C	
Termination	PCB	
Unit Weight	Approx. 10g	
Construction	Sealed & Flux-Tight	

Coil

Coil power	0.36W (48VDC/0.51W)
------------	---------------------

Coil Data

Nominal Voltage VDC	Pick-up Voltage VDC	Drop-out Voltage VDC	Max. allowable Voltage (at 25°C)	Coil Resistance Ω
5	3.80	0.5	6.5	70±10%
6	4.50	0.6	7.8	100±10%
9	6.80	0.9	11.7	225±10%
12	9.00	1.2	15.6	400±10%
18	13.5	1.8	23.4	900±10%
24	18.0	2.4	31.2	1600±10%
48	36.0	4.8	62.4	4500±10%

Safety Approval Ratings

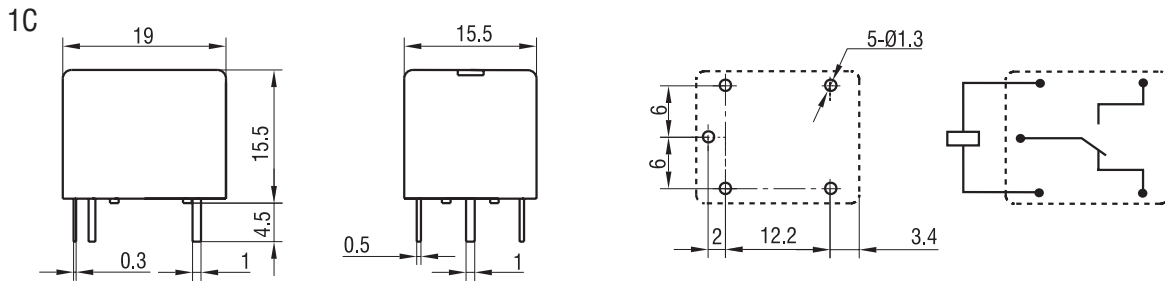
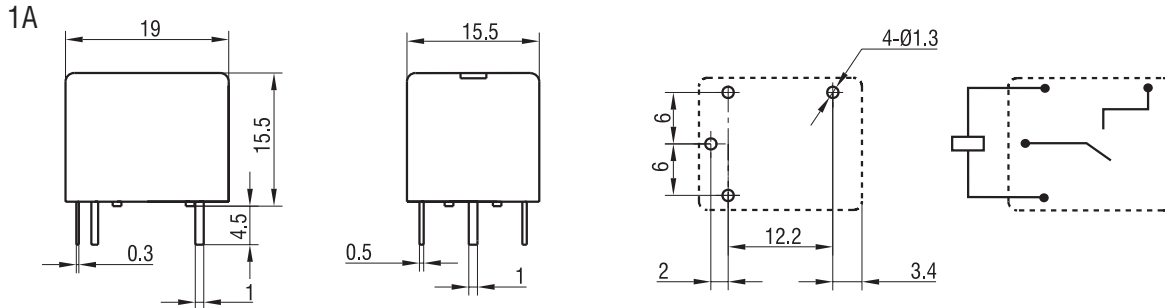
UL	1 Form C	10A 277 VAC 10A 120VAC 1/2 hp, 125/250VAC
	1 Form A	10A 277VAC TV-5 120VAC 15A 125VAC 120VAC 125VAC 1/2 hp, 125VAC
TUV	1 Form C	8A 250VAC 12A 125VAC cos phi=1 5A 250VAC cos phi=1
	1 Form A	10A 277VAC 12A 125VAC cos phi=1 5A 250VAC cos phi=1

Subminiature High Power Relay SRM

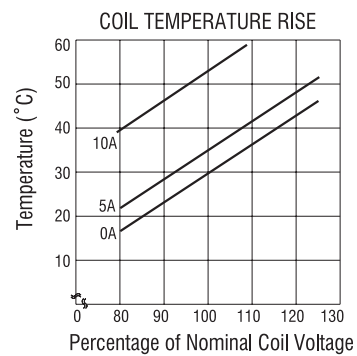
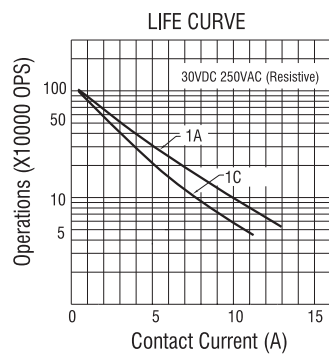
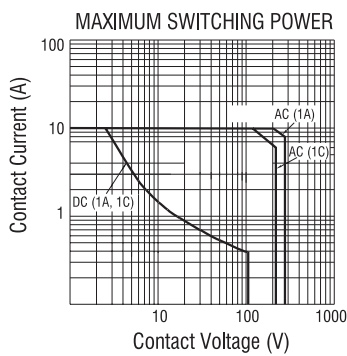


Outline dimensions (mm)

Wiring diagram and PC Board layout



Characteristic Curve



X-ON Electronics

Largest Supplier of Electrical and Electronic Components

Click to view similar products for [General Purpose Relays](#) category:

Click to view products by [IMO](#) manufacturer:

Other Similar products are found below :

[APF30318](#) [JVN1AF-4.5V-F](#) [PCN-105D3MHZ](#) [5JO-10000S-SIL](#) [5JO-1000CD-SIL](#) [5JO-400CD-SIL](#) [LY2S-AC220/240](#) [LYQ20DC12](#)
[6031007G](#) [6131406HQ](#) [6-1393099-8](#) [6-1393122-4](#) [6-1393123-2](#) [6-1393767-1](#) [6-1393843-7](#) [6-1415012-1](#) [6-1419102-2](#) [6-1423698-4](#) [6-](#)
[1608051-6](#) [6-1608067-0](#) [6-1616170-6](#) [6-1616248-2](#) [6-1616282-3](#) [6-1616348-2](#) [6-1616350-1](#) [6-1616350-8](#) [6-1616358-7](#) [6-1616359-9](#) [6-](#)
[1616360-9](#) [6-1616931-6](#) [6-1617039-1](#) [6-1617052-1](#) [6-1617090-2](#) [6-1617090-5](#) [6-1617347-5](#) [6-1617353-3](#) [6-1617801-8](#) [6-1618107-9](#) [6-](#)
[1618248-4](#) [M83536/1-027M](#) [CX-4014](#) [MAHC-5494](#) [MAVCD-5419-6](#) [703XCX-120A](#) [7-1393100-5](#) [7-1393111-7](#) [7-1393767-8](#) [7-1414968-8](#)
[7-1419130-3](#) [7-1608047-2](#)