

Miniatursteckverbinder Serie 440 Miniature connectors series 440

Bezeichnung
Description

Flanschstecker IP40
Male socket IP40

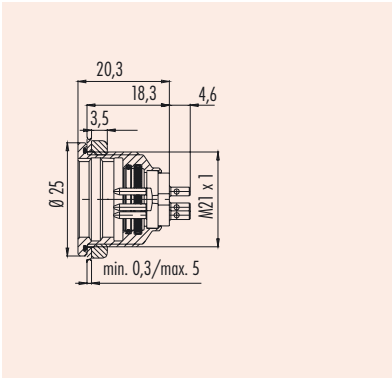
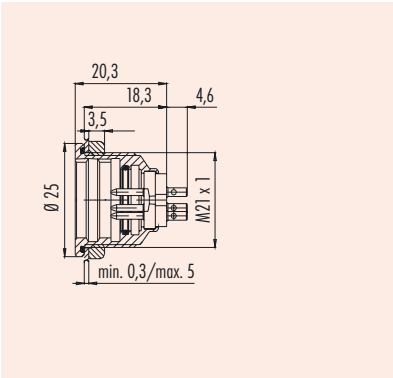
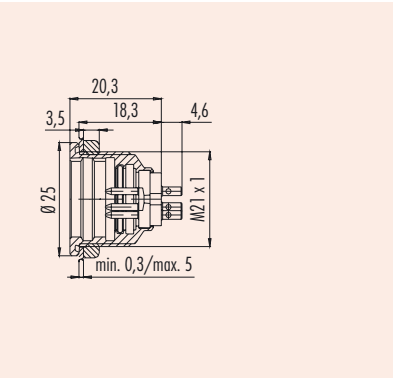
Flanschstecker IP67
Male socket IP67

Flanschstecker IP67, geschirmt
Male socket IP67, shielded

Abbildung
Figure



Maßzeichnung
Drawing



Bestell-Nr.
Ordering-No.

| Polzahl Contacts | Bestell-Nr. Ordering-No. |
|---------------------|-----------------------------|
| 3 DIN | 09-4807-25-03 |
| 4 | 09-4811-25-04 |
| 5 | 09-4815-25-05 |
| 6 DIN | 09-4819-25-06 |
| 7 | 09-4827-25-07 |
| 8 DIN | 09-4831-25-08 |
| 12 | 09-4835-25-12 |
| 14 | 09-4839-25-14 |
| 19 | 09-4843-25-19 |

| Polzahl Contacts | Bestell-Nr. Ordering-No. |
|---------------------|-----------------------------|
| 3 DIN | 09-4807-15-03 |
| 4 | 09-4811-15-04 |
| 5 | 09-4815-15-05 |
| 6 DIN | 09-4819-15-06 |
| 7 | 09-4827-15-07 |
| 8 DIN | 09-4831-15-08 |
| 12 | 09-4835-15-12 |
| 14 | 09-4839-15-14 |
| 19 | 09-4843-15-19 |

| Polzahl Contacts | Bestell-Nr. Ordering-No. |
|---------------------|-----------------------------|
| 3 DIN | 09-4807-00-03 |
| 4 | 09-4811-00-04 |
| 5 | 09-4815-00-05 |
| 6 DIN | 09-4819-00-06 |
| 7 | 09-4827-00-07 |
| 8 DIN | 09-4831-00-08 |
| 12 | 09-4835-00-12 |
| 14 | 09-4839-00-14 |
| 19 | 09-4843-00-19 |

Technische Daten Specifications

| Polzahl | 3 DIN | 4 | 5 | 6 DIN | 7 | 8 DIN | 12 | 14 | 19 | Number of contacts |
|-----------------------------|---|-----|---|--------------|---|-------|-------------|----|----|--------------------------|
| Steckverbinder Verriegelung | Push-Pull/ Push-Pull | | | | | | | | | Connector locking system |
| Anschlussart | löten/solder | | | | | | | | | Termination |
| Anschlussquerschnitt | max. 0,75 mm ² (max. AWG 20) | | | | max. 0,25 mm ² (max. AWG 24) | | | | | Wire gauge |
| Kabeldurchlass | - | | | | | | | | | Cable outlet |
| Schutzart | IP67 | | | | | | | | | Degree of protection |
| Mechanische Lebensdauer | > 1000 Steckzyklen/> 1000 mating cycles | | | | | | | | | Mechanical operation |
| Obere Grenztemperatur | + 85 °C | | | | | | | | | Upper temperature |
| Untere Grenztemperatur | - 25 °C | | | | | | | | | Lower temperature |
| Bemessungsspannung | 250 V (32 V) | | | 125 V (32 V) | | | 60 V (32 V) | | | Rated voltage |
| Bemessungsstoßspannung | 1500 V | | | 800 V | | | 500 V | | | Rated impulse voltage |
| Verschmutzungsgrad | 1 (2) ¹⁾ | | | | | | | | | Pollution degree |
| Überspannungskategorie | I (II) ¹⁾ | | | | | | | | | Overtoltage categorie |
| Isolierstoffgruppe | III | | | | | | | | | Material group |
| Bemessungsstrom (40°C) | 7 A | 6 A | | 5 A | | | 3 A | | | Rated current (40 °C) |
| Durchgangswiderstand | ≤ 3 mΩ | | | | | | | | | Contact resistance |
| Material Kontakt | CuZn (Messing/brass) | | | | | | | | | Material of contact |
| Kontaktoberfläche | Au (Gold/gold) | | | | | | | | | Contact plating |
| Material Kontaktkörper | PBT (UL 94 V-0) | | | | | | | | | Material of contact body |
| Material Gehäuse | PA GF 25 (UL 94 V-0) | | | | | | | | | Material of housing |

¹⁾ Bei Verschm.grad 2, Übersp.kat. II reduzierte Bemessungsspannung 32 V. / ¹⁾ In case of pollution degree 2, overvoltage category II rated voltage is reduced to 32 V.

Miniatursteckverbinder Serie 440 Miniature connectors series 440

Bezeichnung
Description

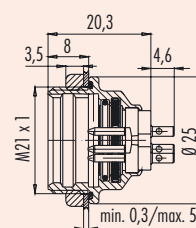
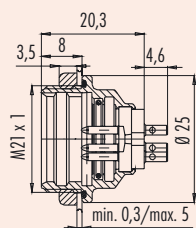
Flanschstecker, von vorn verschraubbar, IP67
Male socket, front fastened, IP67

Flanschstecker, von vorn verschraubbar, IP67, geschirmt
Male socket, front fastened, IP67, shielded

Abbildung
Figure



Maßzeichnung
Drawing



Bestell-Nr.
Ordering-No.

| Polzahl Contacts | Bestell-Nr. Ordering-No. |
|---------------------|-----------------------------|
| 3 DIN | 09-4807-80-03 |
| 4 | 09-4811-80-04 |
| 5 | 09-4815-80-05 |
| 6 DIN | 09-4819-80-06 |
| 7 | 09-4827-80-07 |
| 8 DIN | 09-4831-80-08 |
| 12 | 09-4835-80-12 |
| 14 | 09-4839-80-14 |
| 19 | 09-4843-80-19 |

| Polzahl Contacts | Bestell-Nr. Ordering-No. |
|---------------------|-----------------------------|
| 3 DIN | 09-4807-81-03 |
| 4 | 09-4811-81-04 |
| 5 | 09-4815-81-05 |
| 6 DIN | 09-4819-81-06 |
| 7 | 09-4827-81-07 |
| 8 DIN | 09-4831-81-08 |
| 12 | 09-4835-81-12 |
| 14 | 09-4839-81-14 |
| 19 | 09-4843-81-19 |

Technische Daten Specifications

| | 3 DIN | 4 | 5 | 6 DIN | 7 | 8 DIN | 12 | 14 | 19 | |
|-----------------------------|---|-----|---|--------------|---|---|-------------|----|----|--------------------------|
| Polzahl | 3 DIN | 4 | 5 | 6 DIN | 7 | 8 DIN | 12 | 14 | 19 | Number of contacts |
| Steckverbinder Verriegelung | Push-Pull/ Push-Pull | | | | | | | | | Connector locking system |
| Anschlussart | löten/solder | | | | | | | | | Termination |
| Anschlussquerschnitt | max. 0,75 mm ² (max. AWG 20) | | | | | max. 0,25 mm ² (max. AWG 24) | | | | Wire gauge |
| Kabeldurchlass | - | | | | | | | | | Cable outlet |
| Schutzart | IP67 | | | | | | | | | Degree of protection |
| Mechanische Lebensdauer | > 1000 Steckzyklen/> 1000 mating cycles | | | | | | | | | Mechanical operation |
| Obere Grenztemperatur | + 85 °C | | | | | | | | | Upper temperature |
| Untere Grenztemperatur | - 25 °C | | | | | | | | | Lower temperature |
| Bemessungsspannung | 250 V (32 V) | | | 125 V (32 V) | | | 60 V (32 V) | | | Rated voltage |
| Bemessungsstoßspannung | 1500 V | | | 800 V | | | 500 V | | | Rated impulse voltage |
| Verschmutzungsgrad | 1 (2) ¹⁾ | | | | | | | | | Pollution degree |
| Überspannungskategorie | I (II) ¹⁾ | | | | | | | | | Overvoltage category |
| Isolierstoffgruppe | III | | | | | | | | | Material group |
| Bemessungsstrom (40 °C) | 7 A | 6 A | | 5 A | | | 3 A | | | Rated current (40 °C) |
| Durchgangswiderstand | ≤ 3 mΩ | | | | | | | | | Contact resistance |
| Material Kontakt | CuZn (Messing/brass) | | | | | | | | | Material of contact |
| Kontaktoberfläche | Au (Gold/gold) | | | | | | | | | Contact plating |
| Material Kontaktkörper | PBT (UL 94 V-0) | | | | | | | | | Material of contact body |
| Material Gehäuse | PA GF 25 (UL 94 V-0) | | | | | | | | | Material of housing |

5 Push-Pull

¹⁾ Bei Verschm.grad 2, Übersp.kat. II reduzierte Bemessungsspannung 32 V./¹⁾ In case of pollution degree 2, overvoltage category II rated voltage is reduced to 32 V.

Miniatursteckverbinder Serie 440 Miniature connectors series 440

Bezeichnung
Description

Flanschdose IP40
Female socket IP40

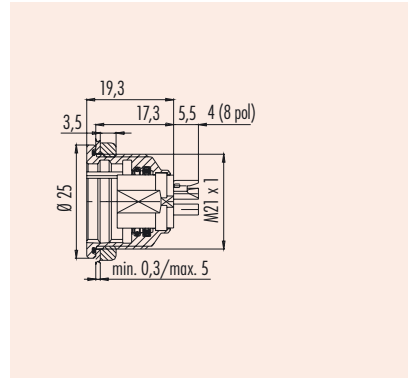
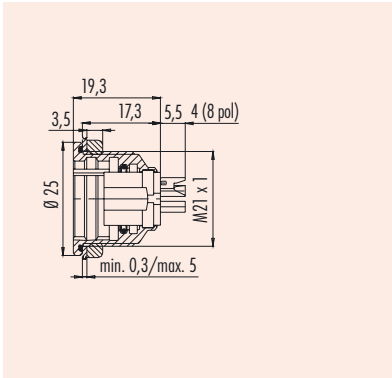
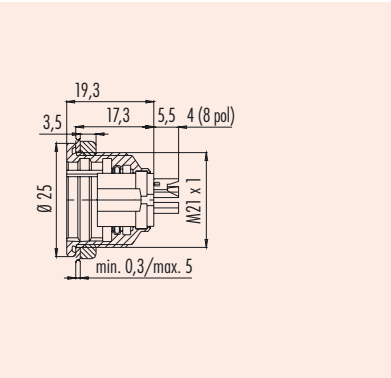
Flanschdose IP67
Female socket IP67

Flanschdose IP67, **geschirmt**
Female socket IP67, **shielded**

Abbildung
Figure



Maßzeichnung
Drawing



Bestell-Nr.
Ordering-No.

| Polzahl Contacts | Bestell-Nr. Ordering-No. |
|---------------------|-----------------------------|
| 3 DIN | 09-4808-25-03 |
| 4 | 09-4812-25-04 |
| 5 | 09-4816-25-05 |
| 6 DIN | 09-4820-25-06 |
| 7 | 09-4828-25-07 |
| 8 DIN | 09-4832-25-08 |
| 12 | 09-4836-25-12 |
| 14 | 09-4840-25-14 |
| 19 | 09-4844-25-19 |

| Polzahl Contacts | Bestell-Nr. Ordering-No. |
|---------------------|-----------------------------|
| 3 DIN | 09-4808-15-03 |
| 4 | 09-4812-15-04 |
| 5 | 09-4816-15-05 |
| 6 DIN | 09-4820-15-06 |
| 7 | 09-4828-15-07 |
| 8 DIN | 09-4832-15-08 |
| 12 | 09-4836-15-12 |
| 14 | 09-4840-15-14 |
| 19 | 09-4844-15-19 |

| Polzahl Contacts | Bestell-Nr. Ordering-No. |
|---------------------|-----------------------------|
| 3 DIN | 09-4808-00-03 |
| 4 | 09-4812-00-04 |
| 5 | 09-4816-00-05 |
| 6 DIN | 09-4820-00-06 |
| 7 | 09-4828-00-07 |
| 8 DIN | 09-4832-00-08 |
| 12 | 09-4836-00-12 |
| 14 | 09-4840-00-14 |
| 19 | 09-4844-00-19 |

Technische Daten Specifications

| Polzahl | 3 DIN | 4 | 5 | 6 DIN | 7 | 8 DIN | 12 | 14 | 19 | Number of contacts |
|-----------------------------|---|-----|---|--------------|---|-------|-------------|----|----|--------------------------|
| Steckverbinder Verriegelung | Push-Pull/ Push-Pull | | | | | | | | | Connector locking system |
| Anschlussart | löten/solder | | | | | | | | | Termination |
| Anschlussquerschnitt | max. 0,75 mm ² (max. AWG 20) | | | | max. 0,25 mm ² (max. AWG 24) | | | | | Wire gauge |
| Kabeldurchlass | - | | | | | | | | | Cable outlet |
| Schutzart | IP67 | | | | | | | | | Degree of protection |
| Mechanische Lebensdauer | > 1000 Steckzyklen/> 1000 mating cycles | | | | | | | | | Mechanical operation |
| Obere Grenztemperatur | + 85 °C | | | | | | | | | Upper temperature |
| Untere Grenztemperatur | - 25 °C | | | | | | | | | Lower temperature |
| Bemessungsspannung | 250 V (32 V) | | | 125 V (32 V) | | | 60 V (32 V) | | | Rated voltage |
| Bemessungsstoßspannung | 1500 V | | | 800 V | | | 500 V | | | Rated impulse voltage |
| Verschmutzungsgrad | 1 (2) ¹⁾ | | | | | | | | | Pollution degree |
| Überspannungskategorie | I (II) ¹⁾ | | | | | | | | | Overtoltage categorie |
| Isolierstoffgruppe | III | | | | | | | | | Material group |
| Bemessungsstrom (40°C) | 7 A | 6 A | | 5 A | | | 3 A | | | Rated current (40 °C) |
| Durchgangswiderstand | ≤ 3 mΩ | | | | | | | | | Contact resistance |
| Material Kontakt | CuSn (Bronze/bronze) | | | | | | | | | Material of contact |
| Kontaktoberfläche | Au (Gold/gold) | | | | | | | | | Contact plating |
| Material Kontaktkörper | PBT (UL 94 V-0) | | | | | | | | | Material of contact body |
| Material Gehäuse | PA GF 25 (UL 94 V-0) | | | | | | | | | Material of housing |

¹⁾ Bei Verschm.grad 2, Übersp.kat. II reduzierte Bemessungsspannung 32 V. / ¹⁾ In case of pollution degree 2, overvoltage category II rated voltage is reduced to 32 V.

- ü
- TI
- SI IP40
- SI IP67
- Bayonett
- PP IP67
- M9 IP40
- M9 IP67
- SI IP67
- Bayonett
- PP IP67
- M16 IP40
- M16 IP67
- M23
- Bayonett
- M25
- RD24
- RD30
- M5
- M8
- M12-A
- VL
- M12 PP
- Verteiler
- M12-B
- M12-D
- M12-US
- M18
- 7/8"
- BFA
- BF-B
- BF-C
- R

Miniatursteckverbinder Serie 440
Miniature connectors series 440

Bezeichnung
Description

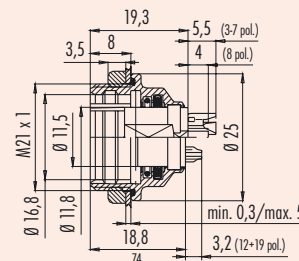
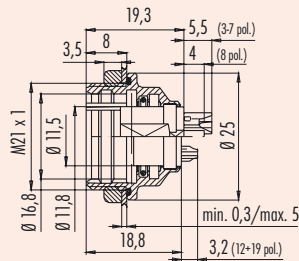
Flanschdose, von vorn verschraubbar, IP67
 Female socket, front fastened, IP67

Flanschdose, von vorn verschraubbar, IP67, **geschirmt**
 Female socket, front fastened, IP67, **shielded**

Abbildung
Figure



Maßzeichnung
Drawing



Bestell-Nr.
Ordering-No.

| Polzahl Contacts | Bestell-Nr. Ordering-No. |
|---------------------|-----------------------------|
| 3 DIN | 09-4808-80-03 |
| 4 | 09-4812-80-04 |
| 5 | 09-4816-80-05 |
| 6 DIN | 09-4820-80-06 |
| 7 | 09-4828-80-07 |
| 8 DIN | 09-4832-80-08 |
| 12 | 09-4836-80-12 |
| 14 | 09-4840-80-14 |
| 19 | 09-4844-80-19 |

| Polzahl Contacts | Bestell-Nr. Ordering-No. |
|---------------------|-----------------------------|
| 3 DIN | 09-4808-81-03 |
| 4 | 09-4812-81-04 |
| 5 | 09-4816-81-05 |
| 6 DIN | 09-4820-81-06 |
| 7 | 09-4828-81-07 |
| 8 DIN | 09-4832-81-08 |
| 12 | 09-4836-81-12 |
| 14 | 09-4840-81-14 |
| 19 | 09-4844-81-19 |

Technische Daten
Specifications

| | 3 DIN | 4 | 5 | 6 DIN | 7 | 8 DIN | 12 | 14 | 19 | |
|-----------------------------|---|-----|---|--------------|-----|---|-------------|-----|----|--------------------------|
| Polzahl | 3 DIN | 4 | 5 | 6 DIN | 7 | 8 DIN | 12 | 14 | 19 | Number of contacts |
| Steckverbinder Verriegelung | Push-Pull/ Push-Pull | | | | | | | | | Connector locking system |
| Anschlussart | löten/solder | | | | | | | | | Termination |
| Anschlussquerschnitt | max. 0,75 mm ² (max. AWG 20) | | | | | max. 0,25 mm ² (max. AWG 24) | | | | Wire gauge |
| Kabeldurchlass | 4-8 mm | | | | | | | | | Cable outlet |
| Schutzart | IP67 | | | | | | | | | Degree of protection |
| Mechanische Lebensdauer | > 1000 Steckzyklen/> 1000 mating cycles | | | | | | | | | Mechanical operation |
| Obere Grenztemperatur | + 85 °C | | | | | | | | | Upper temperature |
| Untere Grenztemperatur | - 25 °C | | | | | | | | | Lower temperature |
| Bemessungsspannung | 250 V (32 V) | | | 125 V (32 V) | | | 60 V (32 V) | | | Rated voltage |
| Bemessungsstoßspannung | 1500 V | | | 800 V | | | 500 V | | | Rated impulse voltage |
| Verschmutzungsgrad | 1 (2) ¹⁾ | | | | | | | | | Pollution degree |
| Überspannungskategorie | I (II) ¹⁾ | | | | | | | | | Overvoltage category |
| Isolierstoffgruppe | III | | | | | | | | | Material group |
| Bemessungsstrom (40 °C) | 7 A | 6 A | | | 5 A | | | 3 A | | Rated current (40 °C) |
| Durchgangswiderstand | ≤ 3 mΩ | | | | | | | | | Contact resistance |
| Material Kontakt | CuSn (Bronze/bronze) | | | | | | | | | Material of contact |
| Kontaktoberfläche | Au (Gold/gold) | | | | | | | | | Contact plating |
| Material Kontaktkörper | PBT (UL 94 V-0) | | | | | | | | | Material of contact body |
| Material Gehäuse | PA GF 25 (UL 94 V-0) | | | | | | | | | Material of housing |

7 Push-Pull

¹⁾ Bei Verschm.grad 2, Übersp.kat. II reduzierte Bemessungsspannung 32 V./ ¹⁾ In case of pollution degree 2, overvoltage category II rated voltage is reduced to 32 V.

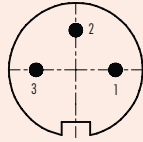
Miniatursteckverbinder Serie 440 Miniature connectors series 440

Polbilder
Contact arrangements

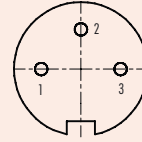
Stifteinsatz (Steckseite)
Male insert (mating side)

Buchseinsatz (Steckseite)
Female insert (mating side)

3 pol (DIN 41524)
3 contacts (DIN 41524)

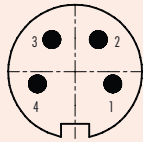


| | X | Y |
|---|-------|------|
| 1 | 3,50 | 0,00 |
| 2 | 0,00 | 3,50 |
| 3 | -3,50 | 0,00 |

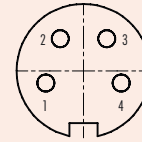


| | X | Y |
|---|-------|------|
| 1 | -3,50 | 0,00 |
| 2 | 0,00 | 3,50 |
| 3 | 3,50 | 0,00 |

4 pol
4 contacts

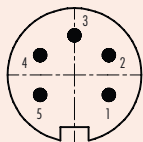


| | X | Y |
|---|-------|-------|
| 1 | 3,32 | -1,08 |
| 2 | 2,05 | 2,83 |
| 3 | -2,05 | 2,83 |
| 4 | -3,32 | -1,08 |

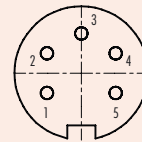


| | X | Y |
|---|-------|-------|
| 1 | -3,32 | -1,08 |
| 2 | -2,05 | 2,83 |
| 3 | 2,05 | 2,83 |
| 4 | 3,32 | -1,08 |

5 pol
5 contacts

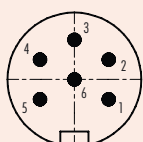


| | X | Y |
|---|-------|-------|
| 1 | 3,03 | -1,75 |
| 2 | 3,03 | 1,75 |
| 3 | 0,00 | 3,50 |
| 4 | -3,03 | 1,75 |
| 5 | -3,03 | -1,75 |

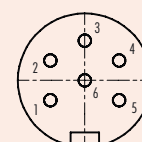


| | X | Y |
|---|-------|-------|
| 1 | -3,03 | -1,75 |
| 2 | -3,03 | 1,75 |
| 3 | 0,00 | 3,50 |
| 4 | 3,03 | 1,75 |
| 5 | 3,03 | -1,75 |

6 pol
6 contacts

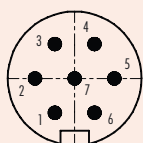


| | X | Y |
|---|-------|-------|
| 1 | 3,03 | -1,75 |
| 2 | 3,03 | 1,75 |
| 3 | 0,00 | 3,50 |
| 4 | -3,03 | 1,75 |
| 5 | -3,03 | -1,75 |
| 6 | 0,00 | 0,00 |

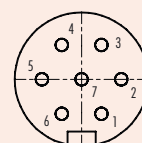


| | X | Y |
|---|-------|-------|
| 1 | -3,03 | -1,75 |
| 2 | -3,03 | 1,75 |
| 3 | 0,00 | 3,50 |
| 4 | 3,03 | 1,75 |
| 5 | 3,03 | -1,75 |
| 6 | 0,00 | 0,00 |

7 pol
7 contacts



| | X | Y |
|---|-------|-------|
| 1 | -1,75 | -3,03 |
| 2 | -3,50 | 0,00 |
| 3 | -1,75 | 3,03 |
| 4 | 1,75 | 3,03 |
| 5 | 3,50 | 0,00 |
| 6 | 1,75 | -3,03 |
| 7 | 0,00 | 0,00 |



| | X | Y |
|---|-------|-------|
| 1 | 1,75 | -3,03 |
| 2 | 3,50 | 0,00 |
| 3 | 1,75 | 3,03 |
| 4 | -1,75 | 3,03 |
| 5 | -3,50 | 0,00 |
| 6 | -1,75 | -3,03 |
| 7 | 0,00 | 0,00 |



- Ü
- TI
- SI IP40
- SI IP67
- Bajonett
- PP IP67
- M9 IP40
- M9 IP67
- SI IP67
- Bajonett
- PP IP67
- M16 IP40
- M16 IP67
- M23
- Bajonett
- M25
- RD24
- RD30
- M5
- M8
- M12-A
- VL
- M12 PP
- Verteiler
- M12-B
- M12-D
- M12-US
- M18
- 7/8"
- BF-A
- BF-B
- BF-C
- R



Push-Pull

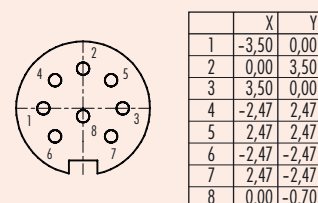
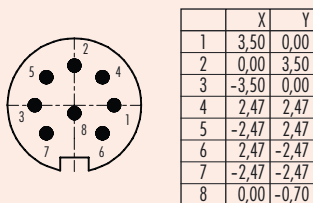
Miniatursteckverbinder Serie 440 Miniature connectors series 440

Polbilder
Contact arrangements

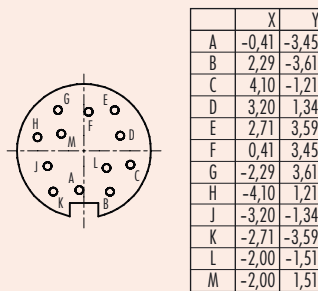
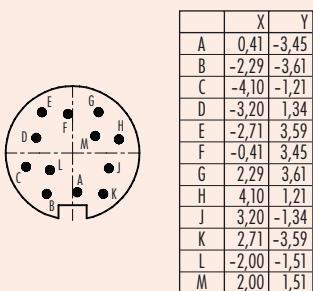
Siftheinsatz (Steckseite)
Male insert (mating side)

Buchseinsatz (Steckseite)
Female insert (mating side)

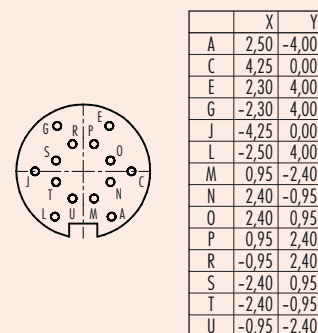
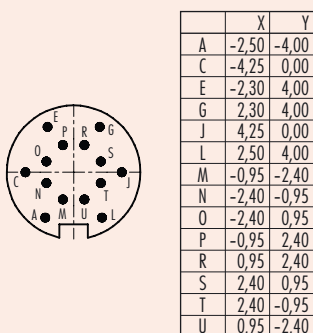
8 pol (DIN 45326)
8 contacts (DIN 45326)



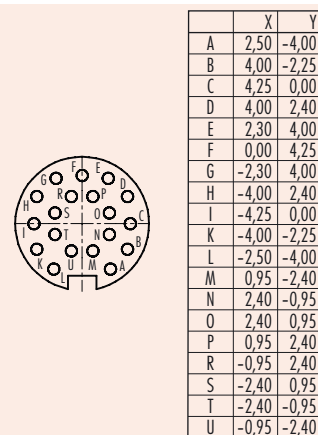
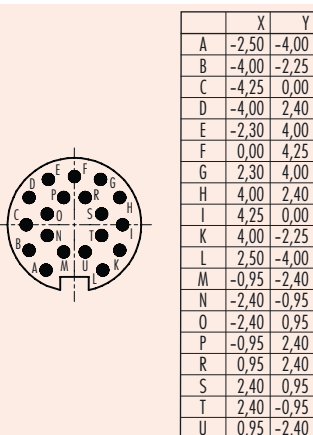
12 pol
12 contacts



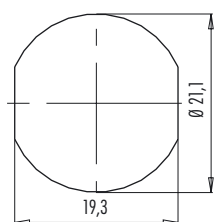
14 pol
14 contacts



19 pol
19 contacts



Montageausschnitt
Panel cut out



11 Push-Pull

X-ON Electronics

Largest Supplier of Electrical and Electronic Components

Click to view similar products for [Binder manufacturer](#):

Other Similar products are found below :

[09 0154 70 08](#) [99-2029-00-12](#) [99 0413 70 05](#) [09 0153 70 08](#) [09 0301 00 02](#) [09 0427 00 08](#) [09 0477 00 07](#) [09 9478 00 07](#) [99 0079 100 04](#) [79-3110-52-04](#) [66-0003-001](#) [99-9127-00-08](#) [99-4221-14-04](#) [09 5283 00 03](#) [99 4635 00 06](#) [09-3462-80-06](#) [79-3104-32-03](#) [66-0005-000](#) [09-0104-300-02](#) [09-0108-300-03](#) [09-0116-300-05](#) [09-0121-25-06](#) [09-0174-782-08](#) [09-0328-290-07](#) [99-5125-15-07](#) [99-9475-102-07](#) [99-0218-210-07](#) [09-3390-186-04](#) [99-0201-00-07](#) [99-0610-02-04](#) [09-0073-20-02](#) [09-0081-20-04](#) [09-0322-92-06](#) [09-0309-09-04](#) [99-3400-400-03](#) [99-2009-210-04](#) [99-0218-110-07](#) [99-3400-110-03](#) [09-4912-080-04](#) [09-0062-00-05](#) [09-0053-80-14](#) [99-0537-12-05](#) [99-0537-52-05](#) [79-3107-52-04](#) [09-2450-180-05](#) [09-4928-015-07](#) [09-2448-180-04](#) [99-4910-00-04](#) [99-5125-19-07](#) [99-5121-09-06](#)