

# Keylite Keyboard Switches



- Long Life
- Gold and silver plated contacts
- Snap-action, definite tactile feel
- Momentary or latching action
- Choice of key colour
- Suitable for CMOS and digital circuitry
- Up to two LED's
- Anti-solder creepage lugs
- Choice of key design
- Interchangeable keys
- Marking available

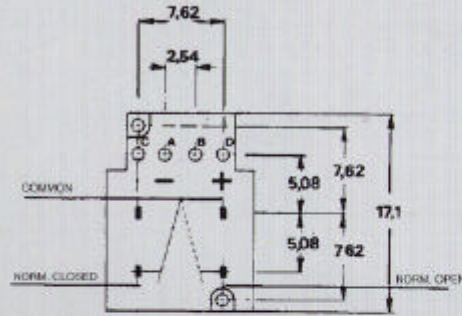
# —NSF—

# Mounting Circuitry

## LED Mountings

Standard

- a) 1 LED Holes A (-) and B (+) (Narrow Leg)
- b) 2 LED's Holes C (+) and A (-)  
Holes B (-) and D (+)



## NON STANDARD MOUNTING TO SPECIAL ORDER ONLY

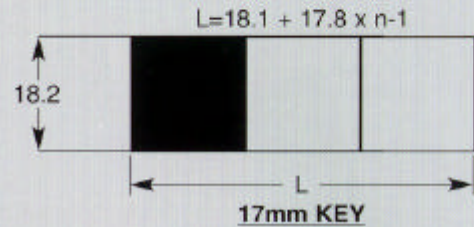
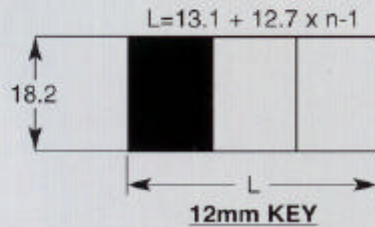
- a) 1 LED Holes C (-) and D (+) (Wide Leg)

## Switch Mounting

Minimum distance between centres.  
Horizontal - 12.7 for narrow buttons  
17.8 for broad buttons.  
Vertical - 17.8 for all buttons

## Panel Cut-out

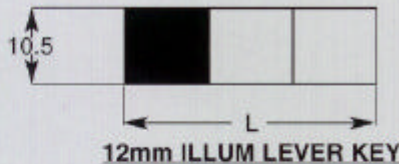
Standard keys  
Stepped key  
Swept key  
Sloped key



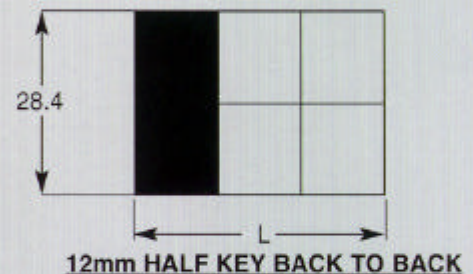
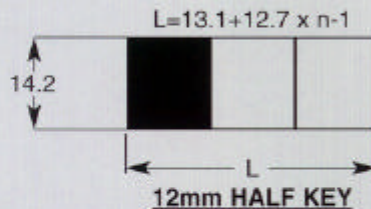
Paddle keys



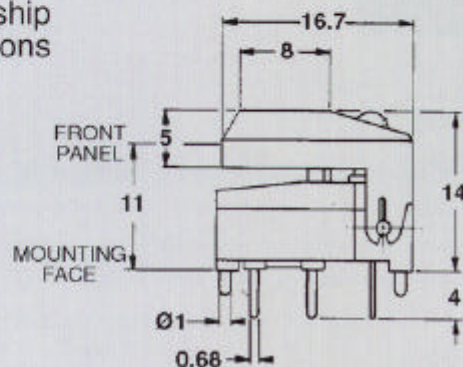
Illuminated lever keys



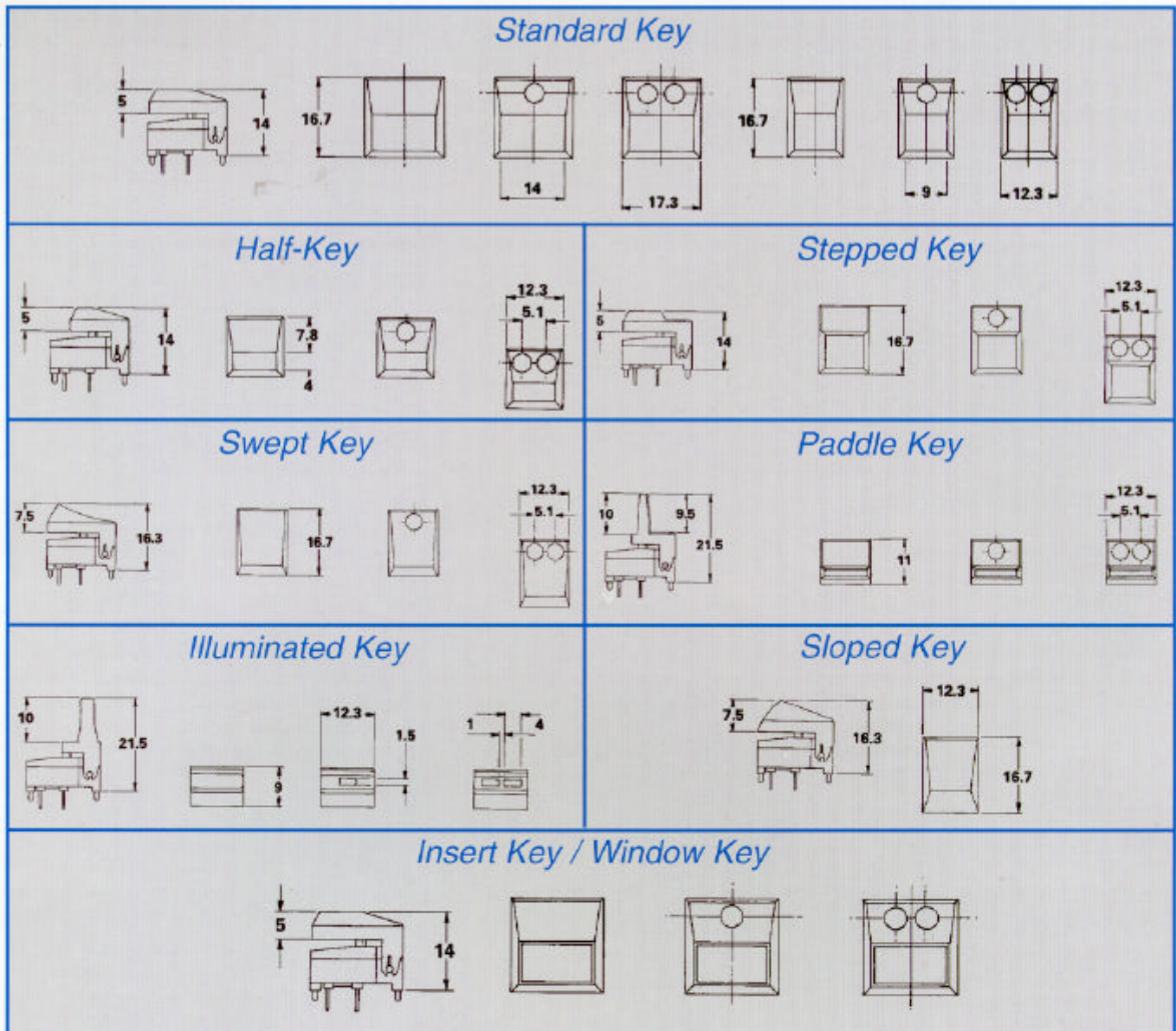
Standard 1/2 keys with back to back variation



Panel/PCB Relationship  
All keylite key variations



## Dimensions



## Specifications

### Electrical

Actuation: Single pole changeover, momentary or alternate action.

Terminations: Printed circuit pins.

Ratings: Switch; standard 10mA 24Vdc.

Contact resistance: Initial; 50 milliohms maximum.

Insulation resistance:  $10^9$  Ohms minimum.

### Mechanical

Key width: Narrow (12mm); broad (17mm).

Key colours: Standard, black; variations.

Operating force: 2N (7.2 oz) maximum.

Total key travel: 2.5mm (.098") maximum.

Contact travel: 1mm (.039") minimum.

Contact bounce: Typical, 1m/s.

Life-typical:  $5 \times 10^6$  operations at rated load (silver,  $1.5 \times 10^6$ ).

Ambient temperature range: -25 to 85°C.

Mounting method: Direct soldering onto standard matrix printed circuit board with levelling facilities.

### Materials

Contacts: Standard; gold plating over silver plated brass; alternative silver plated available.

Housing: Glass filled nylon.

Key: ABS

Marking: Available to order.

### LED's

Colour: Red Green Yellow

Maximum ratings

Forward current: 30mA 20mA 30mA

Forward voltage: 3.0@10mA 3.0@20mA 3.0@10mA

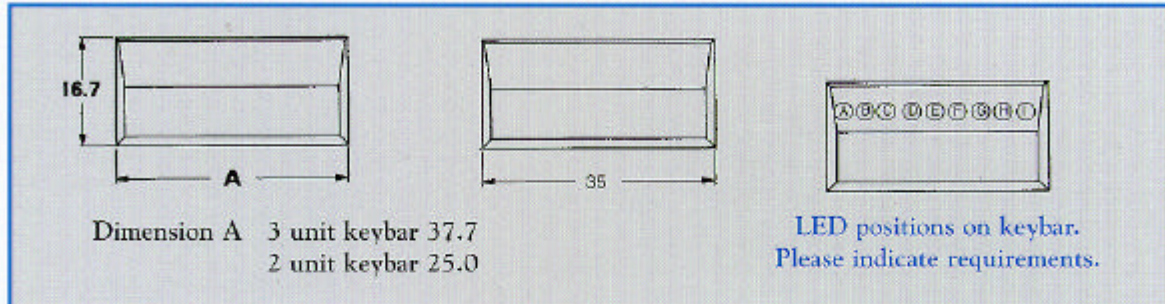
Intensity (Typical): 2.0mcd@ 10mA 1.5mcd@ 20mA 2.0mcd@ 10mA

## Bring a new dimension to your keyboards with coloured inserts

Based upon the existing key with a transparent window, these inserts are moulded in standard colours for colour coding or visual effect. As illustrated on the front cover.

Easily fitted to the key, they can just as easily be changed for another colour. Coloured inserts can also be marked with customers' legends to specification.

## Keybars and switch bases



Item	Contact Plating	To Cover	Part No.
Keybar	-	3 units x K12	623324
Keybar	-	2 units x K12	623328
Keybar	-	2 units x K17	623329
Base	Gold	-	623406
Base	Silver	-	623406/3
Base dummy	-	-	623406/2

Please specify position of LED holes when required, from sketch above.  
 When required, keybars and switch bases are supplied loose.  
 The keybar is supported at each end by a switch base assembly.  
 This can be 2 switching bases or 1 switch and 1 dummy base.

## Ordering Codes

### Basic Switch Type - Key Style - LED requirement - LED positioning & Colour - Key colour - Marking

623300	Momentary Action Gold Plated Contacts
623327	Momentary Action Silver Plated Contacts
623344	Alternate Action Gold Plated Contacts
623408	Alternate Action Silver Plated Contacts

0. No LED  
 1. 1 LED  
 2. 2 LED'S

0. No LED or 1 LED  
 1. Red Left  
 3. Yellow Left  
 5. Green Left

0. No LED or 2 LED'S  
 1. Red Narrow Legs  
 2. Red Wide Legs  
 3. Yellow Narrow Legs  
 4. Yellow Wide Legs  
 5. Green Narrow Legs  
 6. Green Wide Legs

0. No LED or 1 LED  
 1. Red Right  
 3. Yellow Right  
 5. Green Right

01. BLACK  
 02. WHITE  
 03. GREY  
 04. GREEN  
 05. ORANGE  
 06. RED  
 07. BLUE  
 08. YELLOW  
 09. BROWN  
 10. BEIGE

0. No Marking  
 1. Marking Required  
 (Please Specify)

00. 12mm Std Key	25. 17mm Stepped Key	41. 17mm Std Insert Key BLACK*‡	46. Insert Key RED*‡
01. 1/2 Key*	30. 12mm Paddle Lever*	42. Insert Key WHITE*‡	47. Insert Key BLUE*‡
05. 17mm Std Key	31. 12mm Illum. Lever*	43. Insert Key GREY*‡	48. Insert Key YELLOW*‡
06. 17mm Std Re-legendable*	32. 12mm Swept Key*	44. Insert Key GREEN*‡	49. Insert Key BROWN*‡
20. 12mm Stepped Key	33. 12mm Sloping Key*†	45. Insert Key ORANGE*‡	50. Insert Key BEIGE*‡

\* = Alternate Action not available

‡ = Insert Key Colour specified is Insert Colour

† = No LED version only

### Examples

A Momentary Switch, Gold Plated Contacts, 12mm Red Std Key No LED is 623300-000-000-060

An Alternate Action Switch, Gold Plated Contacts, 17mm Grey Key, 1 Red 1 Green LED is 623344-052-105-030

A Momentary Switch, Gold Plated Contacts, 17mm Insert Key, Brown Key with Beige Insert 1 Red LED 2.54mm Pitch is 623300-501-010-090

In light of continued product development we reserve the right to amend specifications without notice

## **X-ON Electronics**

Largest Supplier of Electrical and Electronic Components

*Click to view similar products for [nsf \(controls\) manufacturer:](#)*

Other Similar products are found below :

[MK112S 454633MK](#) [455771MA](#) [MU 454882FPA\(MA\)](#) [MU-MKD 454622FPA\(MK\)](#) [MA112S 454623MA](#) [MU 454883FPA\(MA\)](#)