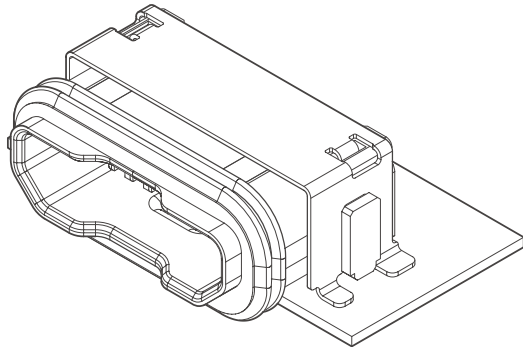




# UB CONNECTOR Micro USB



USB (Universal Serial bus) Conforming Connector (Waterproof)



**This connector is an interface connector for cellular phone and mobile equipment conforming to Micro USB (Universal Serial Bus) Standard that is grade 7 ingress protection of JIS C 0920 (IPX7 of IEC 60529).**

**\*Grade 7 ingress protection of JIS C 0920 (IPX7 of IEC 60529) : Leave it to depths of 1 m for 30 minutes.**

- **Waterproof performance**
- **10,000 cycles of mating/unmating is provided.**
- **Strong structure which welded to caulking part by laser welding**
- **SMT configuration**

## Specifications

- Current rating
  - : Only signal line
  - Signal line (No.2 to 4-circuit): 1.0 A AC, DC/Line
  - : Power supply line
  - Power supply line (No.1, 5-circuit): 1.8 A AC, DC/Line
  - Signal line (No.2 to 4-circuit): 0.5 A AC, DC/Line
- Voltage rating: 30 V AC, DC
- Temperature range: -30°C to +85°C  
(including temperature rise in applying electrical current)
- Contact resistance: Initial value/ 30 mΩ max.  
After environmental tests/ 50 mΩ max.
- Insulation resistance: 1,000 MΩ min.
- Withstanding voltage: 100 VAC/minute

\* Refer to "General Instruction and Notice when using Terminals and Connectors" at the end of this catalog.

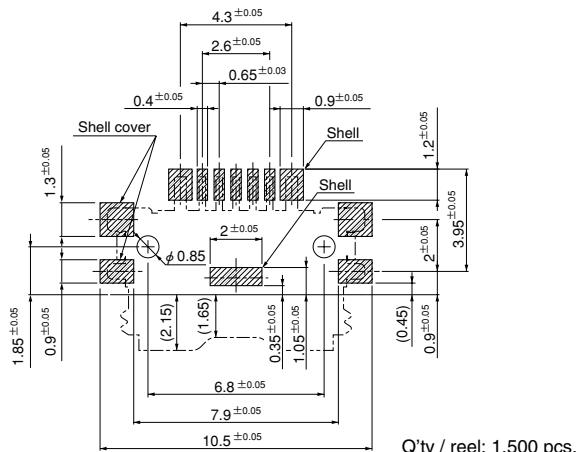
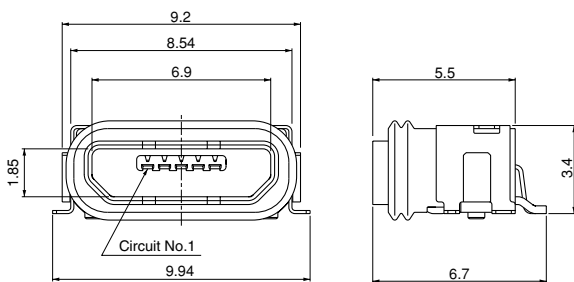
\* Contact JST for details.

\* Compliant with RoHS.

## Receptacle

### Standard B Type

TID No.: 60002098



Model No.	Material and Finish
UB-MC5BR3-SDWP604-4S	Contact: Copper alloy, nickel-undercoated, gold-plated
	Housing: Heat resisting resin, UL94V-0, black
	Shell: SUS, nickel-undercoated, tin-plated
	Shell cover: Copper alloy, nickel-undercoated, tin-plated
	Cap: Heat resisting resin, UL94V-0, black
	Outer seal: Silicon rubber, black
	Sealant: Cured resin

RoHS compliance

## X-ON Electronics

Largest Supplier of Electrical and Electronic Components

*Click to view similar products for [USB Cables](#) / [IEEE 1394 Cables](#) category:*

*Click to view products by [JST](#) manufacturer:*

Other Similar products are found below :

[68768-0173](#) [FNY-W6003-01](#) [88764-0800](#) [13805532](#) [148700-1](#) [17-200621](#) [17-250051P](#) [954](#) [AC102012-2](#) [IP-USB1\(C10\)S-RW](#)  
[CABLE/RTP/USB/DT](#) [0847290003](#) [10115240-12200LF](#) [RS232-GTD](#) [USBFTVX2SA2N03A](#) [USBFTV2SA2N03A](#) [1689404-1](#) [FTP-](#)  
[629Y401](#) [FTP-628Y402](#) [943301-001](#) [FNY-W6022](#) [FNY-W6003-03](#) [1310-1015-05](#) [1310-1018-04](#) [1310-1019-04](#) [0887283402](#) [UA-](#)  
[30AMFM-SL7B02](#) [UA-30AMFM-SL7B01](#) [UA-30AFM-LD7B03](#) [UA-30AMFM-SL7B03](#) [USBAPSCC7202A](#) [UES-1001A160](#) [UES-](#)  
[1003A160](#) [USBFTVX7SA2N20A](#) [USBFTVX2SA2N20A](#) [USBFTV2PEMSA2N10A](#) [FTP-629Y602](#) [USBCAMCM100](#) [USB A/F\\*2 to 2.54](#)  
[2\\*5P-SH L=400mm](#) [EP-CBUSB10P2FLT](#) [1310-1033-01](#) [1310-1037-04](#) [ASR-USB](#) [68784-0075](#) [17-241361](#) [17-230471](#) [217B-BC02](#) [USB-29](#)  
[19800-010500-200-RS](#) [USB+MINI DIN 6P WITH BKT](#)