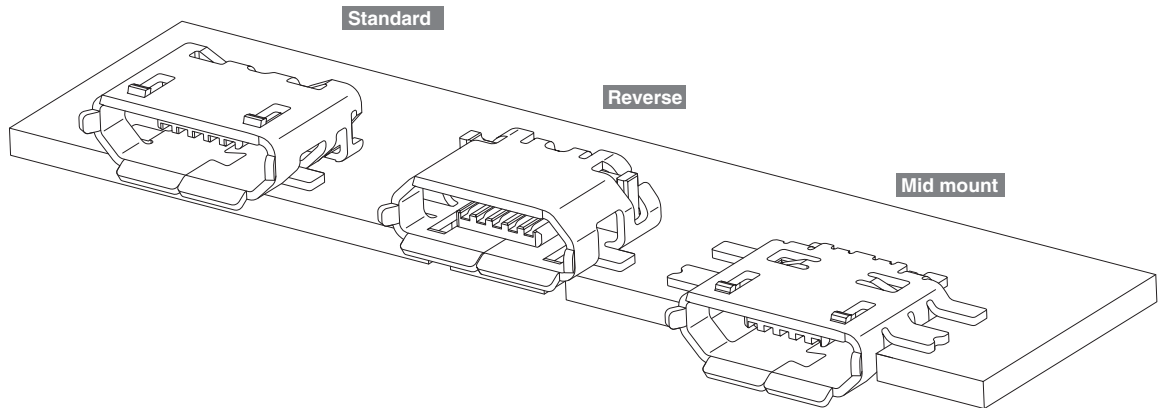


UB CONNECTOR Micro USB

USB (Universal Serial bus) Conforming Connector



This connector is an interface connector for cellular phone and other mobile equipments conforming to Micro USB standard.

- ***It is a space saving design of about 50% reduction in mounting area compared with Mini USB. (Standard B type)***
- ***10,000 cycles of mating/unmating is guaranteed.***
- ***Variations***
- ***SMT configuration***

Specifications

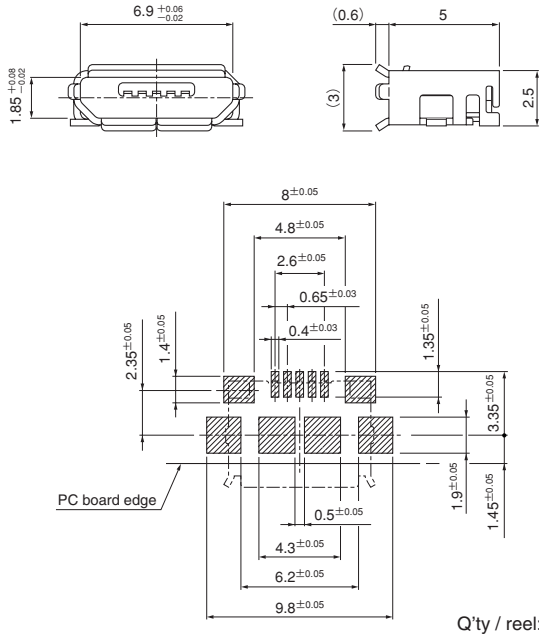
- Current rating: Only signal line
Signal line (No. 2 to 4-circuit): 1.0A AC, DC/Line
: Power supply line
Power supply line (No. 1, 5-circuit): 1.8A AC, DC/Line
Signal line (No. 2 to 4-circuit): 0.5A AC, DC/Line
- Voltage rating: 30V AC, DC
- Temperature range: -30°C to +85°C
(including temperature rise in applying electrical current)
- Contact resistance: Initial value/30mΩ max.
After environmental testing/10mΩ max.
(variation from initial value)
- Insulation resistance: 1,000MΩ min.
- Withstanding voltage: 100V AC/minute
- * Compliant with RoHS.
- * Refer to "General Instruction and Notice when using Terminals and Connectors" at the end of this catalog.
- * Contact JST for details.

UB CONNECTOR Micro USB

Receptacle

Standard B type

TID No.: 60001357



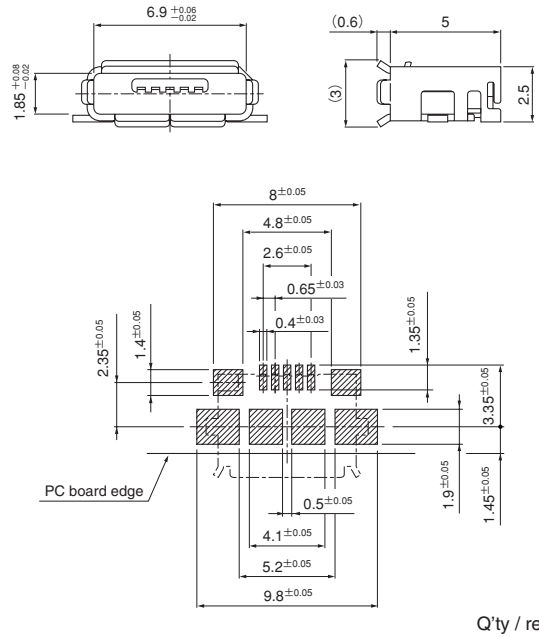
Q'ty / reel: 3,000

Model No.	Material and Finish
UB-MC5BR3-SD204-4S NMP	Contact: Copper alloy, nickel-undercoated, gold-plated Housing: Thermoplastic resin, UL94V-0, black Shell: Stainless, nickel-undercoated, tin-plated

RoHS compliance

Standard AB type

TID No.: 60001359



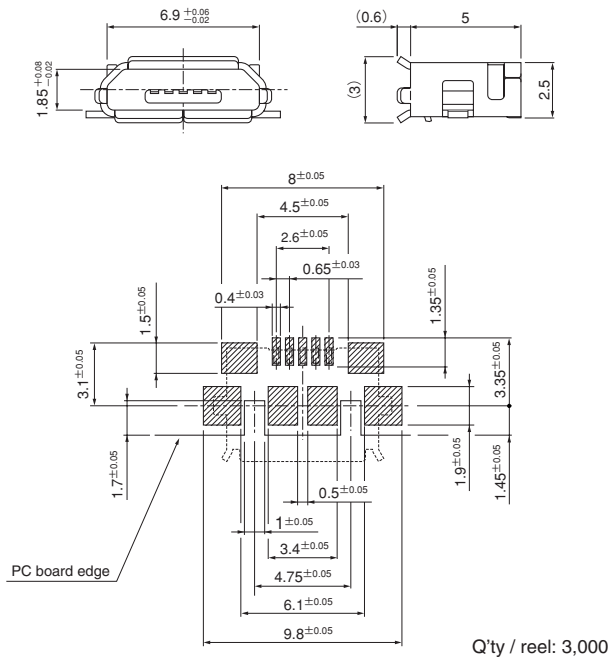
Q'ty / reel: 3,000

Model No.	Material and Finish
UB-MC5ABR3-SD204-4S NMP	Contact: Copper alloy, nickel-undercoated, gold-plated Housing: Thermoplastic resin, UL94V-0, gray Shell: Stainless, nickel-undercoated, tin-plated

RoHS compliance

Reverse B type

TID No.: 60001356



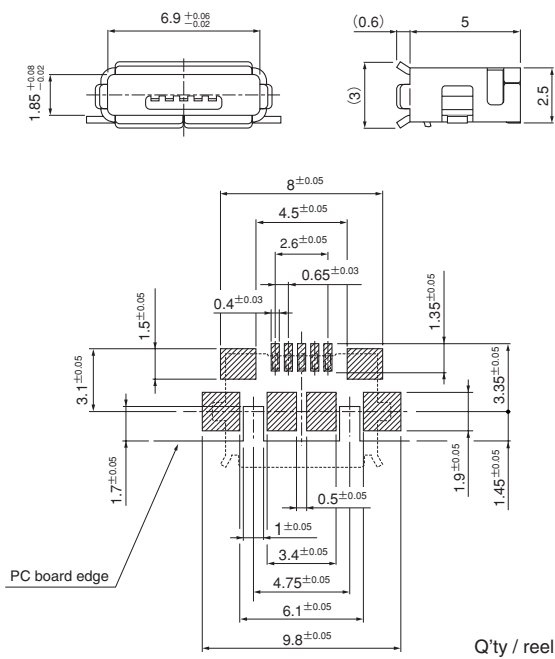
Q'ty / reel: 3,000

Model No.	Material and Finish
UB-MC5BR3-RS04-4S-1 NMP	Contact: Copper alloy, nickel-undercoated, gold-plated Housing: Thermoplastic resin, UL94V-0, black Shell: Stainless, nickel-undercoated, tin-plated

RoHS compliance

Reverse AB type

TID No.: 60001358



Q'ty / reel: 3,000

Model No.	Material and Finish
UB-MC5ABR3-RS04-4S-1 NMP	Contact: Copper alloy, nickel-undercoated, gold-plated Housing: Thermoplastic resin, UL94V-0, gray Shell: Stainless, nickel-undercoated, tin-plated

RoHS compliance

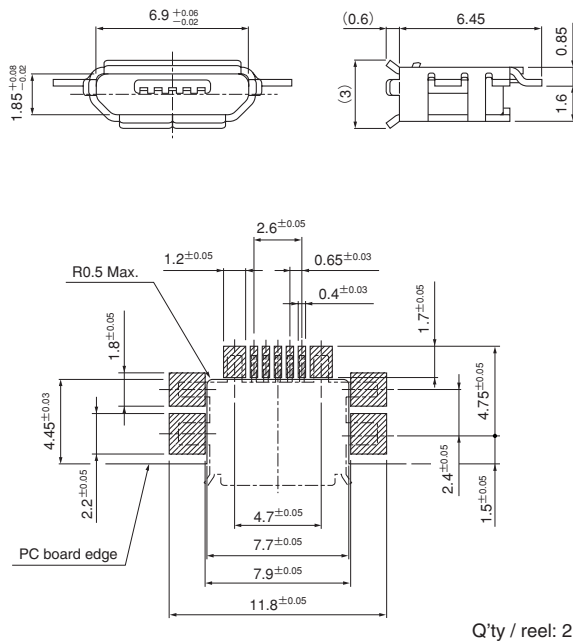
UB CONNECTOR Micro USB

Receptacle

Mid mount B type

Mounting height: 0.85mm

TID No.: 60001355



Q'ty / reel: 2,000

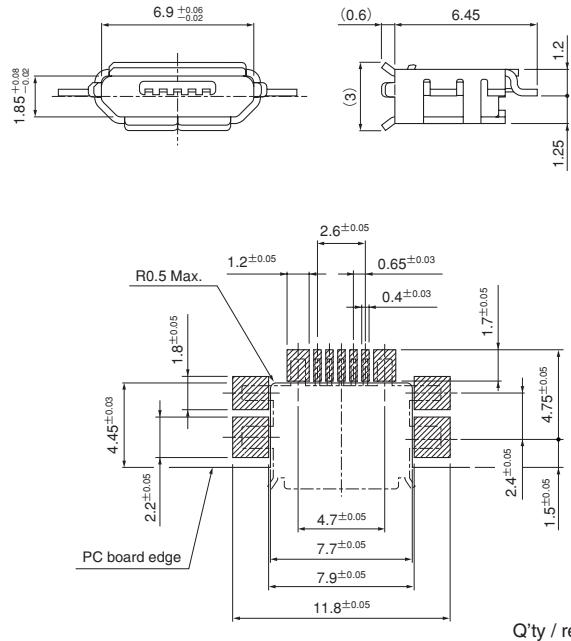
Model No.	Material and Finish
UB-MC5BR3-M04-4S NMP	Contact: Copper alloy, nickel-undercoated, gold-plated Housing: Thermoplastic resin, UL94V-0, black Shell: Stainless, nickel-undercoated, tin-plated

RoHS compliance

Mid mount B type

Mounting height: 1.2mm

TID No.: 62001355



Q'ty / reel: 2,000

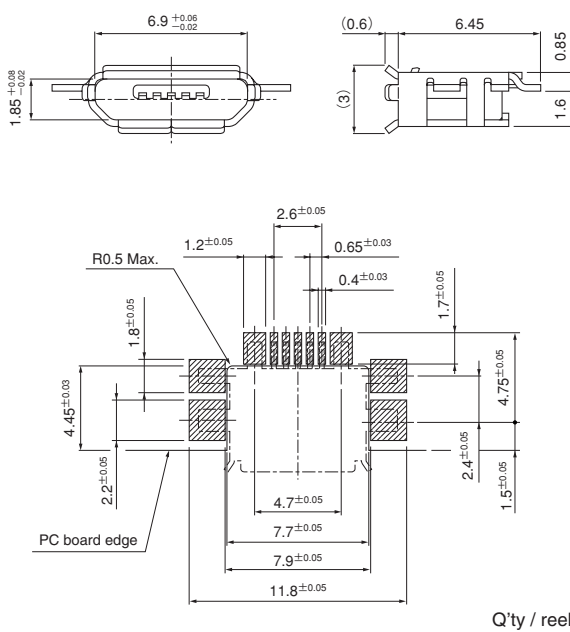
Model No.	Material and Finish
UB-MC5BR3-M404-4S NMP	Contact: Copper alloy, nickel-undercoated, gold-plated Housing: Thermoplastic resin, UL94V-0, black Shell: Stainless, nickel-undercoated, tin-plated

RoHS compliance

Mid mount AB type

Mounting height: 0.85mm

TID No.: 60001365



Q'ty / reel: 2,000

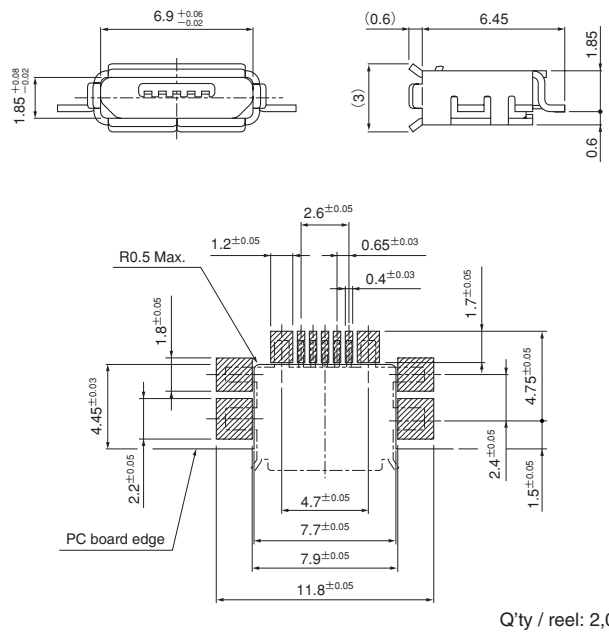
Model No.	Material and Finish
UB-MC5ABR3-M04-4S NMP	Contact: Copper alloy, nickel-undercoated, gold-plated Housing: Thermoplastic resin, UL94V-0, gray Shell: Stainless, nickel-undercoated, tin-plated

RoHS compliance

Mid mount AB type

Mounting height: 1.85mm

TID No.: 63001355



Q'ty / reel: 2,000

Model No.	Material and Finish
UB-MC5ABR3-M204-4S NMP	Contact: Copper alloy, nickel-undercoated, gold-plated Housing: Thermoplastic resin, UL94V-0, gray Shell: Stainless, nickel-undercoated, tin-plated

RoHS compliance

X-ON Electronics

Largest Supplier of Electrical and Electronic Components

Click to view similar products for [jst manufacturer](#):

Other Similar products are found below :

[GS3-0.5](#) [GS8-6](#) [B3B-ZR](#) [B4B-ZR](#) [B5B-XH-A](#) [B5B-ZR](#) [B6B-ZR-SM4-TF](#) [B7B-XH-A](#) [B8B-XH-A](#) [B8B-ZR](#) [BM02B-SRSS-TB](#) [BM06B-SRSS-TB](#) [BM10B-SRSS-TB](#) [FVGS5-6](#) [B2B-ZR-SM4-TF](#) [B34B-PHDSS-B\(LF\)\(SN\)](#) [B3B-ZR-SM4-TF](#) [B5B-ZR-SM4-TF](#) [B6B-XH-A](#) [B7B-ZR-SM4-TF](#) [B8B-ZR-SM4-TF](#) [B8PS-VH](#) [BM04B-SRSS-TB](#) [BM05B-SRSS-TB](#) [IDH-KR-12](#) [10HR-4K](#) [WC-ZE2426](#) [WC-691](#) [WC-122](#) [FVDDF5.5-375A \(LF\)](#) [FVGS12-6 \(LF\)](#) [FVWS2-S3.3 \(LF\)](#) [FVWS5.5-5 \(LF\)](#) [B6PS-VH\(LF\)\(SN\)](#) [FNGS12-6](#) [TWE0.5-8](#) [FVGS4-1 \(LF\)](#) [WC-GVH2630](#) [WC-PUD2](#) [S10B-PH-SM4-TB\(LF\)\(SN\)](#) [B2B-EH-A-TW \(LF\)\(SN\)](#) [B4B-EH-A-TW \(LF\)\(SN\)](#) [B4B-XH-TW \(LF\)\(SN\)](#) [B9B-XH-A](#) [BM02B-GHS-TBT](#) [BM03B-GHS-TBT](#) [BM04B-GHS-TBT](#) [BM06B-GHS-TBT](#) [BM08B-GHS-TBT](#) [BM10B-GHS-TBT](#)