

Type:	2032 ws, 2032 sw	
Description:	Rewirable plug with protective contact, center-straight-entry, DIN 49441-R1 CEE7/IV	
APSA-EDV-Code:	A2032 ws: A2032.0000.01.000 A2032 sw: A2032.0000.02.000	
EAN-Code:	A2032 ws: 4000993120323 A2032 sw: 4000993220320	

Rated voltage, Rated current, IP-code

250V_{AC}, 16A, IP20

Number of poles

2P + PE (R1 earthing contact system)

Kind of construction

DIN 49441-R1, CEE7/IV

Terminals

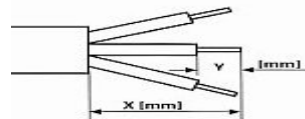
nominal cross-sectional areas of conductors: 0,75 up to 2,5mm²
Terminals: screw-type

Cord

max. diameter: 8,5mm, limited by the protective sleeve aperture

Stripping

2P: X=40mm, PE: X=45mm, conductor for clamp: Y=7mm



Protective sleeve

unaffected, natural Ø6.5
extendable to Ø8.5
removable

Cord anchorage

Material: polypropylene (PP)

Enclosure

Material: polypropylene (PP)

Contacts

2P-pins: brass, nickel-plated
PE protective contact: brass, natural, not plated

Screws plating

2P + PE nickel-plated
Fixing screws zinc-plated

Colors

2029 ws: Enclosure white
2029 sw: Enclosure black

Marks Licence

VDE by VDE Testing and Certification Institute according to DIN VDE 0620-1 (VDE 0620-1):2005-04

EC Declaration of Conformity

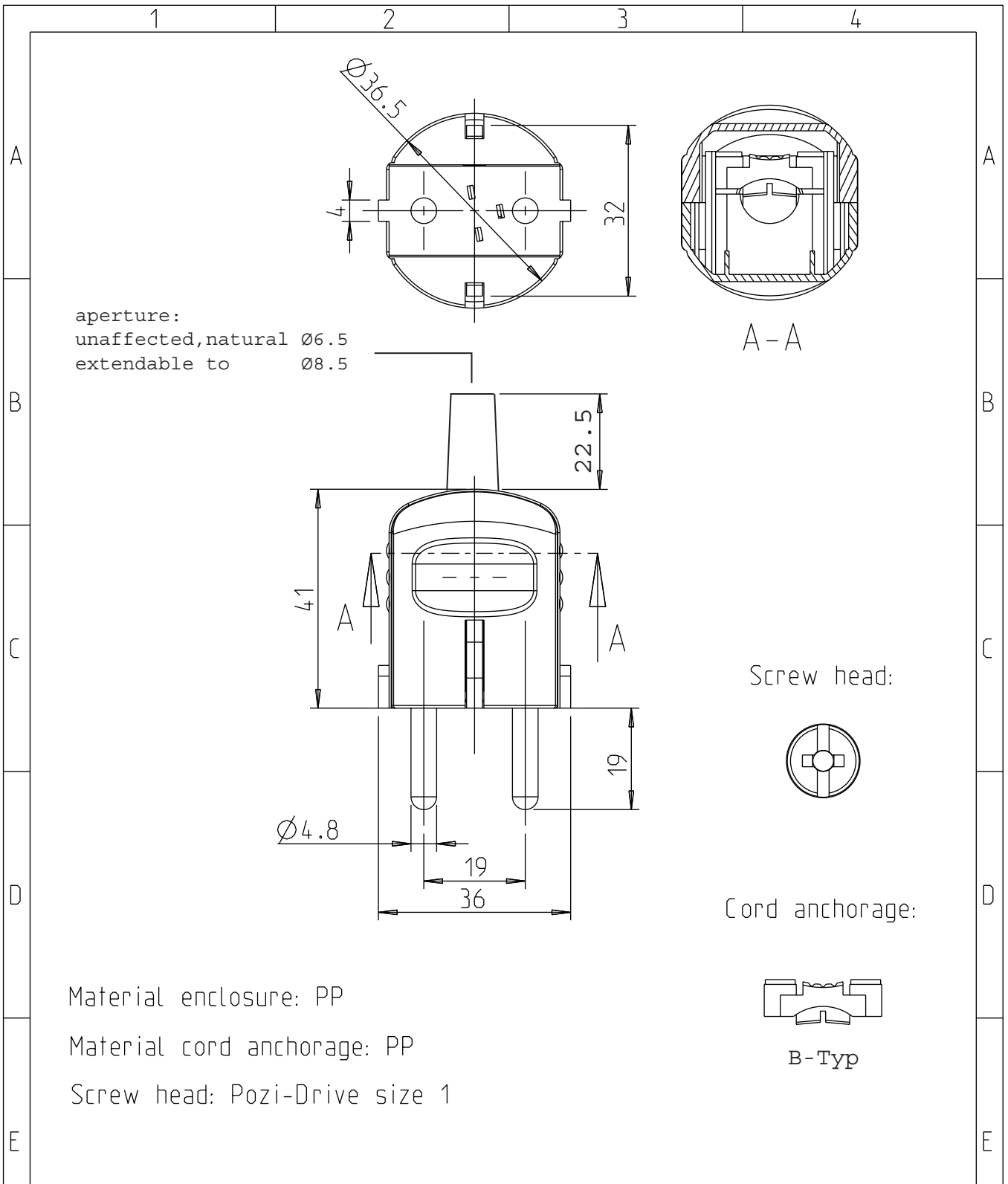
73/23/EEC including amendments

ROHS Declaration of Conformity

2002/95/EC

doc_info

file: APSA_DATASHEET_2032_B_1.pdf
date of issue: 2006-05-04
valid from: 2006-05-04



Dateiname des Zeichnungsobjektes: APSA_2032_BG_PLUG_M_TÜ_00_B							
				Datum	Name	Rewirable plug with protective contact center-straight-entry DIN49441-R1 CEE7/IV Type: 2032	
			Bear.	05.02.2008	pu		
			Gepr.				
			Norm				
				APSA		APSA_DATASHEET_2032_B.pdf 2/2	
Zust.	Änderung	Datum	Nam	(Urspr.)	(Ers.f.:)	(Ers.d.:)	

X-ON Electronics

Largest Supplier of Electrical and Electronic Components

Click to view similar products for [apsa](#) manufacturer:

Other Similar products are found below :

[1049/WS](#)