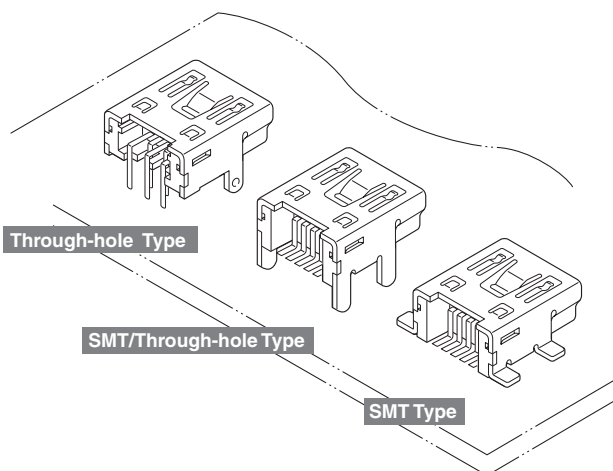




UB CONNECTOR mini-B Type

USB (Universal Serial Bus) Conforming Connector



The USB 2.0 certified receptacle is quite suitable for the interface of the small and miniaturized PC-peripheral products as Digital Cameras and MP3 Players.

- **Space saving design**
- **Shielding and higher reliability of connection**
- **Excellent insertion and withdrawal forces**
- **Variations**

Specifications

- Current rating: 1.0A AC, DC
 - Voltage rating: 30V AC, DC
 - Temperature range: -55°C to +85°C
(including temperature rise in applying electrical current)
 - Contact resistance: Initial value/50m Ω max.
After environmental testing/50m Ω max.
 - Insulation resistance: 1,000M Ω min.
 - Withstanding voltage: 100V AC/minute
 - Applicable wire: Mating with USB 2.0 certified mini-B plug
 - Applicable PC board thickness: Through-hole/1.0mm
SMT-through-hole/
1.0 to 1.2mm
- * Compliant with RoHS.
* Refer to "General Instruction and Notice when using Terminals and Connectors" at the end of this catalog.
* Contact JST for details.

Standards

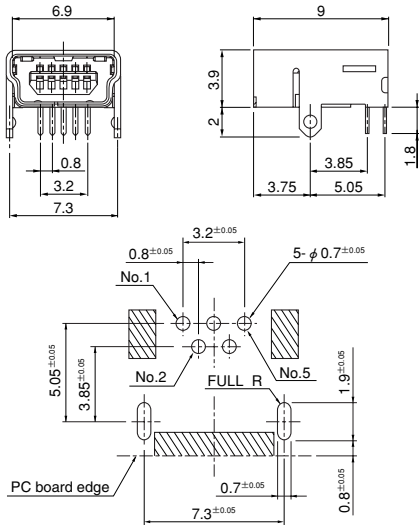
Recognized E60389

UB CONNECTOR mini-B Type

Receptacle

USB 2.0 certified product

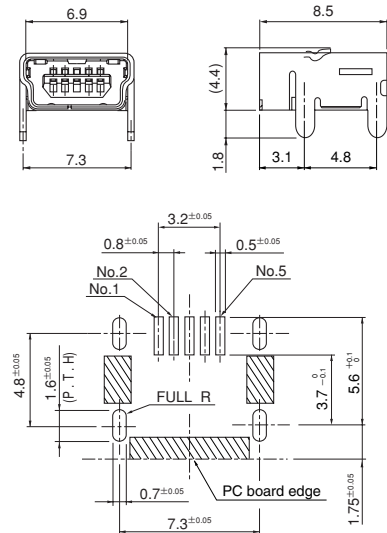
Through-hole/Through-hole



Model No.	Material and Finish		Q'ty/box
UB-M5BR-DM14-4D	Contact	Copper alloy, nickel-undercoated, selective gold-plated	400
	Housing	Thermoplastic resin, UL94V-0	
	Shell	Copper alloy, nickel-undercoated, tin-plated	

RoHS compliance This product displays (LF)(SN) on a label.

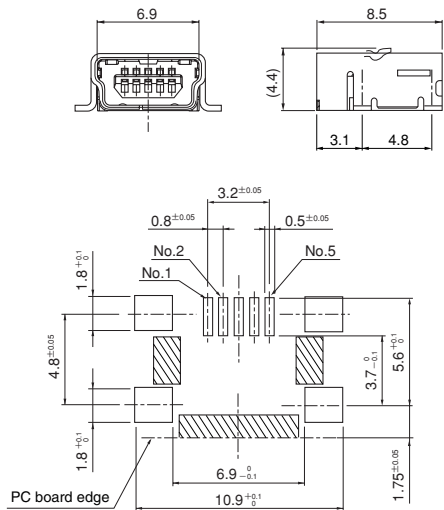
Through-hole/SMT



Model No.	Material and Finish		Q'ty/box
UB-M5BR-S14-4S	Contact	Copper alloy, nickel-undercoated, selective gold-plated	840
	Housing	Heat resisting resin, UL94V-0	
	Shell	Copper alloy, nickel-undercoated, tin-plated	

RoHS compliance This product displays (LF)(SN) on a label.

SMT/SMT



Model No.	Material and Finish		Q'ty/box
UB-M5BR-G14-4S	Contact	Copper alloy, nickel-undercoated, selective gold-plated	840
	Housing	Heat resisting resin, UL94V-0	
	Shell	Copper alloy, nickel-undercoated, tin-plated	

RoHS compliance This product displays (LF)(SN) on a label.

X-ON Electronics

Largest Supplier of Electrical and Electronic Components

Click to view similar products for [USB Cables](#) / [IEEE 1394 Cables](#) category:

Click to view products by [JST manufacturer](#):

Other Similar products are found below :

[68768-0173](#) [FNY-W6003-01](#) [88764-0800](#) [13805532](#) [148700-1](#) [17-200621](#) [17-250051P](#) [954](#) [AC102012-2](#) [IP-USB1\(C10\)S-RW](#)
[CABLE/RTP/USB/DT](#) [0847290003](#) [10115240-12200LF](#) [RS232-GTD](#) [USBFTVX2SA2N03A](#) [USBFTV2SA2N03A](#) [1689404-1](#) [FTP-](#)
[629Y401](#) [FTP-628Y402](#) [943301-001](#) [FNY-W6022](#) [FNY-W6003-03](#) [1310-1015-05](#) [1310-1018-04](#) [1310-1019-04](#) [0887283402](#) [UA-](#)
[30AMFM-SL7B02](#) [UA-30AMFM-SL7B01](#) [UA-30AFM-LD7B03](#) [UA-30AMFM-SL7B03](#) [USBAPSCC7202A](#) [UES-1001A160](#) [UES-](#)
[1003A160](#) [USBFTVX7SA2N20A](#) [USBFTVX2SA2N20A](#) [USBFTV2PEMSA2N10A](#) [FTP-629Y602](#) [USBCAMCM100](#) [USB A/F*2 to 2.54](#)
[2*5P-SH L=400mm](#) [EP-CBUSB10P2FLT](#) [1310-1033-01](#) [1310-1037-04](#) [ASR-USB](#) [68784-0075](#) [17-241361](#) [17-230471](#) [217B-BC02](#) [USB-29](#)
[19800-010500-200-RS](#) [USB+MINI DIN 6P WITH BKT](#)