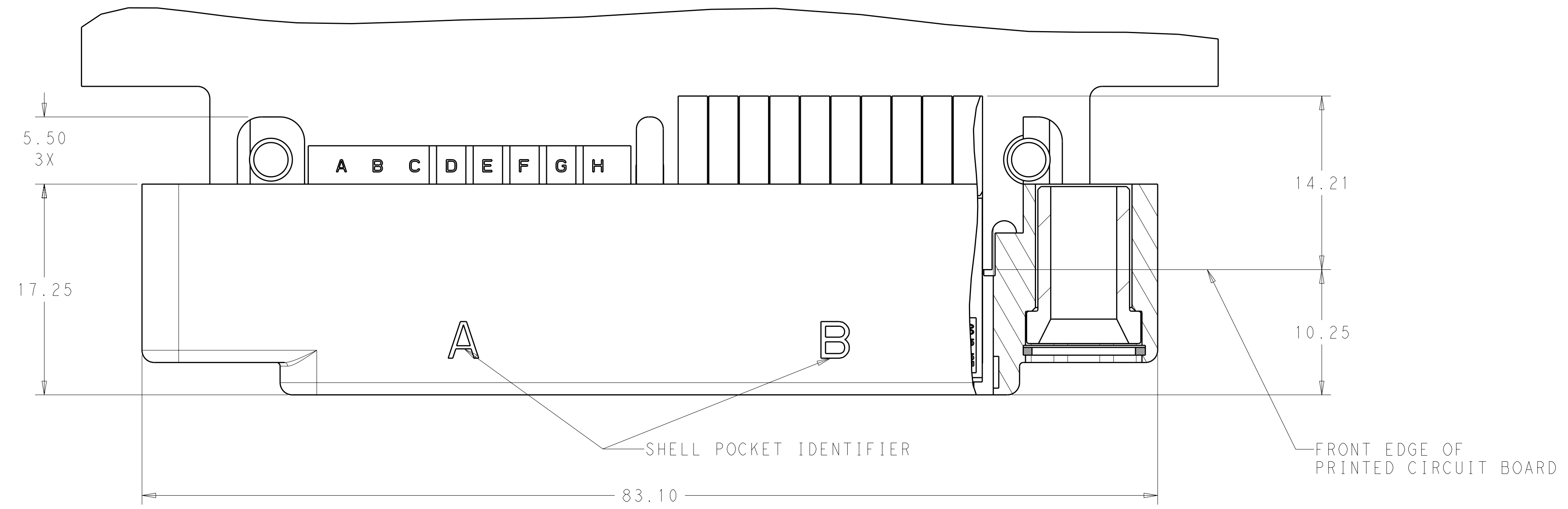
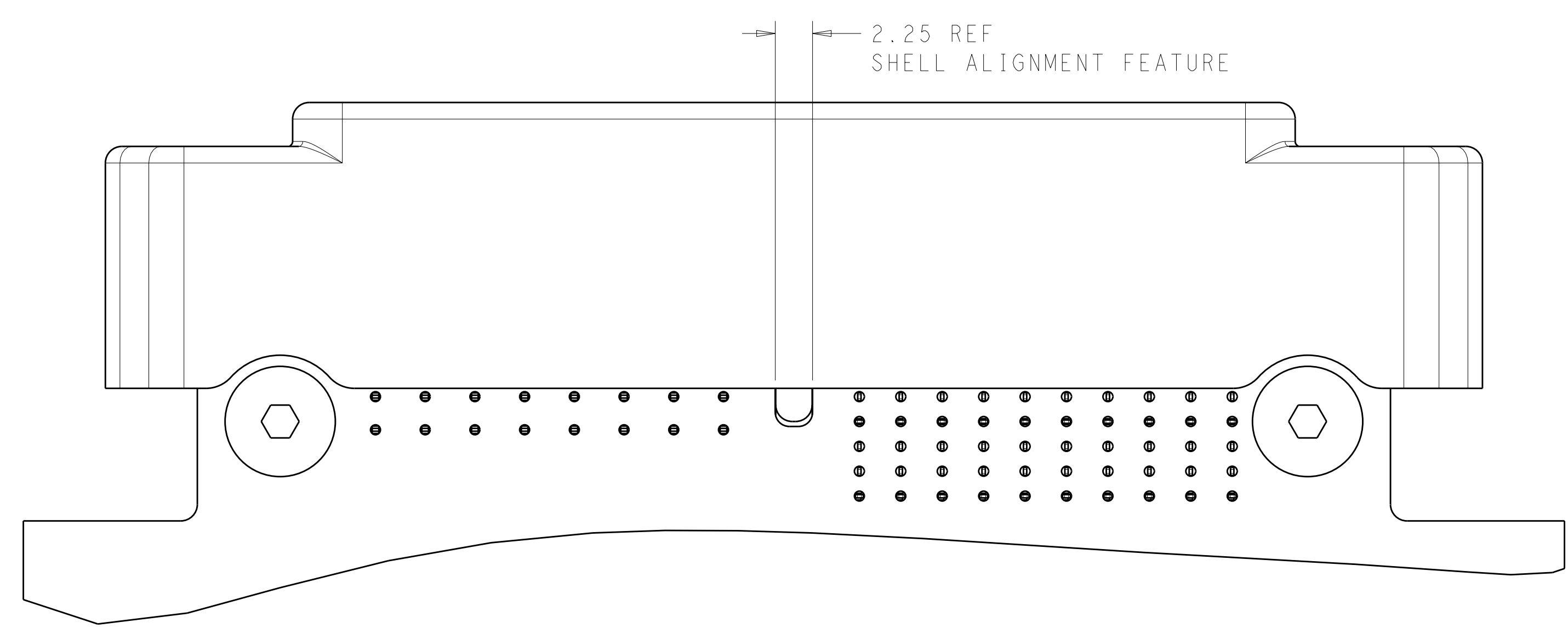
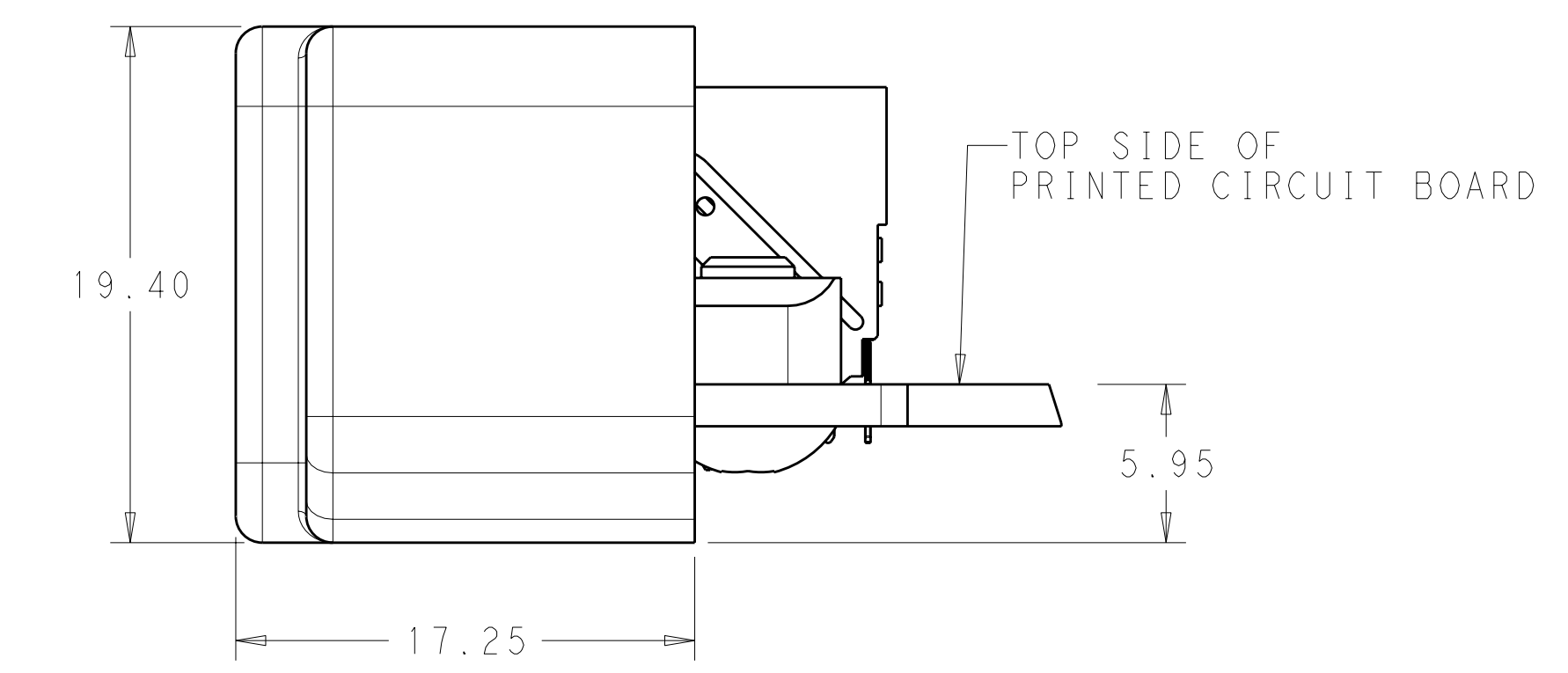
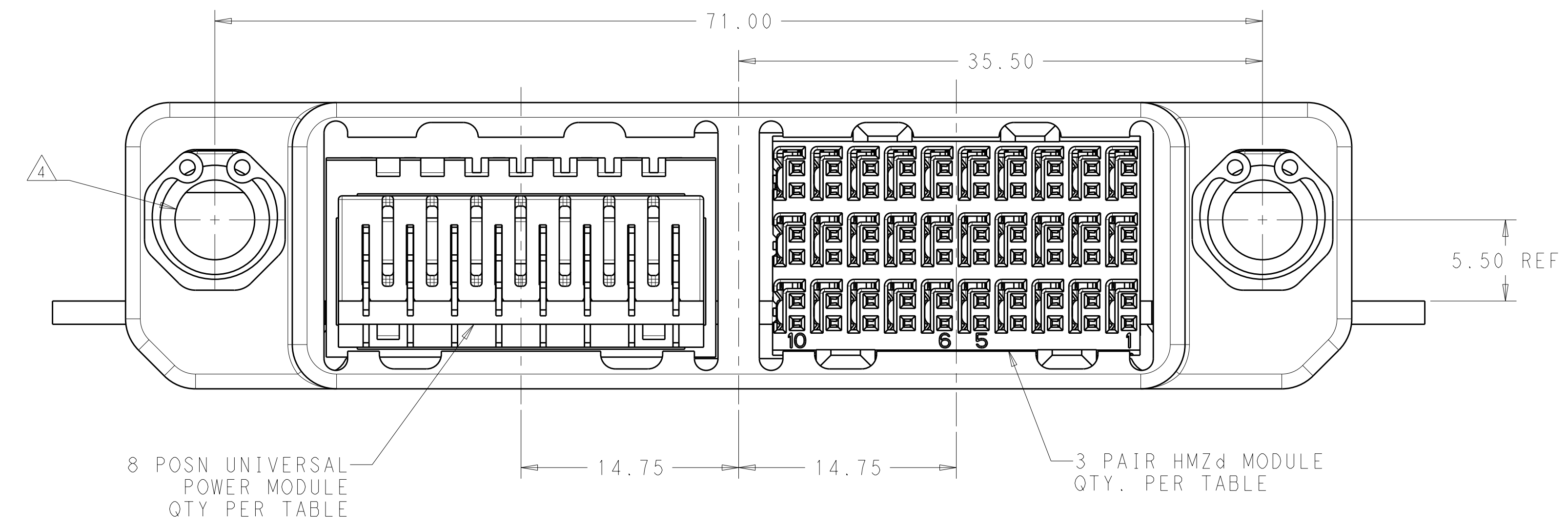


LOC	DIST	REV	DATE	BY	CHK	APPV
-	-	D	3-2-11	CT	DH	



- MATING CONNECTOR FOR THIS CONNECTOR IS 2033994.
- MATERIAL - SHELL: ALUMINUM
HOUSING: GLASS FILLED POLYESTER, UL94V0
RETAINING RING: STAINLESS STEEL
KEYING GUIDE SOCKET: STAINLESS STEEL
- PLATING - CONTACT MATING AREA:
1.27µm MIN GOLD OVER 1.27µm MIN NICKEL
CONTACT PCB AREA: 0.5µm MIN BRIGHT
TIN-LEAD OVER 1.27µm MIN NICKEL
- SHELL: ELECTROLESS NICKEL
- KEYING GUIDE SOCKET AND RETAINING RING
PACKAGED FOR ASSEMBLY BY CUSTOMER.



REV	DESCRIPTION	DATE	BY	CHK	APPV
2					
1					

REV	DESCRIPTION	DATE	BY	CHK	APPV
2					
1					

REV	DESCRIPTION	DATE	BY	CHK	APPV
2					
1					

REV	DESCRIPTION	DATE	BY	CHK	APPV
2					
1					

REV	DESCRIPTION	DATE	BY	CHK	APPV
2					
1					

REV	DESCRIPTION	DATE	BY	CHK	APPV
2					
1					

REV	DESCRIPTION	DATE	BY	CHK	APPV
2					
1					

REV	DESCRIPTION	DATE	BY	CHK	APPV
2					
1					

REV	DESCRIPTION	DATE	BY	CHK	APPV
2					
1					

REV	DESCRIPTION	DATE	BY	CHK	APPV
2					
1					

REV	DESCRIPTION	DATE	BY	CHK	APPV
2					
1					

REV	DESCRIPTION	DATE	BY	CHK	APPV
2					
1					

REV	DESCRIPTION	DATE	BY	CHK	APPV
2					
1					

REV	DESCRIPTION	DATE	BY	CHK	APPV
2					
1					

REV	DESCRIPTION	DATE	BY	CHK	APPV
2					
1					

REV	DESCRIPTION	DATE	BY	CHK	APPV
2					
1					

REV	DESCRIPTION	DATE	BY	CHK	APPV
2					
1					

REV	DESCRIPTION	DATE	BY	CHK	APPV
2					
1					

REV	DESCRIPTION	DATE	BY	CHK	APPV
2					
1					

REV	DESCRIPTION	DATE	BY	CHK	APPV
2					
1					

REV	DESCRIPTION	DATE	BY	CHK	APPV
2					
1					

REV	DESCRIPTION	DATE	BY	CHK	APPV
2					
1					

REV	DESCRIPTION	DATE	BY	CHK	APPV
2					
1					

REV	DESCRIPTION	DATE	BY	CHK	APPV
2					
1					

REV	DESCRIPTION	DATE	BY	CHK	APPV
2					
1					

REV	DESCRIPTION	DATE	BY	CHK	APPV
2					
1					

REV	DESCRIPTION	DATE	BY	CHK	APPV
2					
1					

REV	DESCRIPTION	DATE	BY	CHK	APPV
2					
1					

REV	DESCRIPTION	DATE	BY	CHK	APPV
2					
1					

REV	DESCRIPTION	DATE	BY	CHK	APPV
2					
1					

REV	DESCRIPTION	DATE	BY	CHK	APPV
2					
1					

REV	DESCRIPTION	DATE	BY	CHK	APPV
2					
1					

REV	DESCRIPTION	DATE	BY	CHK	APPV
2					
1					

REV	DESCRIPTION	DATE	BY	CHK	APPV
2					
1					

REV	DESCRIPTION	DATE	BY	CHK	APPV
2					
1					

REV	DESCRIPTION	DATE	BY	CHK	APPV
2					
1					

REV	DESCRIPTION	DATE	BY	CHK	APPV
2					
1					

REV	DESCRIPTION	DATE	BY	CHK	APPV
2					
1					

REV	DESCRIPTION	DATE	BY	CHK	APPV
2					
1					

REV	DESCRIPTION	DATE	BY	CHK	APPV
2					
1					

REV	DESCRIPTION	DATE	BY	CHK	APPV
2					
1					

REV	DESCRIPTION	DATE	BY	CHK	APPV
2					
1					

REV	DESCRIPTION	DATE	BY	CHK	APPV
2					
1					

REV	DESCRIPTION	DATE	BY	CHK	APPV
2					
1					

REV	DESCRIPTION	DATE	BY	CHK	APPV
2					
1					

REV	DESCRIPTION	DATE	BY	CHK	APPV
2					
1					

REV	DESCRIPTION	DATE	BY	CHK	APPV
2					
1					

REV	DESCRIPTION	DATE	BY	CHK	APPV
2					
1					

REV	DESCRIPTION	DATE	BY	CHK	APPV
2					
1					

REV	DESCRIPTION	DATE	BY	CHK	APPV
2					
1					

REV	DESCRIPTION	DATE	BY	CHK	APPV
2					
1					

REV	DESCRIPTION	DATE	BY	CHK	APPV
2					
1					

REV	DESCRIPTION	DATE	BY	CHK	APPV
2					
1					

REV	DESCRIPTION	DATE	BY	CHK	APPV
2					
1					

REV	DESCRIPTION	DATE	BY	CHK	APPV
2					
1					

REV	DESCRIPTION	DATE	BY	CHK	APPV
2					
1					

REV	DESCRIPTION	DATE	BY	CHK	APPV
2					
1					

REV	DESCRIPTION	DATE	BY	CHK	APPV
2					
1					

REV	DESCRIPTION	DATE	BY	CHK	APPV
2					
1					

REV	DESCRIPTION	DATE	BY	CHK	APPV
2					
1					

REV	DESCRIPTION	DATE	BY	CHK	APPV
2					
1					

REV	DESCRIPTION	DATE	BY	CHK	APPV
2					
1					

REV	DESCRIPTION	DATE	BY	CHK	APPV
2					
1					

REV	DESCRIPTION	DATE	BY	CHK	APPV
2					
1					

REV	DESCRIPTION	DATE	BY	CHK	APPV
2					
1					

REV	DESCRIPTION	DATE	BY	CHK	APPV
2					
1					

REV	DESCRIPTION	DATE	BY	CHK	APPV
2					
1					

REV	DESCRIPTION	DATE	BY	CHK	APPV
2					
1					

REV	DESCRIPTION	DATE	BY	CHK	APPV
2					
1					

REV	DESCRIPTION	DATE	BY	CHK	APPV
2					
1					

REV	DESCRIPTION	DATE	BY	CHK	APPV
2					
1					

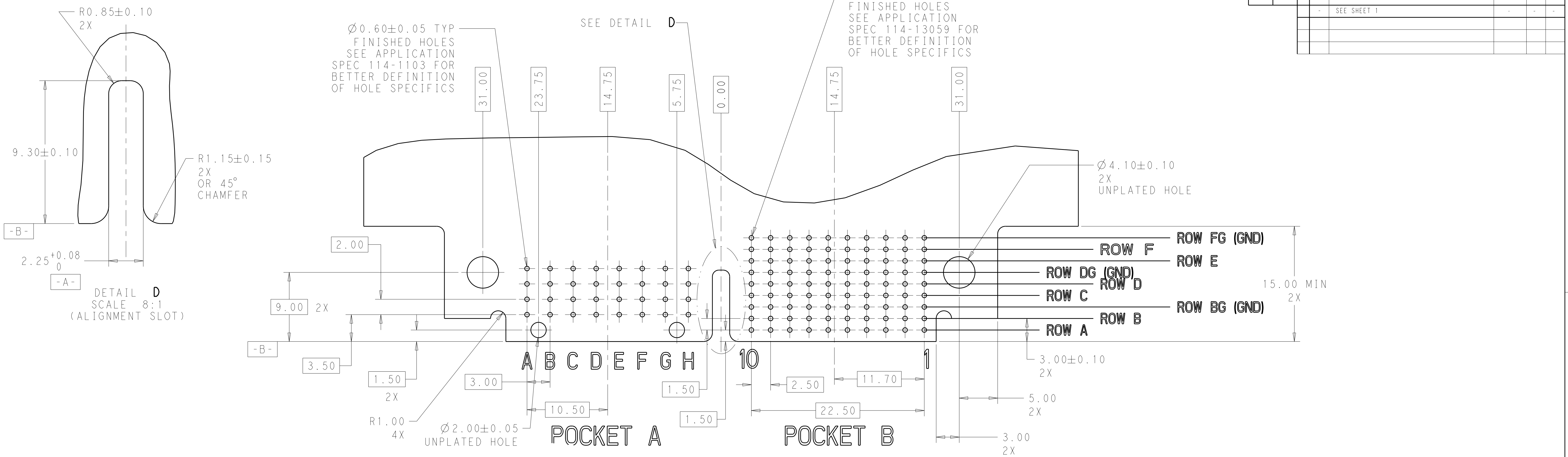
REV	DESCRIPTION	DATE	BY	CHK	APPV
2					
1					

REV	DESCRIPTION	DATE	BY	CHK	APPV
2					
1					

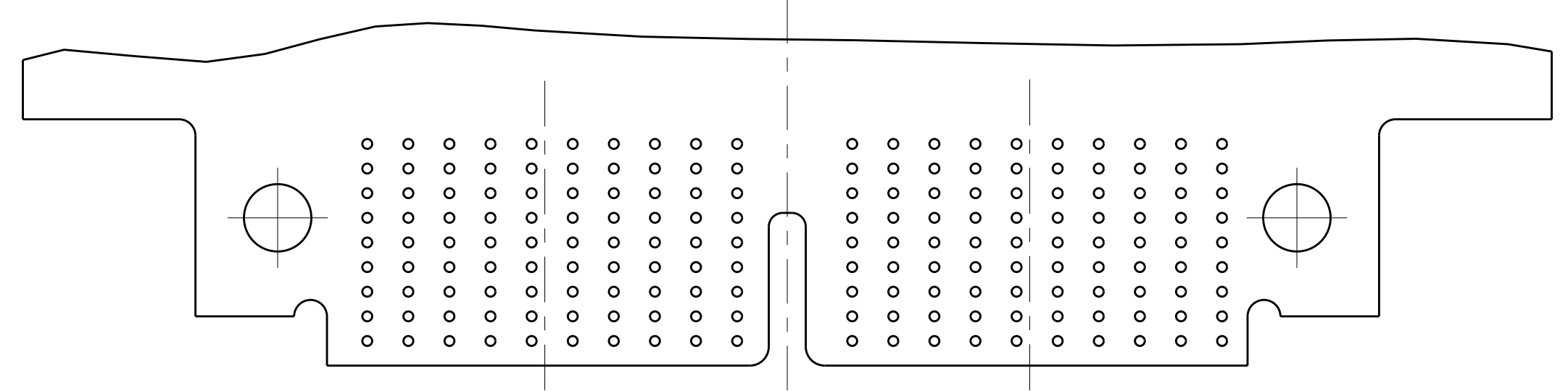
REV	DESCRIPTION	DATE	BY	CHK	APPV
2					
1					

REV	DESCRIPTION	DATE	BY	CHK	APPV
-----	-------------	------	----	-----	------

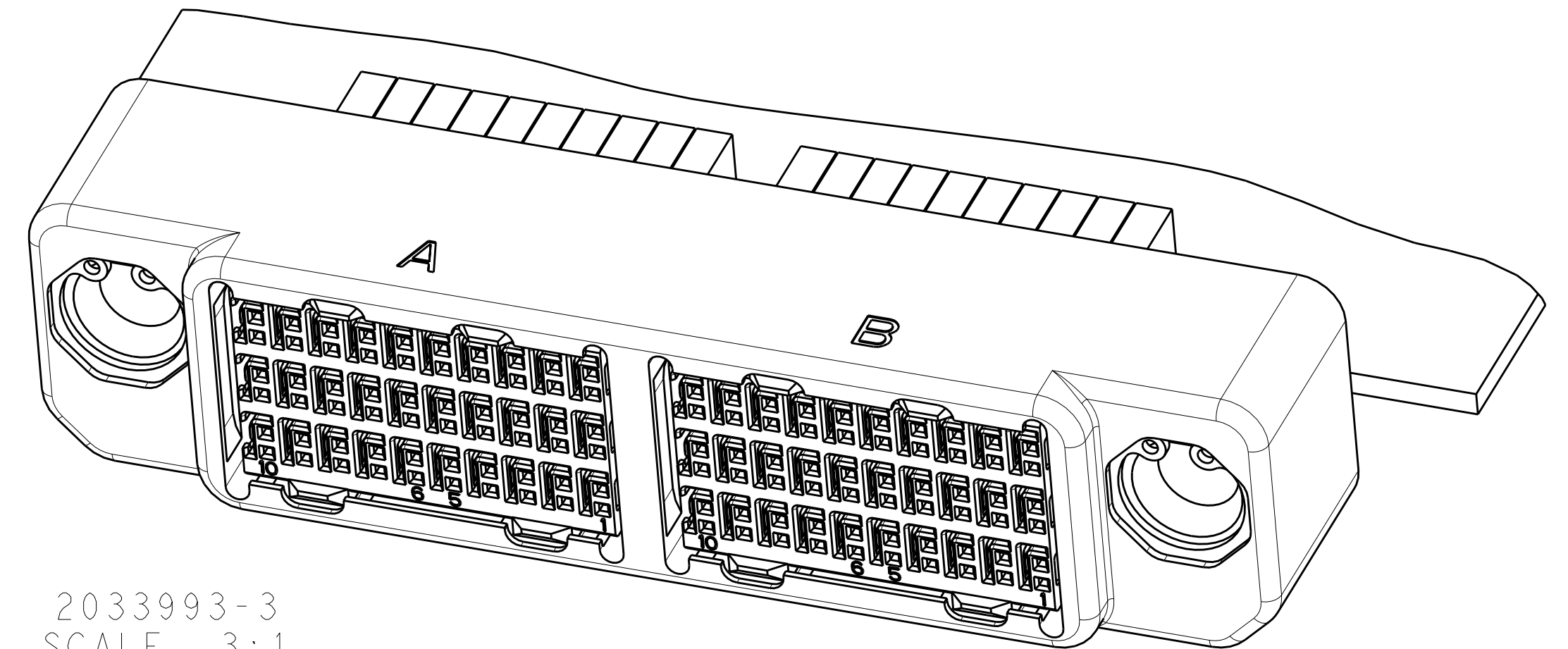
LOC		DIST		REVISIONS			
				DESCRIPTION	DATE	OWN	APVD
-	-	-	-	SEE SHEET 1	-	-	-



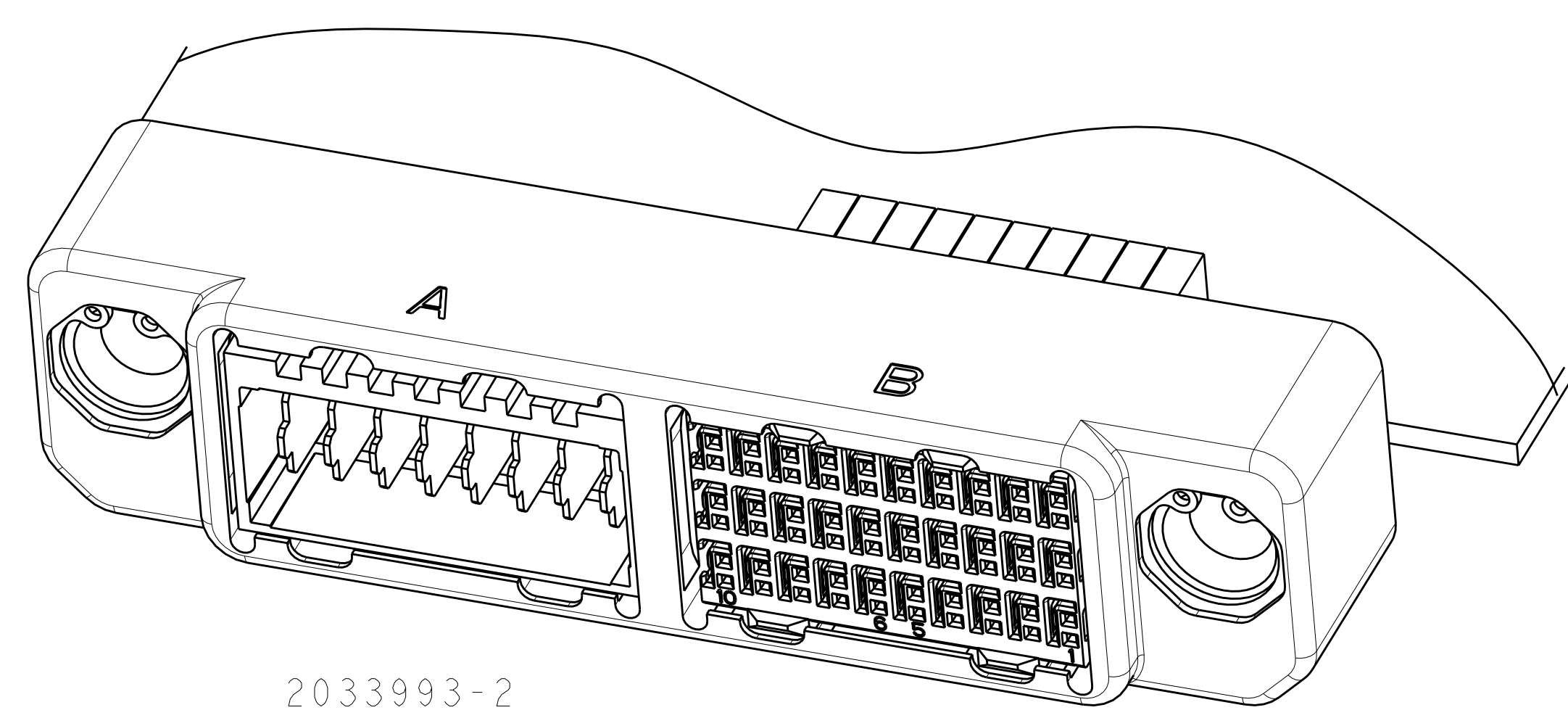
**RECOMMENDED PRINTED CIRCUIT BOARD LAYOUT
 AS VIEWED FROM TOP OF PRINTED CIRCUIT BOARD**



2033993-3 PCB
 SCALE 3:1



2033993-3
 SCALE 3:1



2033993-2
 SCALE 3:1

DIMENSIONS:		TOLERANCES UNLESS OTHERWISE SPECIFIED:		OWN: Brent D. Toth CHG: CHONG YI APVD: M. R. McALONIS		Tyco Electronics Harrisburg, PA 17105-3608	
mm	9 PLC ± 1 PLC ±0.13 5 PLC ±0.013 4 PLC ±	±	±	PRODUCT SPEC	108-2381	NAME	DAUGHTER CARD CONNECTOR HIGH SPEED RUGGEDIZED (HSR) 2 BAY, UNSEALED, RIGHT ANGLE
MATERIAL:	FINISH:	±#1	±	APPLICATION SPEC	-	SIZE	CAGE CODE DRAWING NO. RESTRICTED TO
-	-	-	-	WEIGHT:	-	A100779C=2033993	-
CUSTOMER DRAWING				SCALE	4:1	SHEET	2 OF 2 REV D

X-ON Electronics

Largest Supplier of Electrical and Electronic Components

Click to view similar products for [Hard Metric Connectors](#) category:

Click to view products by [TE Connectivity](#) manufacturer:

Other Similar products are found below :

[10146110-VR5C](#) [6345127-1](#) [646916-9](#) [6469658-1](#) [853016](#) [973108](#) [1-2000713-0](#) [1-2000713-2](#) [1-2000713-3](#) [120646-1](#) [134187](#) [1645343-1](#)
[1645456-1](#) [1645564-3](#) [1645594-1](#) [1645601-1](#) [1934822-1](#) [2000829-2](#) [2000985-2](#) [223085-1](#) [278071110010833](#) [1645179-1](#) [1645245-1](#)
[1645457-1](#) [1645525-1](#) [1645570-1](#) [1645596-1](#) [17-8072-125-000-863+](#) [1857470-1](#) [1934275-1](#) [1934289-1](#) [1934759-1](#) [2000670-2](#) [2000673-1](#)
[2000843-2](#) [2000984-2](#) [204975](#) [2170292-2](#) [2-536642-6](#) [3-100668-0](#) [3-106015-1](#) [352188-1](#) [352629-1](#) [3-646346-0](#) [3-646356-0](#) [3-646457-0](#) [3-646529-0](#) [3-646530-0](#) [5120823-1](#) [5120899-1](#)