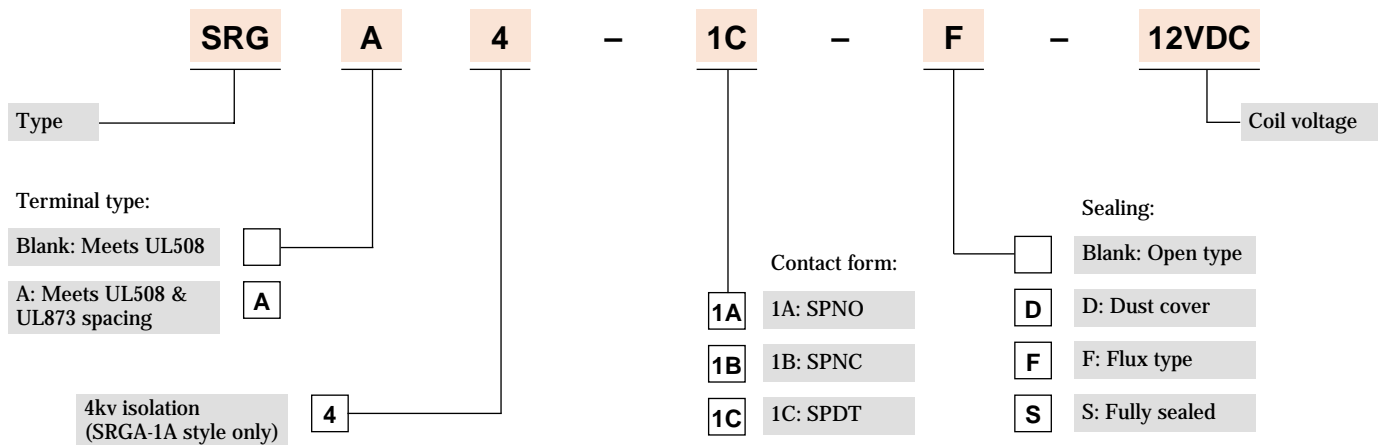


- Meets UL508 and UL873 spacing
- Up to 30A switching in SPNO and 20A switching in SPDT arrangement
- Open type, dust, flux and fully sealed version available
- UL, CSA and VDE recognised



Options and ordering codes



Contact rating

Contact form	1A (SPNO)	1B (SPNC)	1C (SPDT)	
			NO	NC
Maximum switching power	7500VA/600W	3750VA/300W	5000VA/600W	2500VA/300W
Maximum switching voltage	250VAC/30VDC			
Maximum switching/carry current	30A	15A	20A	10A

UL, CSA and VDE safety approval ratings available on request

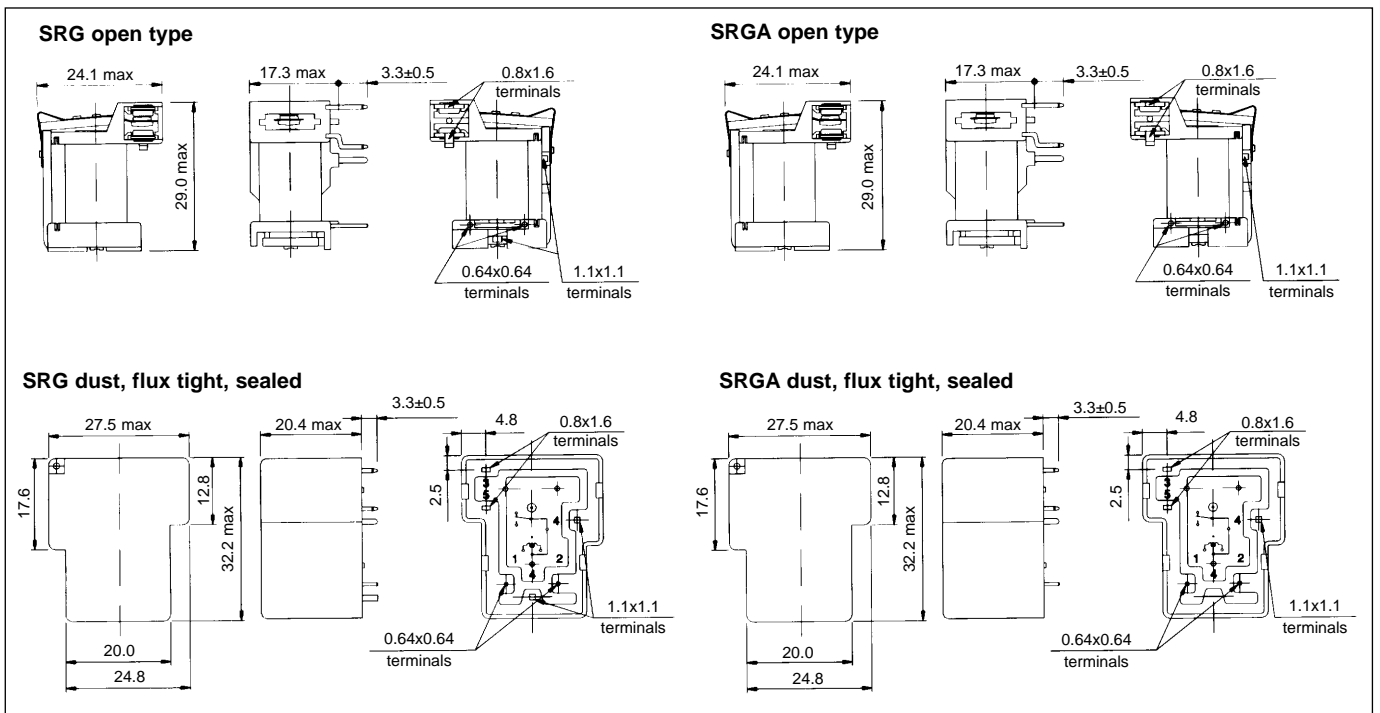
Specifications

Contact material	AgSnInO	
Initial contact resistance	50mΩ Max	
Operate time	15ms Max. (at rated voltage)	
Release time	10ms Max. (at rated voltage)	
Nominal operating power	Approx. 930mW	
Insulation resistance	100MΩ at 500VDC	
Breakdown voltage	Between coil and contacts	SRG-1500Vrms, SRGA-2500Vrms, SRGA4-4000Vrms
	Between open contacts	1500Vrms
Vibration resistance	Operating extremes	10-55Hz, amplitude 1.5mm
	Damage limits	10-55Hz, amplitude 1.5mm
Shock resistance	Operating extremes	10G
	Damage limits	20G
Ambient temperature	-55~+85°C	
Life expectancy	Mechanical	10 x 10 ⁸ operations (frequency 18,000 operations/hour)
	Electrical (at max load)	1 x 10 ⁷ operations (frequency 1,200 operations/hour)
Weight	27g	

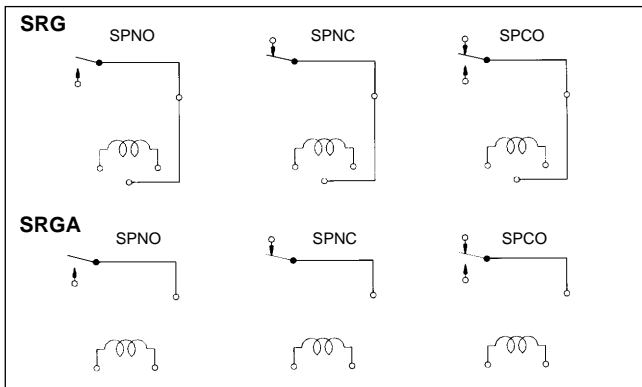
Coil specification

Rated voltage	Rated Current $\pm 10\%$ at 25°C (mA)	Coil Resistance $\pm 10\%$ at 25°C (Ω)	Max continuous voltage at 25°C	Pick up voltage (Max) at 25°C	Drop out voltage (Min) at 25°C	Power consumption at rated load
5	185	27	130% of rated voltage	75% of rated voltage	10% of rated voltage	Approx. 930mW
6	150	40				
9	93	97				
12	77	155				
24	36	660				
48	18	2560				

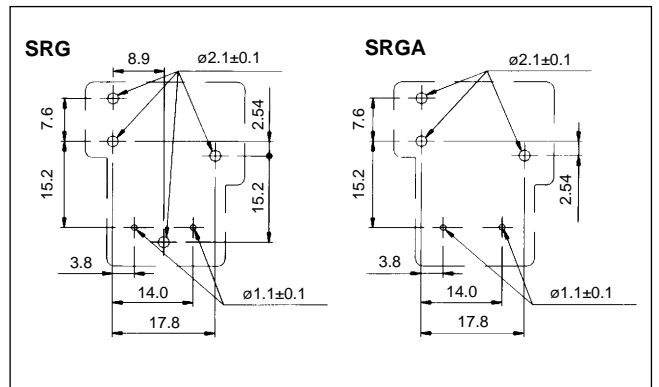
Outline dimensions (mm)



Wiring diagram



PCB layout



X-ON Electronics

Largest Supplier of Electrical and Electronic Components

Click to view similar products for [General Purpose Relays](#) category:

Click to view products by [IMO](#) manufacturer:

Other Similar products are found below :

[APF30318](#) [JVN1AF-4.5V-F](#) [PCN-105D3MHZ](#) [5JO-10000S-SIL](#) [5JO-1000CD-SIL](#) [5JO-400CD-SIL](#) [LY2S-AC220/240](#) [LYQ20DC12](#)
[6031007G](#) [6131406HQ](#) [6-1393099-3](#) [6-1393099-8](#) [6-1393122-4](#) [6-1393123-2](#) [6-1393767-1](#) [6-1393843-7](#) [6-1415012-1](#) [6-1419102-2](#) [6-](#)
[1423698-4](#) [6-1608051-6](#) [6-1608067-0](#) [6-1616170-6](#) [6-1616248-2](#) [6-1616282-3](#) [6-1616348-2](#) [6-1616350-1](#) [6-1616350-8](#) [6-1616358-7](#) [6-](#)
[1616359-9](#) [6-1616360-9](#) [6-1616931-6](#) [6-1617039-1](#) [6-1617052-1](#) [6-1617090-2](#) [6-1617090-5](#) [6-1617347-5](#) [6-1617353-3](#) [6-1617801-8](#) [6-](#)
[1617802-2](#) [6-1618107-9](#) [6-1618248-4](#) [M83536/1-027M](#) [CX-4014](#) [MAHC-5494](#) [MAVCD-5419-6](#) [703XCX-120A](#) [7-1393100-5](#) [7-1393111-7](#)
[7-1393144-5](#) [7-1393767-8](#)