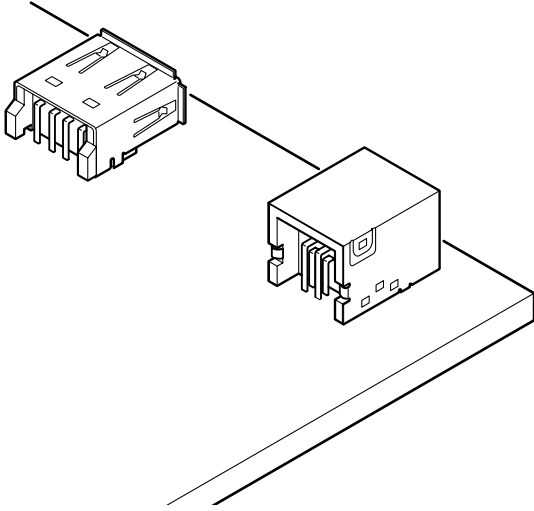




UB CONNECTOR

USB (Universal Serial Bus) Conforming Connector



- **Conforms to USB (Universal Serial Bus) 2.0 standards**
- **Secure EMI shielding effect**
- **SMT configuration**

Specifications

- Current rating: 1.0A AC, DC/ line
- Voltage rating: 30V AC, DC
- Temperature range: -55°C to +85°C
(including temperature rise in applying electrical current)
- Contact resistance: Initial value/30m Ω max.
After environmental testing/10m Ω max.
(variation from initial value)
- Insulation resistance: 1,000M Ω min.
- Withstanding voltage: 750V AC/minute
- * Compliant with RoHS.
- * Refer to "General Instruction and Notice when using Terminals and Connectors" at the end of this catalog.
- * Contact JST for details.

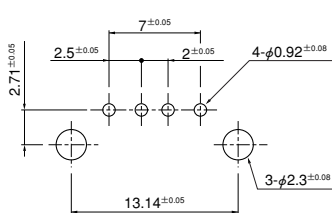
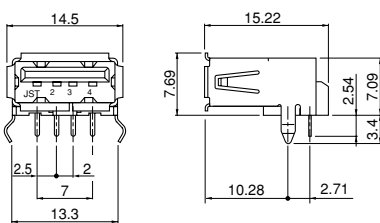
Standards

- Ⓜ Recognized E60389
- Ⓢ Certified LR20812

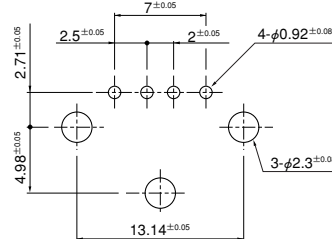
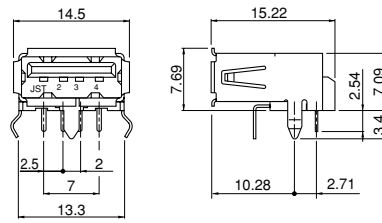
Receptacle

USB 2.0 certified product

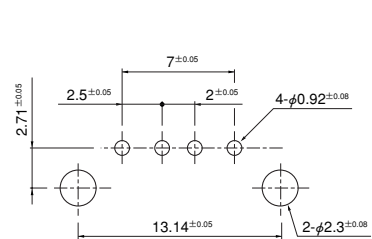
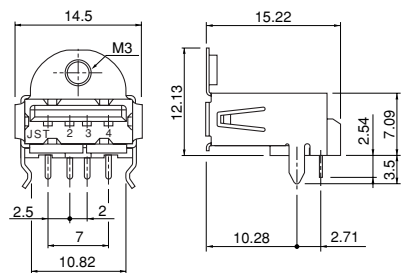
Type A <Through-hole type> Normal



Type A <Through-hole type> With solder tab



Type A <Through-hole type> With upper flange



Model No.	Material and Finish	Qty / box
UBA-4R-D14-4D	Contact	Copper alloy, nickel-undercoated, selective gold-plated
	Housing	Thermoplastic resin, UL94V-0
	Shell	Copper alloy, nickel-undercoated, tin-plated

RoHS compliance This product displays (LF)(SN) on a label.

Model No.	Material and Finish	Qty / box
UBA-4R-D14T-4D	Contact	Copper alloy, nickel-undercoated, selective gold-plated
	Housing	Thermoplastic resin, UL94V-0
	Shell	Copper alloy, nickel-undercoated, tin-plated
	Solder tab	Copper alloy, copper-undercoated, tin-plated (reflow treatment)

RoHS compliance This product displays (LF)(SN) on a label.

Model No.	Material and Finish	Qty / box
UBA-4R-D14C-4D	Contact	Copper alloy, nickel-undercoated, selective gold-plated
	Housing	Thermoplastic resin, UL94V-0
	Shell	Copper alloy, nickel-undercoated, tin-plated

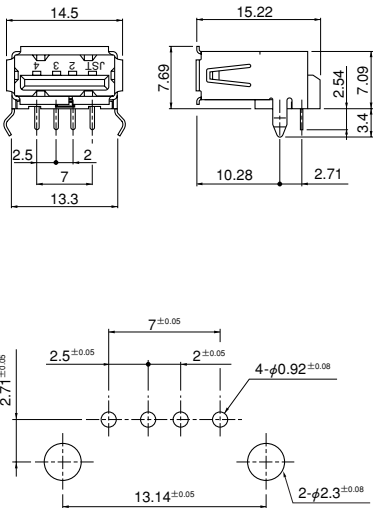
RoHS compliance This product displays (LF)(SN) on a label.

Note: The dimensions above should serve as a guideline. Contact JST for details.

Receptacle

USB 2.0 certified product

Type A <Through-hole type> Reverse

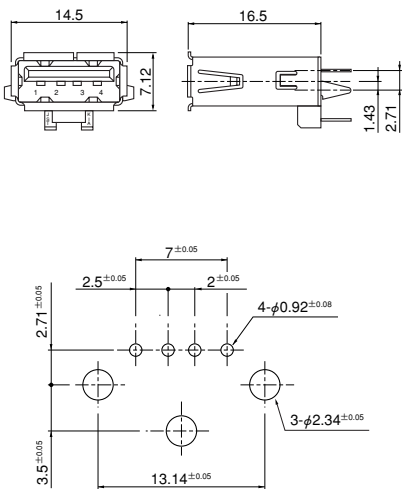


Model No.	Material and Finish	Qty / box
UBA-R4R-D14-4D	Contact	Copper alloy, nickel-undercoated, selective gold-plated
	Housing	Thermoplastic resin, UL94V-0
	Shell	Copper alloy, nickel-undercoated, tin-plated
		250

RoHS compliance This product displays (LF)(SN) on a label.

Note: The dimensions above should serve as a guideline. Contact JST for details.

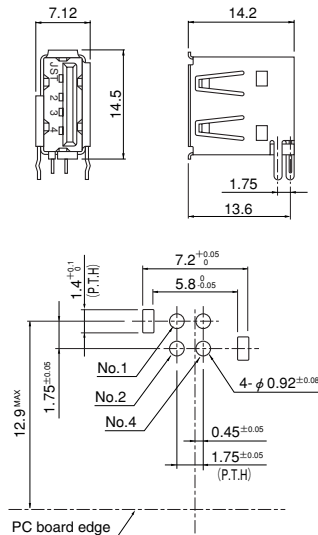
Type A <Through-hole type> Straight, normal



Model No.	Material and Finish	Qty / box
UBAS-4R-D14-4D	Contact	Copper alloy, nickel-undercoated, selective gold-plated
	Housing	Thermoplastic resin, UL94V-0
	Shell	Copper alloy, nickel-undercoated, tin-plated
		250

RoHS compliance This product displays (LF)(SN) on a label.

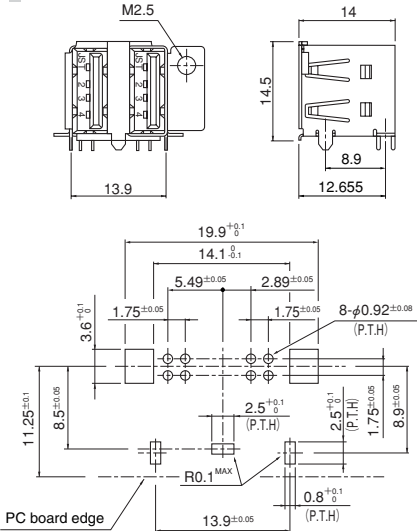
Type A <Through-hole type> Vertical, normal



Model No.	Material and Finish	Qty / box
UBAL-4R-D14-4S	Contact	Copper alloy, nickel-undercoated, selective gold-plated
	Housing	Thermoplastic resin, UL94V-0
	Shell	Copper alloy, nickel-undercoated, tin-plated
		350

RoHS compliance This product displays (LF)(SN) on a label.

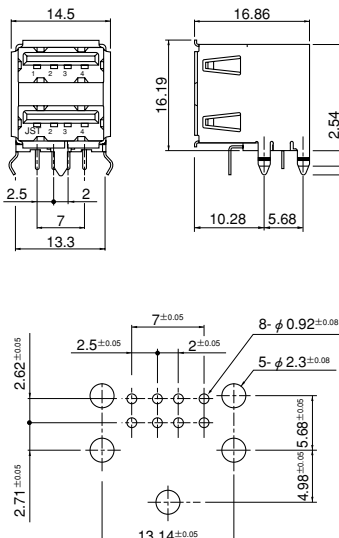
Type A <SMT/Through-hole type> Vertical, dual-row



Model No.	Material and Finish	Qty / box
UBAL-4RS-D14K-4S	Contact	Copper alloy, nickel-undercoated, selective gold-plated
	Housing	Thermoplastic resin, UL94V-0
	Shell A	Copper alloy, nickel-undercoated, tin-plated
	Shell B	Copper alloy, nickel-undercoated, tin-plated

RoHS compliance This product displays (LF)(SN) on a label.

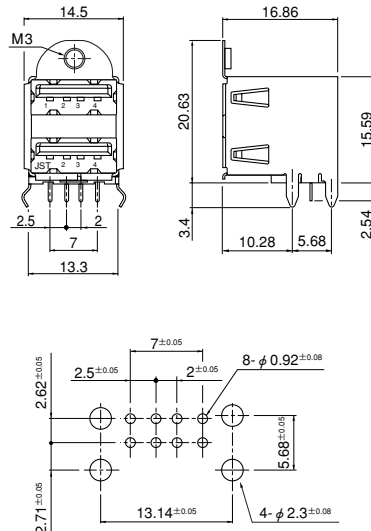
Type A <Through-hole type> Double-stack



Model No.	Material and Finish	Qty / box
UBA-4RS-D14T-4D	Contact	Copper alloy, nickel-undercoated, selective gold-plated
	Housing	Thermoplastic resin, UL94V-0
	Locator	Thermoplastic resin, UL94V-0
	Shell A	Copper alloy, nickel-undercoated, tin-plated
	Shell B	Copper alloy, nickel-undercoated, tin-plated
	Solder tab	Copper alloy, copper-undercoated, tin-plated (reflow treatment)
		210

RoHS compliance This product displays (LF)(SN) on a label.

Type A <Through-hole type> Double-stack with upper flange



Model No.	Material and Finish	Qty / box
UBA-4RS-D14C-4D	Contact	Copper alloy, nickel-undercoated, selective gold-plated
	Housing	Thermoplastic resin, UL94V-0
	Locator	Thermoplastic resin, UL94V-0
	Shell A	Copper alloy, nickel-undercoated, tin-plated
	Shell B	Copper alloy, nickel-undercoated, tin-plated
		210

RoHS compliance This product displays (LF)(SN) on a label.

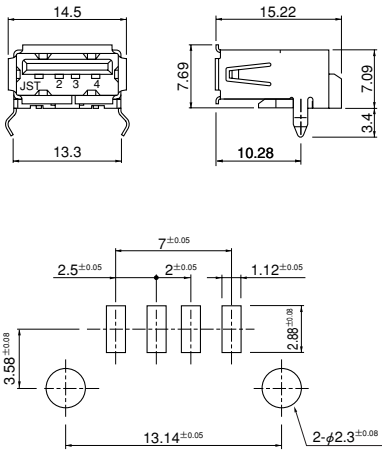
Note: The dimensions above should serve as a guideline. Contact JST for details.

UB CONNECTOR

Receptacle

USB 2.0 certified product

Type A <SMT type> Without flange

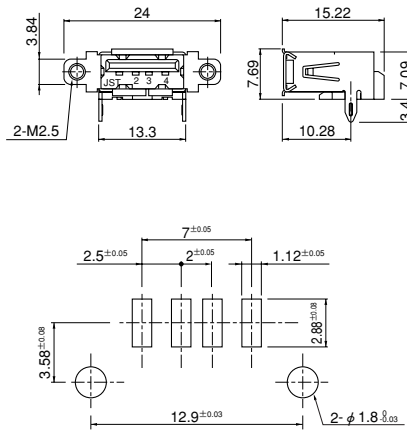


Model No.	Material and Finish	Qty / box
UBA-4R-S14-4S	Contact	Copper alloy, nickel-undercoated, selective gold-plated
	Housing	Thermoplastic resin, UL94V-0
	Shell	Copper alloy, nickel-undercoated, tin-plated
		250

RoHS compliance This product displays (LF)(SN) on a label.

Note: The dimensions above should serve as a guideline. Contact JST for details.

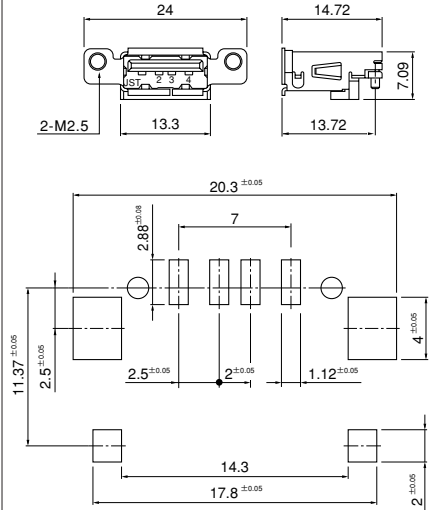
Type A <SMT type> With side flange



Model No.	Material and Finish	Qty / box
UBA-4R-S14A-4S	Contact	Copper alloy, nickel-undercoated, selective gold-plated
	Housing	Thermoplastic resin, UL94V-0
	Shell	Copper alloy, nickel-undercoated, tin-plated
		192

RoHS compliance This product displays (LF)(SN) on a label.

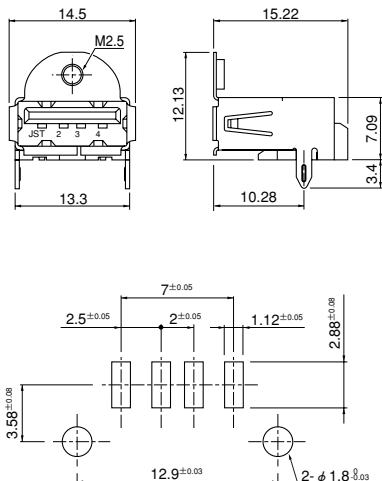
Type A <SMT type, off-set 3mm> With side flange



Model No.	Material and Finish	Qty / box
UBA-4R-S14B-4S	Contact	Copper alloy, nickel-undercoated, selective gold-plated
	Housing	Thermoplastic resin, UL94V-0
	Shell	Copper alloy, nickel-undercoated, tin-plated
		378

RoHS compliance This product displays (LF)(SN) on a label.

Type A <SMT type> With upper flange

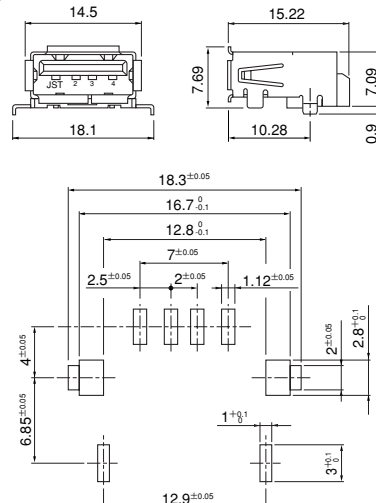


Model No.	Material and Finish	Qty / box
UBA-4R-S14C-4S	Contact	Copper alloy, nickel-undercoated, selective gold-plated
	Housing	Thermoplastic resin, UL94V-0
	Shell	Copper alloy, nickel-undercoated, tin-plated
		216

RoHS compliance This product displays (LF)(SN) on a label.

Note: The dimensions above should serve as a guideline. Contact JST for details.

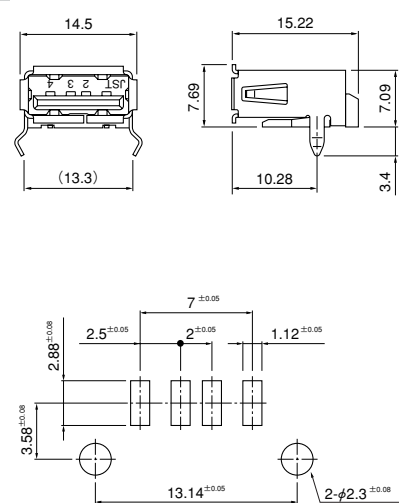
Type A <SMT type> FULL SMT



Model No.	Material and Finish	Qty / box
UBA-4R-S14HD-4S	Contact	Copper alloy, nickel-undercoated, selective gold-plated
	Housing	Thermoplastic resin, UL94V-0
	Shell	Copper alloy, nickel-undercoated, tin-plated
		192

RoHS compliance This product displays (LF)(SN) on a label.

Type A <SMT type> Reverse

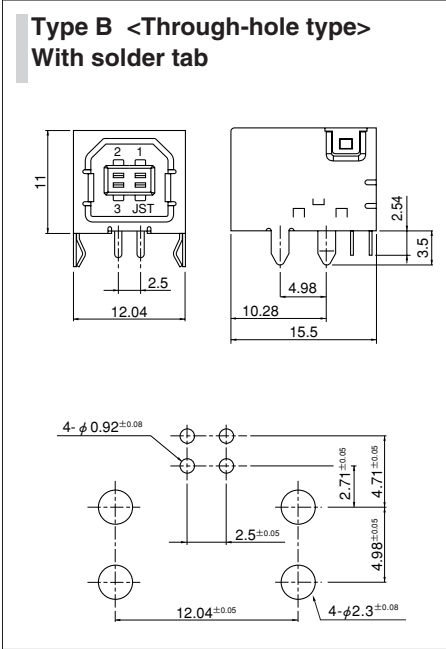


Model No.	Material and Finish	Qty / box
UBA-R4R-S14-4S	Contact	Copper alloy, nickel-undercoated, selective gold-plated
	Housing	Thermoplastic resin, UL94V-0
	Shell	Copper alloy, nickel-undercoated, tin-plated
		250

RoHS compliance This product displays (LF)(SN) on a label.

Receptacle

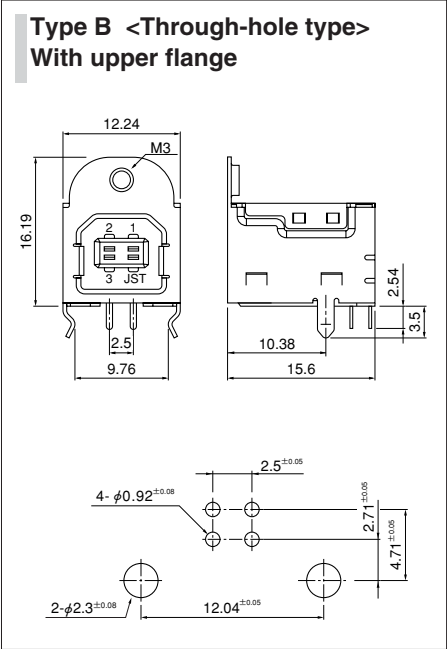
USB 2.0 certified product



Model No.	Material and Finish	Qty / box
UBB-4R-D14T-4D	Contact	Copper alloy, nickel-undercoated, selective gold-plated
	Housing	Thermoplastic resin, UL94V-0
	Shell	Copper alloy, nickel-undercoated, tin-plated

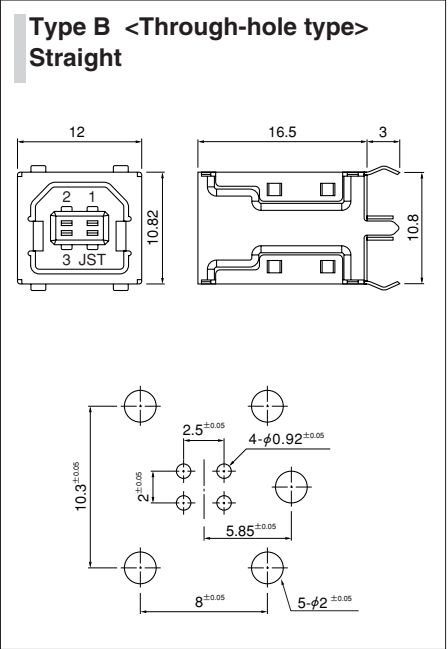
RoHS compliance This product displays (LF)(SN) on a label.

Note: The dimensions above should serve as a guideline. Contact JST for details.



Model No.	Material and Finish	Qty / box
UBB-4R-D14C-4D	Contact	Copper alloy, nickel-undercoated, selective gold-plated
	Housing	Thermoplastic resin, UL94V-0
	Shell	Copper alloy, nickel-undercoated, tin-plated

RoHS compliance This product displays (LF)(SN) on a label.

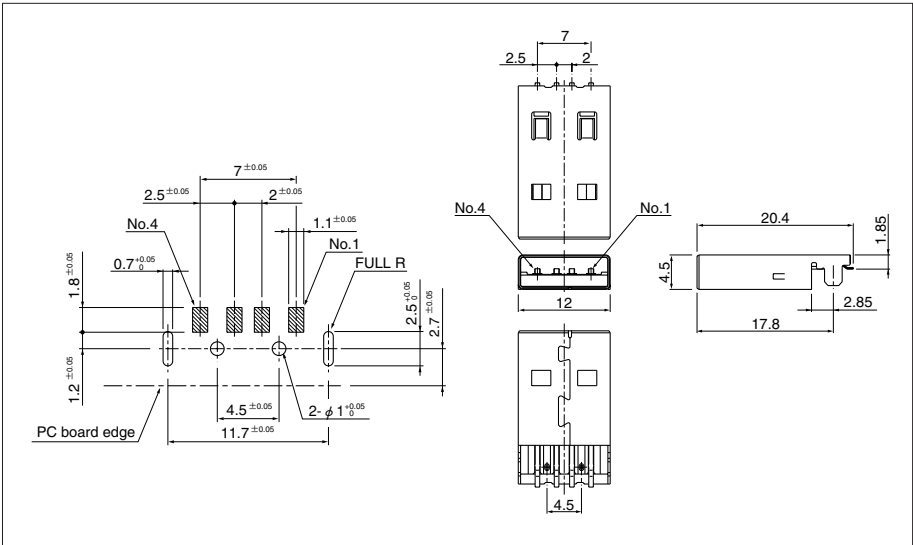


Model No.	Material and Finish	Qty / box
UBBS-4R-D14-4D	Contact	Copper alloy, nickel-undercoated, selective gold-plated
	Housing	Thermoplastic resin, UL94V-0
	Shell	Copper alloy, nickel-undercoated, tin-plated

RoHS compliance This product displays (LF)(SN) on a label.

Plug type A SMT type

USB 2.0 certified product



Model No.	Material and Finish	Qty / box
UBA-4P-S14E	Contact	Copper alloy, nickel-undercoated, selective gold-plated
	Housing	Heat resisting resin, UL94V-0
	Shell	Copper alloy, nickel-undercoated, palladium-plated

RoHS compliance This product displays (LF)(SN) on a label.

Note: 1. Not UL/CSA approved.
2. The dimensions left should serve as a guideline.
Contact JST for details.

X-ON Electronics

Largest Supplier of Electrical and Electronic Components

Click to view similar products for [USB Cables](#) / [IEEE 1394 Cables](#) category:

Click to view products by [JST manufacturer](#):

Other Similar products are found below :

[68768-0173](#) [FNY-W6003-01](#) [88764-0800](#) [13805532](#) [148700-1](#) [17-200621](#) [17-250051P](#) [954](#) [AC102012-2](#) [IP-USB1\(C10\)S-RW](#)
[CABLE/RTP/USB/DT](#) [0847290003](#) [10115240-12200LF](#) [RS232-GTD](#) [USBFTVX2SA2N03A](#) [USBFTV2SA2N03A](#) [1689404-1](#) [FTP-](#)
[629Y401](#) [FTP-628Y402](#) [943301-001](#) [FNY-W6022](#) [FNY-W6003-03](#) [1310-1015-05](#) [1310-1018-04](#) [1310-1019-04](#) [0887283402](#) [UA-](#)
[30AMFM-SL7B02](#) [UA-30AMFM-SL7B01](#) [UA-30AFM-LD7B03](#) [UA-30AMFM-SL7B03](#) [USBAPSCC7202A](#) [UES-1001A160](#) [UES-](#)
[1003A160](#) [USBFTVX7SA2N20A](#) [USBFTVX2SA2N20A](#) [USBFTV2PEMSA2N10A](#) [FTP-629Y602](#) [USBCAMCM100](#) [USB A/F*2 to 2.54](#)
[2*5P-SH L=400mm](#) [EP-CBUSB10P2FLT](#) [1310-1033-01](#) [1310-1037-04](#) [ASR-USB](#) [68784-0075](#) [17-241361](#) [17-230471](#) [217B-BC02](#) [USB-29](#)
[19800-010500-200-RS](#) [USB+MINI DIN 6P WITH BKT](#)