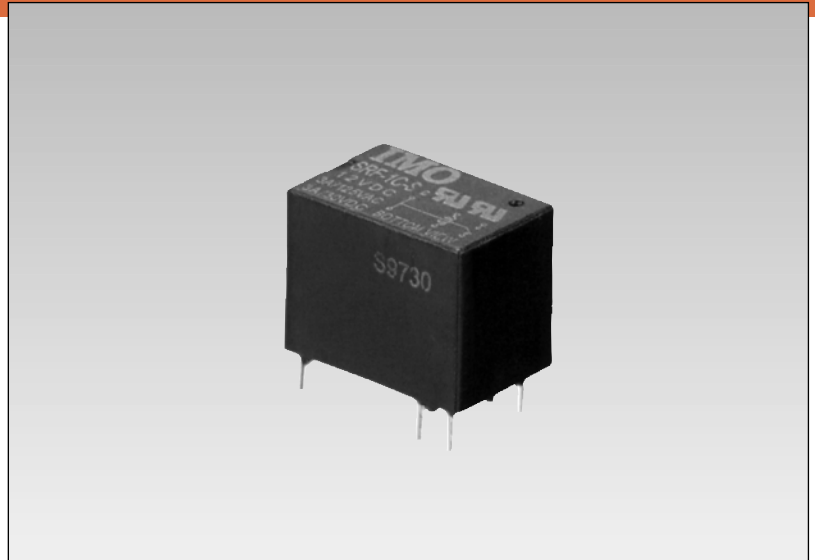
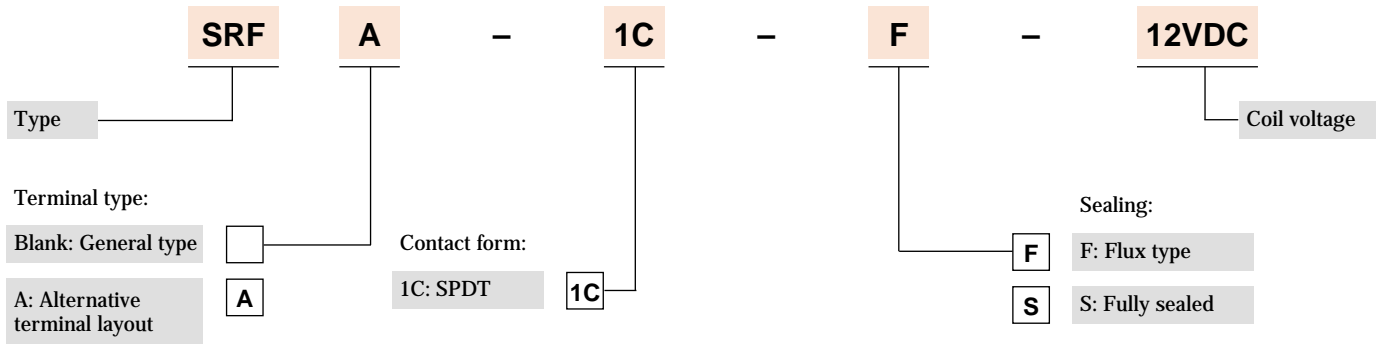


- 1 Form C (SPDT)
- Flux and fully sealed versions available
- High sensitivity coil - 200mW
- CUR recognised



## Options and ordering codes



## Contact rating

<b>Contact form</b>	1C (SPDT)
<b>Maximum switching power</b>	240VA (360VA)* / 56W (84W)*
<b>Maximum switching voltage</b>	120VAC / 60VDC
<b>Maximum switching current</b>	2A (3A)*
<b>Maximum carrying current</b>	3A

\*Ratings for 30k ops

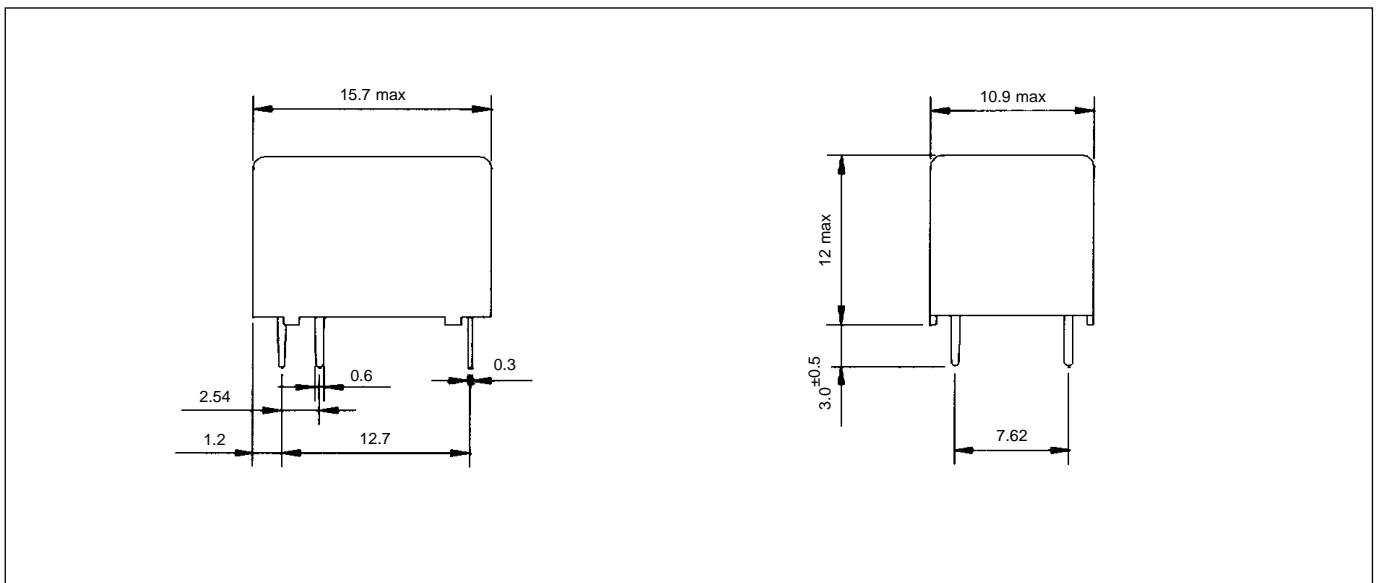
## Specifications

<b>Contact material</b>	Ag + gold flash	
<b>Initial contact resistance</b>	100mΩ Max	
<b>Operate time</b>	10ms Max. (at rated voltage)	
<b>Release time</b>	5ms Max. (at rated voltage)	
<b>Nominal operating power</b>	Approx. 200mW	
<b>Insulation resistance</b>	100MΩ at 500VDC	
<b>Breakdown voltage</b>	<b>Between coil and contacts</b>	500VAC (for 1 minute)
	<b>Between open contacts</b>	500VAC (for 1 minute)
<b>Vibration resistance</b>	<b>Operating extremes</b>	10~50Hz, amplitude 1.5mm
	<b>Damage limits</b>	10~50Hz, amplitude 1.5mm
<b>Shock resistance</b>	<b>Operating extremes</b>	10G
	<b>Damage limits</b>	100G
<b>Ambient temperature</b>	-25~+55°C and 35%~85% RH Max	
<b>Life expectancy</b>	<b>Mechanical</b>	10 x 10 <sup>8</sup> operations (frequency 18,000 operations/hour)
	<b>Electrical (at max load)</b>	1 x 10 <sup>5</sup> operations (frequency 1,800 operations/hour)
<b>Weight</b>	4g	

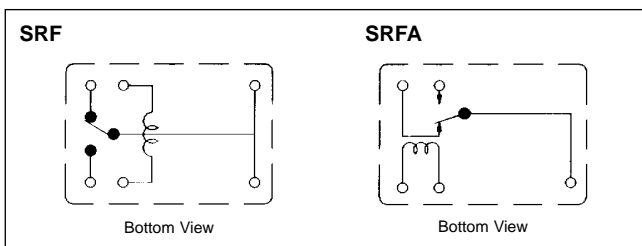
## Coil specification

Rated voltage	Rated Current $\pm$ 10% at 25°C (mA)	Coil Resistance $\pm$ 10% at 25°C ( $\Omega$ )	Max continuous voltage at 25°C	Pick up voltage (Max) at 25°C	Drop out voltage (Min) at 25°C	Power consumption at rated load
3	66.7	45	130% of rated voltage	75% of rated voltage	10% of rated voltage	Approx. 200mW
5	44.7	120				
6	33.3	180				
9	22.5	400				
12	17.1	700				
24	8.6	2800				

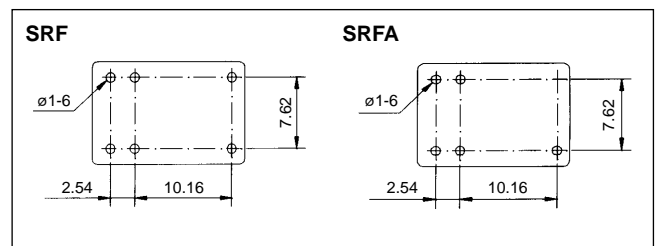
## Dimensions mm



## Wiring diagram



## PCB layout



## X-ON Electronics

Largest Supplier of Electrical and Electronic Components

*Click to view similar products for [General Purpose Relays](#) category:*

*Click to view products by [IMO](#) manufacturer:*

Other Similar products are found below :

[APF30318](#) [JVN1AF-4.5V-F](#) [PCN-105D3MHZ](#) [5JO-10000S-SIL](#) [5JO-1000CD-SIL](#) [5JO-400CD-SIL](#) [LY2S-AC220/240](#) [LYQ20DC12](#)  
[6031007G](#) [6131406HQ](#) [6-1393099-3](#) [6-1393099-8](#) [6-1393122-4](#) [6-1393123-2](#) [6-1393767-1](#) [6-1393843-7](#) [6-1415012-1](#) [6-1419102-2](#) [6-](#)  
[1423698-4](#) [6-1608051-6](#) [6-1608067-0](#) [6-1616170-6](#) [6-1616248-2](#) [6-1616282-3](#) [6-1616348-2](#) [6-1616350-1](#) [6-1616350-8](#) [6-1616358-7](#) [6-](#)  
[1616359-9](#) [6-1616360-9](#) [6-1616931-6](#) [6-1617039-1](#) [6-1617052-1](#) [6-1617090-2](#) [6-1617090-5](#) [6-1617347-5](#) [6-1617353-3](#) [6-1617801-8](#) [6-](#)  
[1617802-2](#) [6-1618107-9](#) [6-1618248-4](#) [M83536/1-027M](#) [CX-4014](#) [MAHC-5494](#) [MAVCD-5419-6](#) [703XCX-120A](#) [7-1393100-5](#) [7-1393111-7](#)  
[7-1393144-5](#) [7-1393767-8](#)