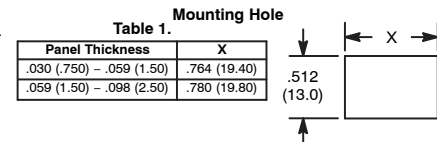
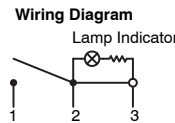
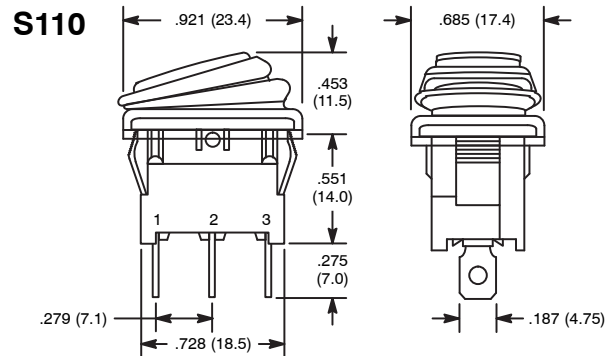


Waterproof Miniature Illuminated Rocker



Features

- **Waterproof:** IP65
- **Single Pole**
- **.187" Quick Connect Terminals**



Specifications

Current Rating: 16A 125VAC 1/3 HP, 10A 250VAC 1/2 HP
Lamp Voltage: 110V Neon (AC) & 12V LED (DC)
Insulation Resistance: 100 Megohms (min.) at 500VDC
Dielectric Strength: 1000V RMS (min.)
Temperature Rating: +32° to +185°F (0° to +85°C)
Electrical Life: 10,000 cycles
Mechanical Life: 50,000 cycles at full load
Terminal Type: .187" Tab Q.C.
Mounting Hole: See Table 1

NTE Type No.	Circuitry	Action			Actuator				Diag No.
					Material	Color		Vltg	
						Neon	LED		
NEW 54-200W	SPST	ON	NONE	OFF	PC	Red	-	AC	S110
NEW 54-201W	SPST	ON	NONE	OFF	PC	-	Red	DC	S110
NEW 54-202W*	SPDT	ON	NONE	ON	PC	Black		N/A	S110
NEW 54-203W	SPST	ON	NONE	OFF	PC	Green	-	AC	S110
NEW 54-204W	SPST	ON	NONE	OFF	PC	-	Green	DC	S110

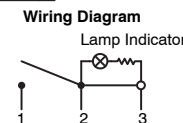
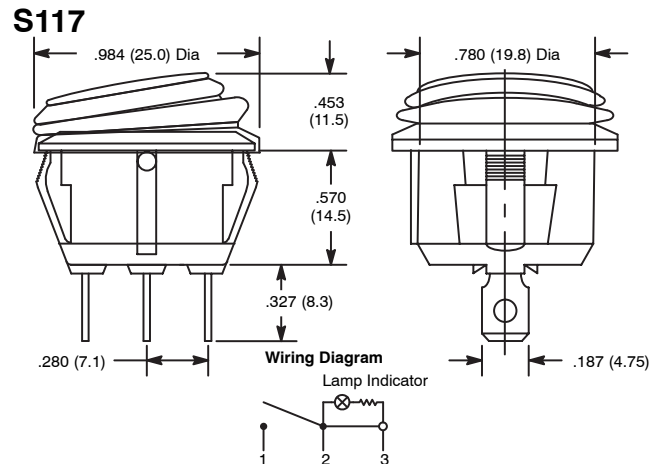
* Designates Non-Illuminated Type

Waterproof Round Illuminated Rocker



Features

- **Waterproof:** IP65
- **Single Pole**
- **.187" Quick Connect Terminals**



Specifications

Current Rating: 16A 125VAC, 10A 250VAC
Lamp Voltage: 110V Neon (AC) & 12V LED (DC)
Insulation Resistance: 100 Megohms (min.) at 500VDC
Dielectric Strength: 1500V RMS (min.)
Temperature Rating: +32° to +185°F (0° to +85°C)
Electrical Life: 10,000 cycles
Mechanical Life: 50,000 cycles at full load
Terminal Type: .187" Tab Q.C.
Mounting Hole: .795 (20.2)

NTE Type No.	Circuitry	Action			Actuator				Diag No.
					Material	Color		Vltg	
						Neon	LED		
NEW 54-503W*	SPST	ON	NONE	OFF	Nylon	Black		N/A	S117
NEW 54-526W	SPST	ON	NONE	OFF	Nylon	Green	-	AC	S117
NEW 54-527W	SPST	ON	NONE	OFF	Nylon	-	Red	DC	S117
NEW 54-529W	SPST	ON	NONE	OFF	Nylon	-	Green	DC	S117
NEW 54-531W	SPST	ON	NONE	OFF	Nylon	Red	-	AC	S117

* Designates Non-Illuminated Type

X-ON Electronics

Largest Supplier of Electrical and Electronic Components

Click to view similar products for [Rocker Switches](#) category:

Click to view products by [NTE manufacturer](#):

Other Similar products are found below :

[VKD2GHNB-00000-000](#) [VSD2GNNB-00000-000](#) [6-1571986-5](#) [6-1571986-9](#) [632422-4B-KD](#) [7036WWCDBX653+U622](#) [8055K52Z7V](#)
[8138K20E6M50](#) [FMC18A2200002](#) [84206L](#) [84312LX](#) [PREDD4-07F-BB0FW](#) [PREDD5-07F-BB0GW](#) [PRFDD1-16F-BB000](#) [PRFDD3-16F-](#)
[BB000](#) [1-1634201-0](#) [999-16702-001](#) [A101J2ZQ004](#) [A101J4ZQ004](#) [A101J51CB0004](#) [A107J51ZQ0004](#) [A201J1AQ004](#) [A201J1AV2Q004](#)
[A201J3ZB004](#) [A201J50ZQ004](#) [A203J51ZQ0004](#) [A226L11YZQ](#) [A22L11A](#) [A435S1YZQ](#) [H8500XBBBBL-A](#) [H8653VBBG2577W](#)
[HB130CHNWWNAAC](#) [1251.0303](#) [AE205J60V3B004](#) [RH110C2NBB](#) [1352.0107](#) [1363.0201](#) [AML25GBF2AA03GR](#) [1571099-3](#) [1571987-4](#)
[1571987-5](#) [1571989-7](#) [B123J77V7B2](#) [B226J50W4Q22P](#) [B433J37ZQ22M](#) [160212E](#) [1801.1164](#) [1831.1102](#) [1833.3402](#) [1837.1118](#)