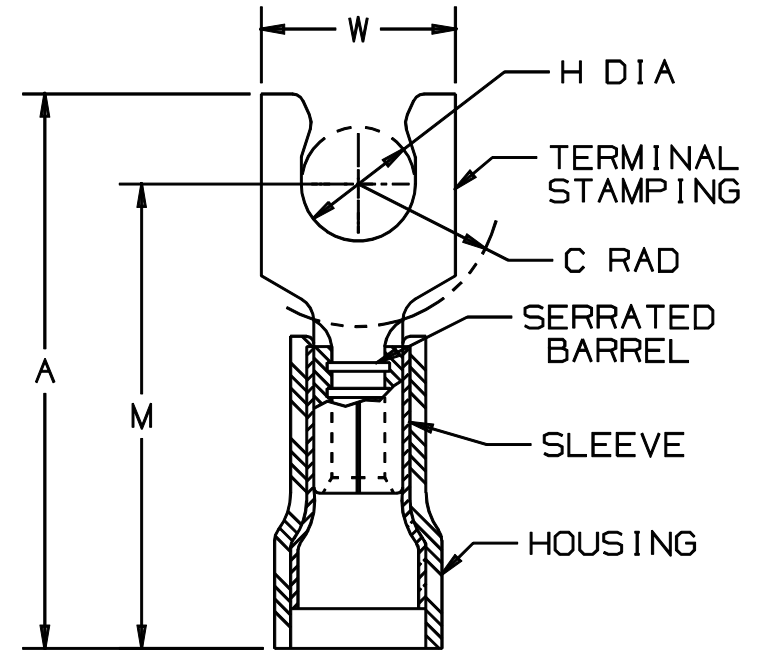


THIS COPY IS PROVIDED ON A RESTRICTED BASIS AND IS NOT TO BE USED IN ANY WAY DETRIMENTAL TO THE INTERESTS OF PANDUIT CORP.

PART NUMBER		STUD SIZE	DIMENSIONS in.				
PREFIX	PK		A $\begin{smallmatrix} \pm .03 \\ \text{1.81} \end{smallmatrix}$	W $\begin{smallmatrix} \pm .01 \\ \text{1.3} \end{smallmatrix}$	C $\begin{smallmatrix} \pm .02 \\ \text{1.51} \end{smallmatrix}$	M $\begin{smallmatrix} \pm .03 \\ \text{1.81} \end{smallmatrix}$	H $\begin{smallmatrix} \pm .01 \\ \text{1.3} \end{smallmatrix}$
PN18-5SLF	-C -M	#5	.75 (19.0)	.26 (6.6)	.19 (4.7)	.63 (16.1)	.124 (3.15)
PN18-6SLF	-C -M	#6	.75 (19.0)	.27 (6.9)	.19 (4.7)	.63 (16.1)	.136 (3.45)
PN18-8SLF	-C -M	#8	.80 (20.4)	.29 (7.4)	.23 (5.8)	.68 (17.2)	.162 (4.11)
PN18-10SLF	-C -M	#10	.81 (20.7)	.33 (8.3)	.23 (5.8)	.68 (17.2)	.188 (4.78)

NOTES:

- USED FOR:
  - A. 600V MAX VOLTAGE RATING
  - B. 221°F (105°C) MAX TEMP RATING
  - C. 22-18 AWG STRANDED COPPER WIRE ONLY.
- INSTALLATION TOOLS:
  - A. UL LISTED AND CSA CERTIFIED FOR: CT-510
  - B. PANDUIT APPROVED: CT-400, CT-500, CT-1550, CT-1551
- WIRE STRIP LENGTH:  $7/32^{+1/32}_{-0}$  (5.6<sup>+8</sup><sub>-0</sub>)
- MAX WIRE INSULATION DIA: .145 (3.68)  
MIN. WIRE INSULATION DIA: .080 (2.03)
- MATERIAL:
  - A. STAMPING: .03 (.8) TIN PLATED COPPER
  - B. HOUSING : RED NYLON
  - C. SLEEVE : TIN PLATED BRASS
- PACKAGING:
  - C = 100, -M = 1000
- DIMENSIONS IN BRACKETS ARE IN MILLIMETERS OR mm<sup>2</sup>




LISTED  
587H  
E52164



CERTIFIED  
LR31212

A41594\_02

02	1/01	RM		FILESPEC WAS N41594AA_PCD_01				 CORP. TINLEY PARK, ILLINOIS #22-18 BARREL NYLON INSULATED SHORT LOCKING FORK, .145 (3.68) MAX WIRE INSUL. DIA.
01	12/96	JAMB		ADDED NOTE, "MIN. WIRE INSUL. DIA."	05377			
00	5/96	TH	RLS	RELEASED	04465	LA	DBH	
REV	DATE	BY	CHK	DESCRIPTION	ECN #	CUST	PM	DRAWN BY: TVH CK'D: LA SCALE: NONE DRAWING NO.: A41594

## X-ON Electronics

Largest Supplier of Electrical and Electronic Components

*Click to view similar products for [Terminals](#) category:*

*Click to view products by [Panduit](#) manufacturer:*

Other Similar products are found below :

[HT-13-10](#) [71M-250-32-NB](#) [01-2065-1-0216](#) [00581P0075](#) [M10-10RX](#) [M10BCK](#) [60205-1](#) [604200-1](#) [60598-1-CUT-TAPE](#) [60617-1-C](#) [60873-1](#) [M14-516R/SK](#) [M14-6RSX](#) [M18-10FLX](#) [M18-8FBX](#) [M18-8R/LX](#) [M18BCK](#) [61314-6-C](#) [61-S](#) [61-SN-A](#) [62-NBM-A](#) [63-S](#) [640179-1](#) [640917-2-CUT-TAPE](#) [6501550002](#) [66107-2-C](#) [66107-4-C](#) [696683-1](#) [696834-1](#) [696861-1](#) [696931-1](#) [696999-1](#) [M8-516RK](#) [M86700006](#) [MA250DMFMX-A](#) [701-2007](#) [701-2307](#) [701-7761-03](#) [70F-110-32-PB](#) [718-N-A](#) [71M-187-20-NBL](#) [71M-250-32-NBL](#) [72F-187-20-NBL](#) [72M-250-32-NBL](#) [7310](#) [73F-250-32](#) [73F-250-32-NBL](#) [73F-250-32-NL](#) [F14-10C](#) [F-1M](#)