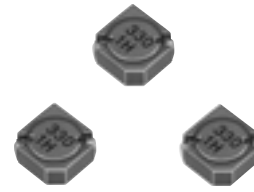


Power Inductors / Wire Wound type

Series: **P**
 Type: **ELLATP**



■ Features

- Magnetic shielded structure
- Low DC resistance and large current capability
- Available on tape and reel for automatic insertion
- The new version of ELLATV serie
- RoHS compliant

■ Recommended Applications

- DC-DC converter circuitry for computer peripherals and amusement equipment.
- Chopper circuit decoupling chokes for DC-DC converter circuitry.

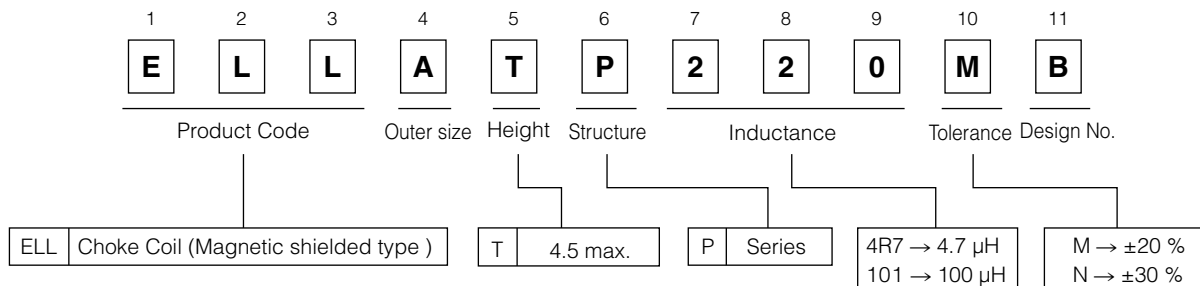
■ Standard Packing Quantity

- 500 pcs./Reel

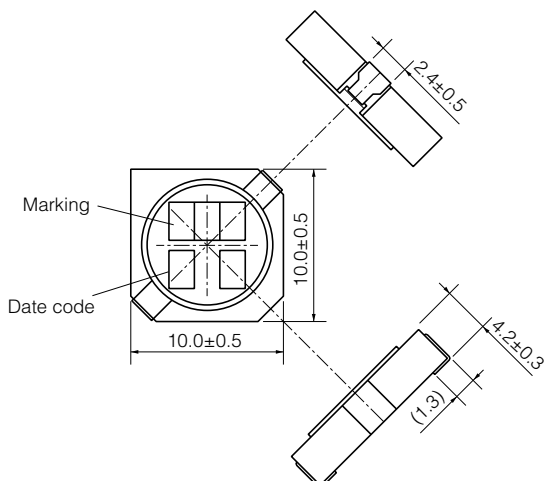
■ Soldering Conditions and Safety Precautions

Please see Data Files

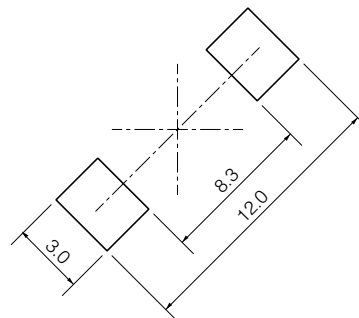
■ Explanation of Part Numbers



■ Dimensions in mm (not to scale)



■ Recommended Land Pattern in mm (not to scale)



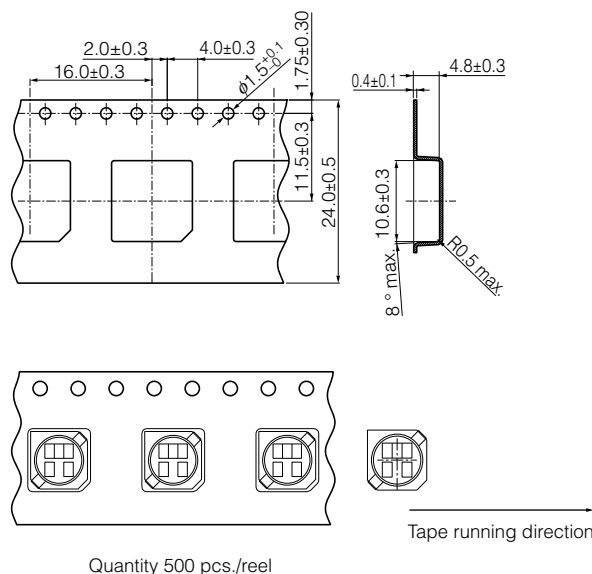
Standard Parts

| Part Number | Inductance (100 kHz) | | R _{DC} (at 20 °C) | | Saturation Rated Current* ¹ (mA max.) | Temperature Rise Current* ² (mA max.) | Marking | | |
|-------------|-------------------------|-------|-------------------------------|-------|--------------------------------------------------------|--------------------------------------------------------|---------|------|-----|
| | (μH) | Tol. | (mΩ) | Tol. | | | | | |
| ELLATP1R0NB | 1.0 | ±30 % | 3.6 | ±30 % | 9000 | 8000 | 1R0 | | |
| ELLATP1R5NB | 1.5 | | 4.4 | | 8000 | 7000 | 1R5 | | |
| ELLATP2R7NB | 2.7 | | 6.4 | | 5500 | 6500 | 2R7 | | |
| ELLATP3R3NB | 3.3 | | 7.5 | | 5350 | 5500 | 3R3 | | |
| ELLATP4R7NB | 4.7 | | 9.1 | | 4500 | 5000 | 4R7 | | |
| ELLATP5R1NB | 5.1 | | 12 | | 4350 | 4500 | 5R1 | | |
| ELLATP6R8NB | 6.8 | | 15 | | 4000 | 4000 | 6R8 | | |
| ELLATP8R2NB | 8.2 | | 18 | | 3700 | 3700 | 8R2 | | |
| ELLATP100MB | 10.0 | | ±20 % | | 22 | ±20 % | 3300 | 3300 | 100 |
| ELLATP120MB | 12.0 | | | | 25 | | 2900 | 2900 | 120 |
| ELLATP150MB | 15.0 | 29 | | 2700 | 2700 | | 150 | | |
| ELLATP220MB | 22.0 | 38 | | 2200 | 2500 | | 220 | | |
| ELLATP270MB | 27.0 | 47 | | 1900 | 2200 | | 270 | | |
| ELLATP330MB | 33.0 | 59 | | 1800 | 2000 | | 330 | | |
| ELLATP390MB | 39.0 | 66 | | 1600 | 1800 | | 390 | | |
| ELLATP470MB | 47.0 | 80 | | 1500 | 1700 | | 470 | | |
| ELLATP680MB | 68.0 | 120 | | 1100 | 1400 | | 680 | | |
| ELLATP820MB | 82.0 | 140 | | 1050 | 1300 | | 820 | | |
| ELLATP101MB | 100.0 | 180 | | 1000 | 1200 | | 101 | | |
| ELLATP121MB | 120.0 | 200 | | 900 | 1000 | | 121 | | |
| ELLATP151MB | 150.0 | 250 | | 780 | 900 | | 151 | | |
| ELLATP181MB | 180.0 | 320 | | 750 | 750 | | 181 | | |
| ELLATP221MB | 220.0 | 360 | | 700 | 700 | | 221 | | |
| ELLATP331MB | 330.0 | 550 | | 550 | 600 | | 331 | | |
| ELLATP471MB | 470.0 | 780 | | 470 | 500 | | 471 | | |
| ELLATP681MB | 680.0 | 1150 | | 380 | 450 | | 681 | | |
| ELLATP102MB | 1000.0 | 1700 | | 310 | 370 | | 102 | | |

*1 Saturation Rated Current : This DC current which causes a 30 % inductance reduction from its nominal value.

*2 Temperature Rise Current : This indicates the value of current when temperature rise dt/t= 40 °C (at 20 °C).

Embossed Carrier Tape Dimensions in mm (not to scale)



Design and specifications are each subject to change without notice. Ask factory for the current technical specifications before purchase and/or use. Should a safety concern arise regarding this product, please be sure to contact us immediately.

X-ON Electronics

Largest Supplier of Electrical and Electronic Components

Click to view similar products for [panasonic](#) manufacturer:

Other Similar products are found below :

[ECE-A1HKAR47](#) [ELC-09D151F](#) [HC2-H-DC48V-F](#) [HL2-HP-AC120V-F](#) [HL2-H-DC12V-F](#) [HL2-HP-DC12V-F](#) [HL2-HP-DC6V-F](#) [HL2-HP-DC24V-F](#) [HL2-H-DC110V-F](#) [HC4-H-DC24V](#) [HL2-HTM-DC24V-F](#) [HL2-HTM-AC24V-F](#) [HC4-H-AC24V](#) [HC4-H-AC120V](#) [HC4-H-DC12V](#) [AZH2031](#) [RP-SDMF64DA1](#) [EVM-F6SA00B55](#) [RP-SMLE08DA1](#) [ERZ-V20R391](#) [ELL-ATV681M](#) [LC-R121R3P](#) [ERZ-V05V680CB](#) [LT4H-DC24V](#) [LT4HL8-AC24V](#) [LT4HW-AC24V](#) [LT4HWT8-AC240V](#) [LT4HWT-AC240VS](#) [CY-122A-P](#) [ETQ-P5M470YFM](#) [EVAL_PAN1555](#) [EVQ-PAE04M](#) [EX-14B](#) [EX-22B-PN](#) [EX-31A-C5](#) [EXB-24N121JX](#) [EX-F72-PN](#) [EX-L211](#) [EYG-A121803V](#) [FCR-M50-AC208V](#) [FC-SFBH-20](#) [FC-SFBH-24](#) [FD-F8Y](#) [MHMA102A1C](#) [MHMD022S1S](#) [MHMD041S1S](#) [MHMD042G1T](#) [MHMD082G1T](#) [FD-S9](#) [FP0-LDR](#)