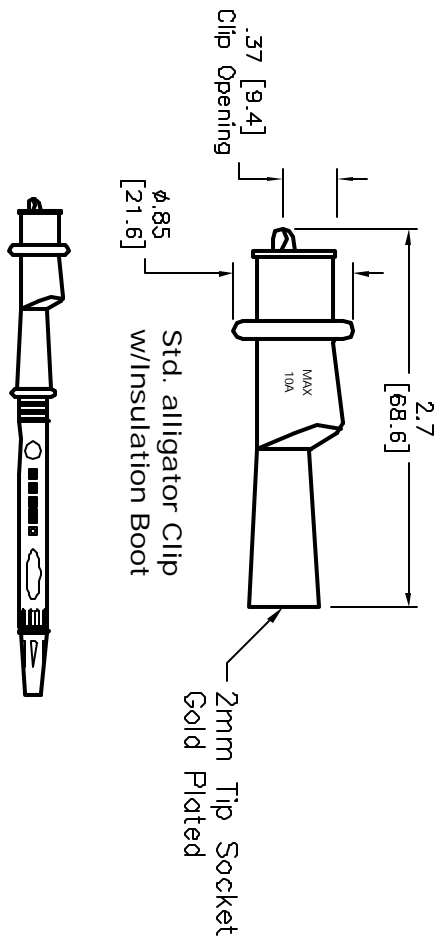
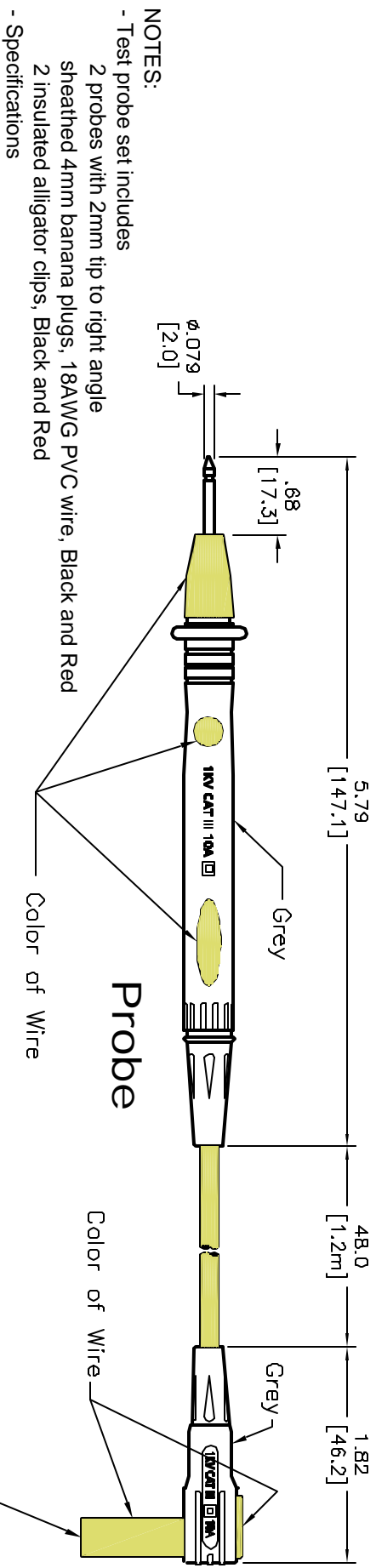


ALL RIGHTS RESERVED. NO PORTION OF THIS PUBLICATION, WHETHER IN WHOLE OR IN PART CAN BE REPRODUCED WITHOUT THE EXPRESS WRITTEN CONSENT OF SPC TECHNOLOGY.

SPC-F006.DWG

REVISIONS			DOC. NO. SPC-F006	Effective 7/8/02		DCP No. 1308	
DCP #	REV	DESCRIPTION	DRAWN	DATE	CHECK'D	DATE	APPR'D
1488	A	RELEASED	JWM	1/17/03	HQ	1/23/03	DJC
2035	B	Dimension Correction	JN	4/1/09	JN	4/1/09	JN



Probe and alligator clip assembled

- NOTES:**
- Test probe set includes
    - 2 probes with 2mm tip to right angle
    - sheathed 4mm banana plugs, 18AWG PVC wire, Black and Red
    - 2 insulated alligator clips, Black and Red
  - Specifications
    - Probe:
      - Wire: 18AWG Stranded copper, PVC (-20°C ~ 80°C)
      - 0.144 ±0.008 [3.6 ±0.2] O.D.
      - Probe and Plug Bodies: Flexible PVC (Grey) over hard PVC core (color matches wire), UL94V-0
      - Tip: Brass, nickel plated
      - Plug Contact: 4mm, Lead-phosphor bronze
      - Plug body: Brass, nickel plated
    - Clip:
      - Body: Brass, nickel plated
      - Contact: 2mm socket, phosphor bronze, gold plated
      - Boot: Flexible PVC (color matches wire)
  - Rating:
    - IEC61010-2031 at 1000V CAT III P2
    - Current: 10A Max.
    - Temperature: -25°C ~ 80°C

**DISCLAIMER:**  
 ALL STATEMENTS AND TECHNICAL INFORMATION CONTAINED HEREIN ARE BASED UPON INFORMATION AND/OR TESTS WE BELIEVE TO BE ACCURATE AND RELIABLE. SINCE CONDITIONS OF USE ARE BEYOND OUR CONTROL, THE USER SHALL DETERMINE THE SUITABILITY OF THE PRODUCT FOR THE INTENDED USE AND ASSUME ALL RISK AND LIABILITY WHATSOEVER IN CONNECTION THEREWITH.

TOLERANCES:		DRAWING TITLE:		SCALE:		SHEET:	
UNLESS OTHERWISE SPECIFIED, DIMENSIONS ARE FOR REFERENCE PURPOSES ONLY.		DMM Probe Set		NTS		1 OF 1	
DRAWN BY:	DATE:	CHECKED BY:	DATE:	SIZE:	DWG. NO.:	ELECTRONIC FILE:	REV:
Jeff McVicker	1/17/03	Hiahm Odish	1/23/03	A	76-108A	09H0918.dwg	B
APPROVED BY:	DATE:						
Daniel Carey	1/23/03						

## **X-ON Electronics**

Largest Supplier of Electrical and Electronic Components

*Click to view similar products for [tenma](#) manufacturer:*

Other Similar products are found below :

[21-10164](#) [21-10158](#) [BC0024434](#) [72-7712](#) [76-009](#) [76-081](#) [CBB019217](#) [CBB018722](#) [72-9170](#) [72-13668](#) [72-13686](#) [72-13688](#) [72-13736](#) [72-13742](#) [72-13818](#) [72-13822](#) [72-13824](#) [72-13836](#) [72-13856](#) [72-13858](#) [72-13872](#) [72-13874](#) [72-13908](#) [72-13950](#) [72-13986](#) [72-14060](#) [72-14302](#) [72-3099](#) [76-1448](#) [76-1556](#) [76-019](#) [76-024](#) [76-1568](#) [21-670](#) [72-14400](#) [72-13762](#) [72-13826](#) [72-13832](#) [72-13888](#) [72-13942](#) [72-14008](#) [72-14014](#) [72-14048](#) [72-14148](#) [72-14230](#) [72-17175](#) [72-2655](#) [72-7615](#) [76-1446](#) [76-022](#)