

Round Hole Illuminated Rocker, Square Bezel

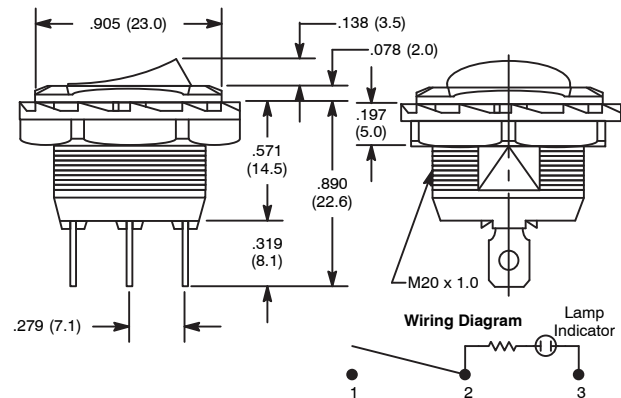


Features

- Circuit Contains Illuminated Neon Indicator
- Single Pole



S93



Specifications

Current Rating: 16A 125VAC, 10A 250VAC
Lamp Voltage: 110V Neon
Insulation Resistance: 100 Megohms (min.) at 500VDC
Dielectric Strength: 1500V RMS (min.)
Temperature Rating: -4° to +149°F (-20° to +65°C)
Electrical Life: 6000 cycles (min.)
Mechanical Life: 100,000 cycles (min.)
Terminal Type: .187" Tab Q.C.
Mounting Hole: .795 (20.2)

NTE Type No.	Circuitry	Action			Actuator		Diag No.
					Material	Color	
54-513	SPST	ON	NONE	OFF	Nylon	Red	S93
54-549	SPST	ON	NONE	OFF	Nylon	Amber	S93
54-550	SPST	ON	NONE	OFF	Nylon	Green	S93

Round Hole Illuminated Rocker, Square Bezel

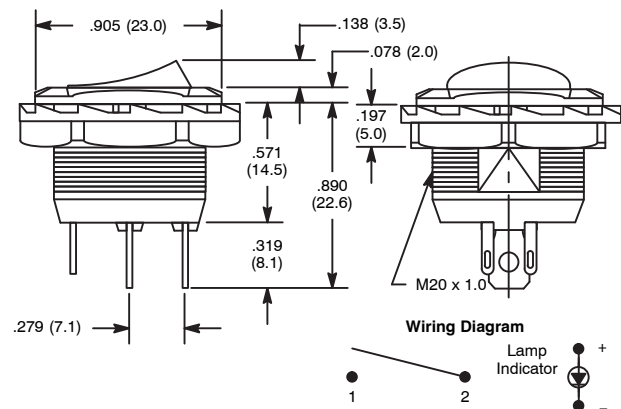


Features

- Independent, Illuminated LED Indicator
- Single Pole



S118



Specifications

Current Rating: 16A 125VAC, 10A 250VAC
Lamp Voltage: 3V LED
Insulation Resistance: 100 Megohms (min.) at 500VDC
Dielectric Strength: 1500V RMS (min.)
Temperature Rating: -4° to +149°F (-20° to +65°C)
Electrical Life: 6000 cycles (min.)
Mechanical Life: 100,000 cycles (min.)
Terminal Type: .187" Tab Q.C.
Mounting Hole: .795 (20.2)

NTE Type No.	Circuitry	Action			Actuator		Diag No.
					Material	LED Color	
54-551	SPST	ON	NONE	OFF	Nylon	Red	S118
54-552	SPST	ON	NONE	OFF	Nylon	Amber	S118
54-553	SPST	ON	NONE	OFF	Nylon	Green	S118
54-554	SPST	ON	NONE	OFF	Nylon	Blue	S118

NOTE: LED is independently lit.

X-ON Electronics

Largest Supplier of Electrical and Electronic Components

Click to view similar products for [nte manufacturer](#):

Other Similar products are found below :

[747](#) [797](#) [868](#) [NEH680M50FE](#) [NEHH1.0M450CB](#) [NTE48](#) [NTE526A](#) [228A](#) [231](#) [954](#) [2023](#) [510](#) [R04-11A30-120](#) [04-SLPE3750A](#) [5615](#) [591](#)
[7056](#) [7448](#) [NEH.10M50AA](#) [NEH2.2M63AA](#) [NEH330M35DD](#) [NEH33M10AA](#) [NEV.22M100AA](#) [NTE528](#) [NTE542](#) [NTE74154](#) [04-](#)
[SCBW25L-BK](#) [04-SCBW32L-BK](#) [04-SCW10C-BK](#) [04-SCBW19L-GR](#) [04-SCW19L-WH](#) [04-SCW19L-OR](#) [04-SCW38L-WH](#) [04-SCBW50L-](#)
[OR](#) [04-SCBW50L-GR](#) [04-SCW10C-GR](#) [04-SCW10C-OR](#) [04-SCBW32L-GR](#) [04-SCBW32L-WH](#) [04-SCBW32L-OR](#) [04-SCBW6C-WH](#) [04-](#)
[SCBW6C-GR](#) [04-SCBW6C-OR](#) [04-SCBW25L-GR](#) [04-SCBW25L-WH](#) [04-ESNF-500L](#) [04-SL.625-R-5](#) [04-SCW5C-WH](#) [04-ESNF-1000L](#)
[04-SL1.00-O](#)