

Standard Dial Indicator 10mm (1mm)

2046S

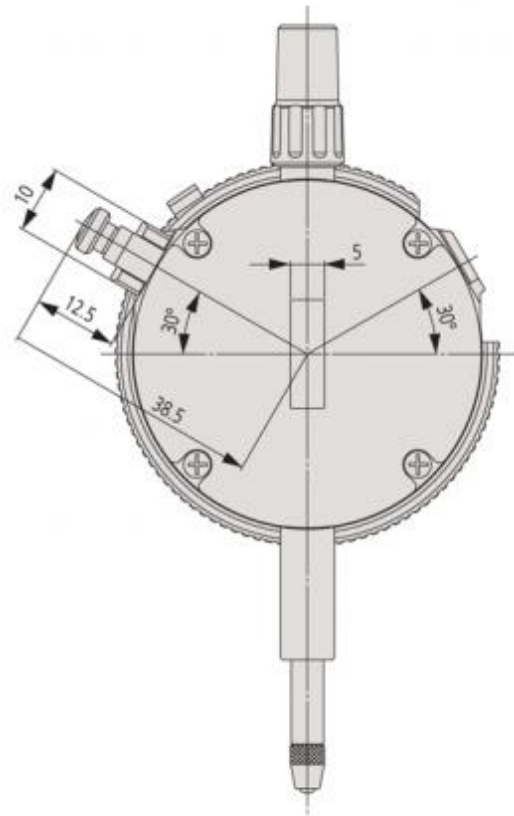
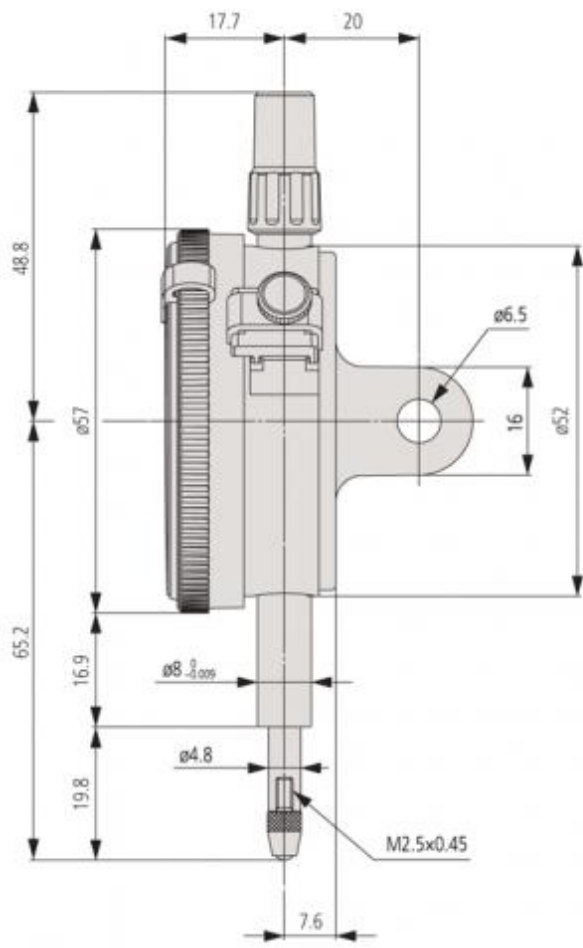
A multi-revolution dial indicator suited to general measurement applications. The dual-reading scale aids measurement in both directions.



Series 2 dial indicators are Mitutoyo's most popular, and have the widest application.

- The outer clamp and lifting lever (optional) can be attached to either the right or left side. These parts can easily be installed and removed without tools.
- Secure adhesion between the bezel and crystal as well as the use of an O-ring prevents water or oil penetration.
- The spindle is made of high strength quench hardened stainless steel which resists arduous use.
- A carbide contact point is used.
- A special alloy is used for the sector gears to provide improved wear resistance.
- Application of a hard coating on the surface of the crystal makes the gauge highly scratch and chemical resistant.

- **No.2046S**
- **Type**Plunger
- **Dial Type**Continuous
- **Range**10mm (1mm)
- **Accuracy** $\pm 13\mu\text{m}$
- **Graduation**0.01mm
- **Repeatability**5 μm
- **Measuring Force**1.4N or less
- **Graduation** $\pm 0-100$
- **Remarks**Lug Back



X-ON Electronics

Largest Supplier of Electrical and Electronic Components

Click to view similar products for [mitutoyo](#) manufacturer:

Other Similar products are found below :

[2109S-10](#) [530-104](#) [103-129](#) [500-171-30](#) [7010SN](#) [148-104](#) [530-118](#) [293-832](#) [959150](#) [2046SB](#) [543-391B](#) [500-184-30](#) [102-301](#) [575-123](#) [148-201](#) [500-196-30](#) [2046S](#) [7301](#)