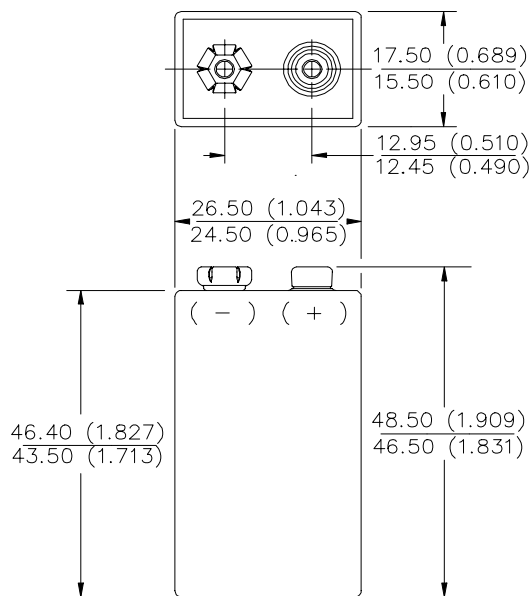


## ENERGIZER NO. NH22

## 9V



Industry Standard Dimensions in mm (inches)



**Description:** Rechargeable 7.2V  
**Chemical System:** Nickel-Metal Hydride (NiMH)  
**Designation:** ANSI-7.2H5  
**Battery Voltage:** 7.2 Volts  
**Average Capacity:** 150 mAh (to 6.0 volts)  
 (Based on 30 mA (0.2C) discharge rate)  
**Average Weight:** 41.0 grams (1.5 oz.)  
**Volume:** 21.7 cubic centimeters (1.3 cubic inch)  
**Jacket:** Plastic

### Internal Resistance

The internal resistance of the cell varies with state of charge, as follows:

Cell Charged	Cell 1/2 Discharged
1000 milliohms	1500 milliohms
(tolerance of ±20% applies to above values)	

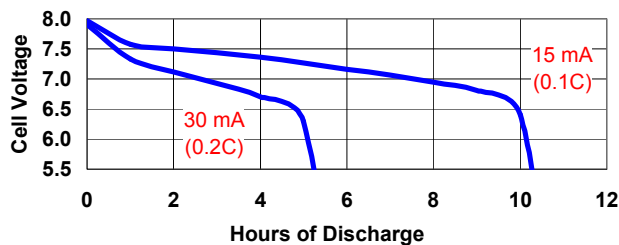
### AC Impedance (No Load)

The impedance of the charged cell varies with frequency, as follows:

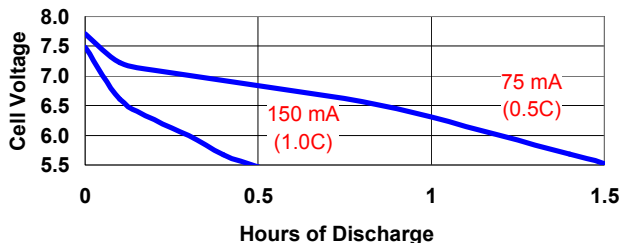
Frequency (Hz)	Impedance (milliohms) (Charged Cell)
1000	950

Note: Above values based on AC current set at 1.0 ampere. Value tolerances are ±20%

TYPICAL DISCHARGE CHARACTERISTICS  
 Average Performance at 21°C (70°F)



TYPICAL DISCHARGE CHARACTERISTICS  
 Average Performance at 21°C (70°F)



### Operating and Storage Temperatures

Ranges of temperature applicable to operation of the NH22 cells are:

- Charge @ 0.1C:** 32°F to 122°F (0°C to 50°C)
- Discharge @ 0.1C:** -4°F to 122°F (-20°C to 50°C)
- Storage:** -40°F to 122°F (-40°C to 50°C)  
 (6 Months Max.)  
 -4°F to 95°F (-20°C to 35°C)  
 (2 Years Max.)

Operating at extreme temperature will significantly affect service and cycle life.

### Important Notice

This data sheet contains information specific to batteries manufactured at the time of its publication.

**Contents herein do not constitute a warranty.**

Copyright © Eveready Battery Co. Inc. - All Rights Reserved

## X-ON Electronics

Largest Supplier of Electrical and Electronic Components

*Click to view similar products for [energizer manufacturer](#):*

Other Similar products are found below :

[1215F2X3](#) [E11A B2](#) [LR43 186](#) [AC13](#) [AC675](#) [3LR12](#) [603298](#) [625302](#) [625304](#) [638006](#) [639830](#) [S9025](#) [7638900426687](#) [7638900414660](#)  
[E92 MAX](#) [E91 MAX](#) [HARD CASE RECHARGEABLE](#) [HARD CASE PRO MULTI USE](#) [HCHD311](#) [S9029](#) [639826](#) [603386](#) [HARD CASE](#)  
[PROFF 4AA](#) [HARDCASE PRO HEADLIGHT](#) [639618](#) [RCLINM2WR](#) [S8865](#) [S8707](#) [S8100](#) [7638900424478](#) [7638900313130](#) [626177](#)  
[E300116200](#) [639838](#) [HARDCASE PRO WORK LIGHT](#) [603305](#) [E300280600](#) [METAL LED 6AA](#) [S8864](#) [HDD32E](#) [MS2AALED](#)  
[ENERGIZERÂ® 2-IN-1 LANTERN HANDHELD](#) [E300124200](#) [E300171700](#) [ENFFL81E](#) [E300112600](#) [633474](#) [HDA32E](#) [7638900421422](#)  
[HARD CASE PRO PIVOT](#)