

Nylon Paddle Toggle

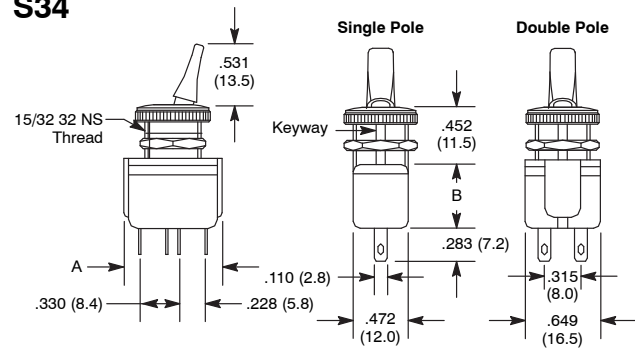


Features

- Quick Connect Terminals
- Insulated Actuator



S34



Device Type	A	B
Single Pole	.748 (19.0)	.551 (14.0)
Double Pole	.826 (21.0)	.590 (15.0)

NTE Type No.	Circuitry	Action			Actuator	Diag No.
54-317	SPDT	ON	NONE	ON	Black Polyamide 6-6	S34
54-318	SPDT	ON	OFF	ON	Black Polyamide 6-6	S34
54-319	SPST	ON	NONE	OFF	Black Polyamide 6-6	S34
54-320	DPST	ON	NONE	OFF	Black Polyamide 6-6	S34
54-321	DPDT	ON	NONE	ON	Black Polyamide 6-6	S34
54-322	DPDT	ON	OFF	ON	Black Polyamide 6-6	S34

Specifications

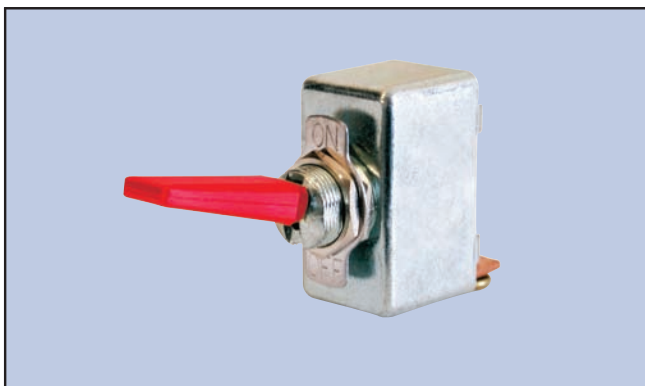
Current Rating: 6A 125VAC, 4A 250VAC
Insulation Resistance: 1000 Megohms (min.) at 500VDC
Dielectric Strength: 2000V RMS (min.) between terminals
Temperature Rating: -4° to +131°F (-20° to +55°C)
Electrical Life: 10,000 cycles (min.)
Terminal Type: Solder Lug/Quick Connect
Mounting Hole: .492 (12.5)

Paddle Handle Toggle

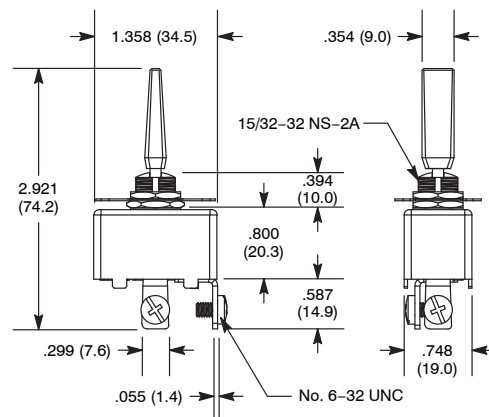


Features

- 50 Amps at 12VDC
- Suitable for Low Voltage, High Amperage Applications
- Screw Terminals



S26



Specifications

Current Rating: 50A 12VDC
Insulation Resistance: 100 Megohms (min.) at 500VDC
Dielectric Strength: 1500V RMS (min.)
Temperature Rating: -4° to +180°F (-20° to +85°C)
Electrical Life: 25,000 cycles
Mechanical Life: 100,000 cycles
Terminal Type: Screw Type
Mounting Hole: .500 (12.7)

NTE Type No.	Circuitry	Action			Actuator		Diag No.
					Material	Color	
54-560	SPST	ON	NONE	OFF	ABS	Black	S26
54-561	SPST	ON	NONE	OFF		Red	S26
54-562	SPST	ON	NONE	OFF	ABS w/Chrome Plating	Chrome	S26

X-ON Electronics

Largest Supplier of Electrical and Electronic Components

Click to view similar products for [nte manufacturer](#):

Other Similar products are found below :

[747](#) [797](#) [868](#) [NEH680M50FE](#) [NEHH1.0M450CB](#) [NTE48](#) [NTE526A](#) [228A](#) [231](#) [954](#) [2023](#) [510](#) [R04-11A30-120](#) [04-SLPE3750A](#) [5615](#) [591](#)
[7056](#) [7448](#) [NEH.10M50AA](#) [NEH2.2M63AA](#) [NEH330M35DD](#) [NEH33M10AA](#) [NEV.22M100AA](#) [NTE528](#) [NTE542](#) [NTE74154](#) [04-](#)
[SCBW25L-BK](#) [04-SCBW32L-BK](#) [04-SCW10C-BK](#) [04-SCBW19L-GR](#) [04-SCW19L-WH](#) [04-SCW19L-OR](#) [04-SCW38L-WH](#) [04-SCBW50L-](#)
[OR](#) [04-SCBW50L-GR](#) [04-SCW10C-GR](#) [04-SCW10C-OR](#) [04-SCBW32L-GR](#) [04-SCBW32L-WH](#) [04-SCBW32L-OR](#) [04-SCBW6C-WH](#) [04-](#)
[SCBW6C-GR](#) [04-SCBW6C-OR](#) [04-SCBW25L-GR](#) [04-SCBW25L-WH](#) [04-ESNF-500L](#) [04-SL.625-R-5](#) [04-SCW5C-WH](#) [04-ESNF-1000L](#)
[04-SL1.00-O](#)