

Product	Contacts: 8, Female panel mount connector, solder
Area	Bayonet NCC Series 770
Article number	09 0774 000 08

Illustration	Scale drawing	Contact Arrangement																											
		<table border="1" style="margin-left: auto; margin-right: auto;"> <thead> <tr> <th></th> <th>X</th> <th>Y</th> </tr> </thead> <tbody> <tr><td>1</td><td>1,62</td><td>-3,90</td></tr> <tr><td>2</td><td>3,90</td><td>-1,62</td></tr> <tr><td>3</td><td>3,90</td><td>1,62</td></tr> <tr><td>4</td><td>1,62</td><td>3,90</td></tr> <tr><td>5</td><td>-1,62</td><td>3,90</td></tr> <tr><td>6</td><td>-3,90</td><td>1,62</td></tr> <tr><td>7</td><td>-3,90</td><td>-1,62</td></tr> <tr><td>8</td><td>-1,62</td><td>-3,90</td></tr> </tbody> </table>		X	Y	1	1,62	-3,90	2	3,90	-1,62	3	3,90	1,62	4	1,62	3,90	5	-1,62	3,90	6	-3,90	1,62	7	-3,90	-1,62	8	-1,62	-3,90
	X	Y																											
1	1,62	-3,90																											
2	3,90	-1,62																											
3	3,90	1,62																											
4	1,62	3,90																											
5	-1,62	3,90																											
6	-3,90	1,62																											
7	-3,90	-1,62																											
8	-1,62	-3,90																											

You can find the item description and assembly instruction on the next page.

Technical data

Common values

Connector Design	Female panel mount connector
Connector locking system	Bayonet
Termination	Solder
Wire gauge (mm)	0.25 mm ²
Wire gauge (AWG)	max. 24
Upper temperature	85 °C
Lower temperature	-25 °C

Electrical values

Rated voltage	175 V
Rated impulse voltage	1750 V
Pollution degree	2
Overvoltage category	II
Material group	II
Rated current (40°C)	2 A
Volume resistivity	≤ 15 mΩ
EMV compliance	-
Degree of protection	IP67 auch ungesteckt
Mechanical operation	> 5000 mating cycles

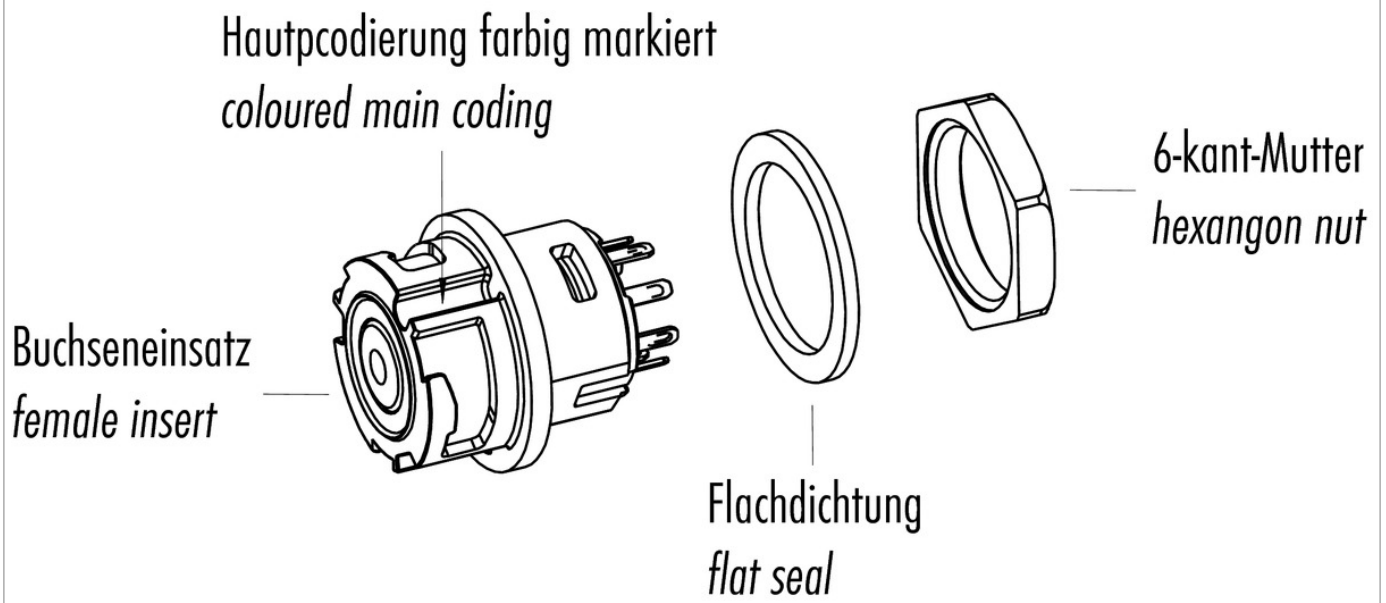
Material

Material of contact	CuSn (Bronze)
Contact plating	Au (Gold)
Material of contact body	PA (UL 94 V-0)
Material of housing	PA (UL 94 HB)

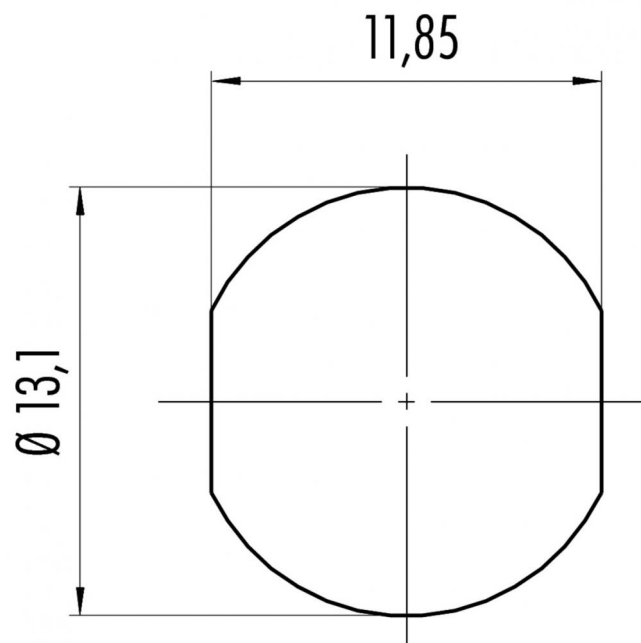
Product **Contacts: 8, Female panel mount connector, solder**

Area **Bayonet NCC Series 770**
Article number **09 0774 000 08**

Item description



Installation instructions / Mounting cutout



X-ON Electronics

Largest Supplier of Electrical and Electronic Components

Click to view similar products for [binder manufacturer](#):

Other Similar products are found below :

[16-8085-001](#) [16-8100-000](#) [16-8090-000](#) [16-8093-000](#) [09 0330 00 12](#) [09 0153 70 08](#) [09 0305 00 03](#) [09 0337 00 16](#) [09 0477 00 07](#) [09 9478 00 07](#) [66-0004-001](#) [99-9125-60-08](#) [99-9106-60-03](#) [99 0612 00 04](#) [99 0079 100 04](#) [79-3108-52-04](#) [79-3110-52-04](#) [66-0003-001](#) [99-3782-200-08](#) [61-0903-139](#) [09 5283 00 03](#) [09-0316-702-05](#) [66-0005-000](#) [02-0055-001](#) [09-5288-00-08](#) [09-0104-300-02](#) [09-0110-25-04](#) [09-0112-782-04](#) [09-0173-300-08](#) [09-0312-290-04](#) [99-4218-300-07](#) [09-3442-92-05](#) [99-0437-186-05](#) [99-0218-210-07](#) [43-1706-000-04](#) [08-2809-000-000](#) [99-9205-050-03](#) [99-0201-00-07](#) [09-0312-09-04](#) [99-0610-02-04](#) [09-0319-80-05](#) [99-9206-050-03](#) [09-0073-20-02](#) [09-0081-20-04](#) [99-0143-12-06](#) [99-2009-210-04](#) [09-4912-080-04](#) [99-5681-15-07](#) [09-0062-00-05](#) [09-0053-80-14](#)