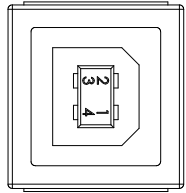


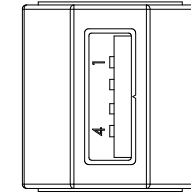
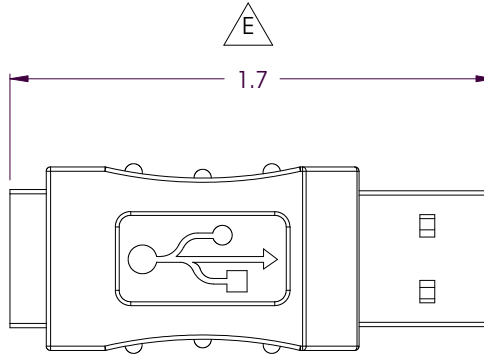
THE INFORMATION CONTAINED IN THIS DRAWING IS THE SOLE PROPERTY OF L-COM, INC. ANY REPRODUCTION IN PART OR WHOLE WITHOUT THE WRITTEN PERMISSION OF L-COM, INC. IS PROHIBITED.

REVISIONS			
REV	DESCRIPTION	DATE	APPROVED
B	REVISED ADDED LOGO (ECN# 1291)	12/20/02	MCCORMICK
C	ECN#1605 ADDED COMPONENT SPECIFICATION TABLE	01/20/03	MCCORMICK
D	ECN# 1962 REVISED TOLERANCE & MODIFIED COMPONENT SPECIFICATION	12/15/03	MCCORMICK
E	ECN# 2294 REVISED TOLERANCE TO ONE PLACE	01/18/06	MCCORMICK

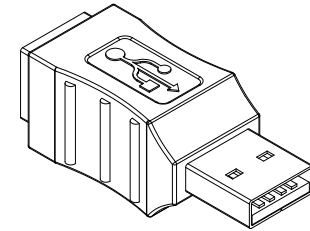
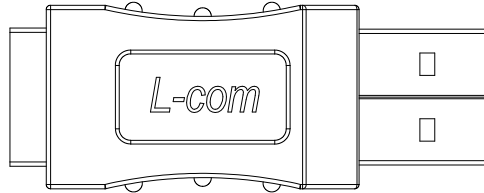
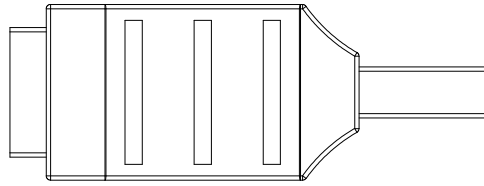


SERIES "B" USB JACK
J1

TABLE	
J1	P1
PIN 1	PIN 1
PIN 2	PIN 2
PIN 3	PIN 3
PIN 4	PIN 4
GRD	GRD



SERIES "A" USB PLUG
P1



Component Specifications	
Material	
Overmold	PVC
Contacts	Brass
Insulator	PBT, UL 94V-0
Finish	
Shell	Nickel Silver
Contacts	Gold over Nickel
Electrical	
Current Rating	3 Amp
Dielectric Strength	1000V AC for one minute
Insulator Resistance	1000Q min at 500V DC
USB 2.0 Compliant	
CS-155	

UNLESS OTHERWISE SPECIFIED,
DIMENSIONS ARE IN INCHES
TOLERANCES ARE:
X ±.1
XX ±.05
XXX ±.005
CABLE LENGTH TOLERANCE
<300" ±5% >300" ±2%

APPROVALS	DATE
DRAWN BY C.MCCORMICK	12/20/2002
CHECKED BY D.PARHAM	12/20/2002
APPROVED BY R.CARRICK	12/20/2002

CONFIGURATION DETAILS OF
UNDIMENSIONED FEATURES
MAY VARY

		45 BEECHWOOD DRIVE NORTH ANDOVER, MA 01845	
PRODUCT DESCRIPTION SERIES "B" JACK TO SERIES "A" PLUG ADAPTOR			
DRAWING TITLE <h2 style="text-align: center;">OUTLINE DRAWING</h2>			
SIZE A	FSCM NO. 43321	DWG. NO. UAD010MF-OD1	REV. E
SCALE: NONE		CAD FILE: UAD010MF-OD1.SLDDRW	SHEET 1 OF 1

X-ON Electronics

Largest Supplier of Electrical and Electronic Components

Click to view similar products for [HDMI, Displayport & DVI Connectors](#) category:

Click to view products by [L-Com](#) manufacturer:

Other Similar products are found below :

[1775247-3](#) [2-1932649-5](#) [30-1231](#) [30-528](#) [2069485-1](#) [30-504](#) [30-519](#) [30-542](#) [47648-2000](#) [2002-400](#) [1453G1](#) [769-103/021-000](#) [1932649-1](#)
[233-368NFG6-17NH](#) [G45A19071083HR](#) [233-360NF00-17NH](#) [CP30200GM3B](#) [HYC02-DVI29-371](#) [P136-06NHDV4KBP](#) [CP30116](#)
[LTWDID-29PFFS-SL8001](#) [46765-1301](#) [1211-0010-201-001](#) [47271-1004](#) [32-1121-BU](#) [DS1117-BN0-TME-002](#) [MHDR2A11004BP](#)
[EHHDMI2PKG](#) [1903015-3](#) [DS1114-BN0](#) [WPUSBAF](#) [500254-1931](#) [HDMR-19-01-F-SM](#) [47151-1071](#) [1747981-1](#) [0480372000](#) [0482580001](#)
[D121073-19](#) [472710111](#) [HDMI-S-RA6-SMT-MF-15](#) [P142-000-UP](#) [P134-003](#) [P120-08N](#) [KDMIX-FS1V-WS-B](#) [P142-000-UD](#) [10029449-](#)
[101RLF](#) [P132-000](#) [P130-000](#) [P142-06N-MICRO](#) [P142-000-MINI](#)