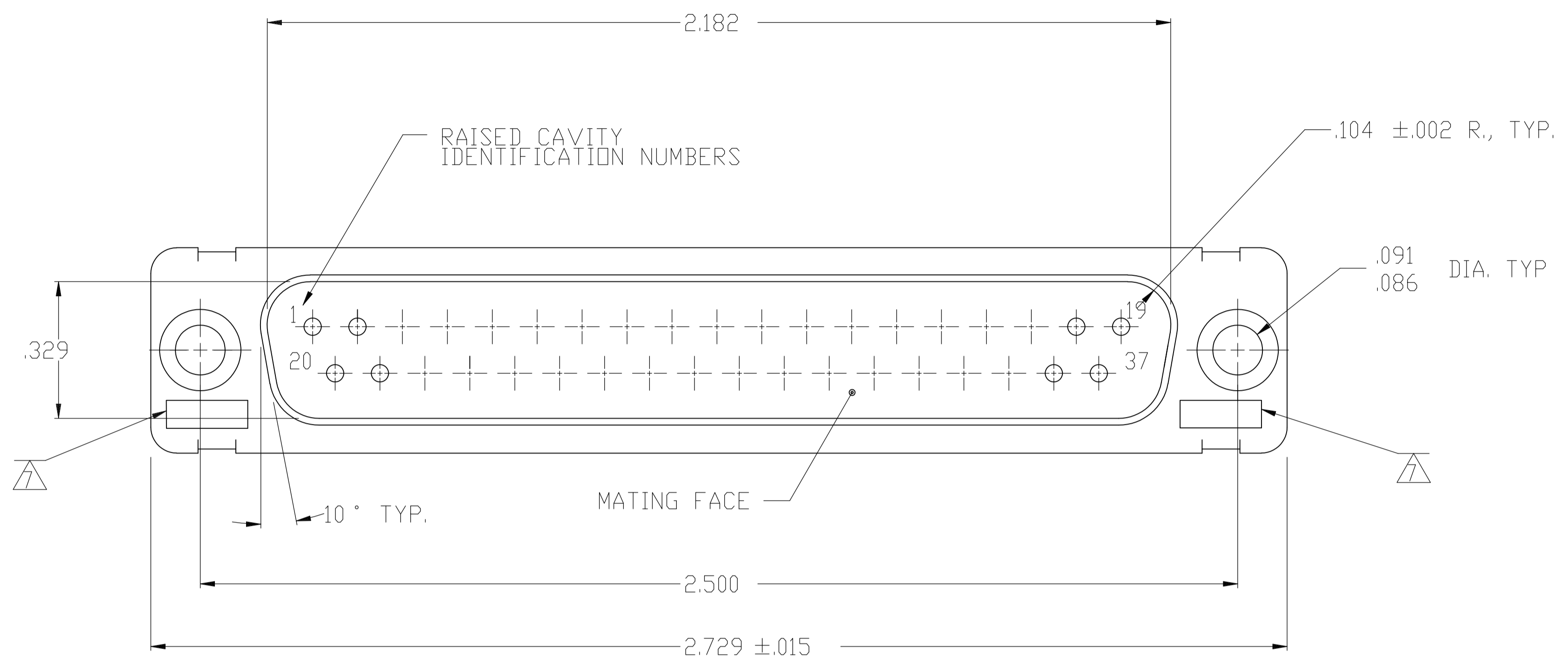
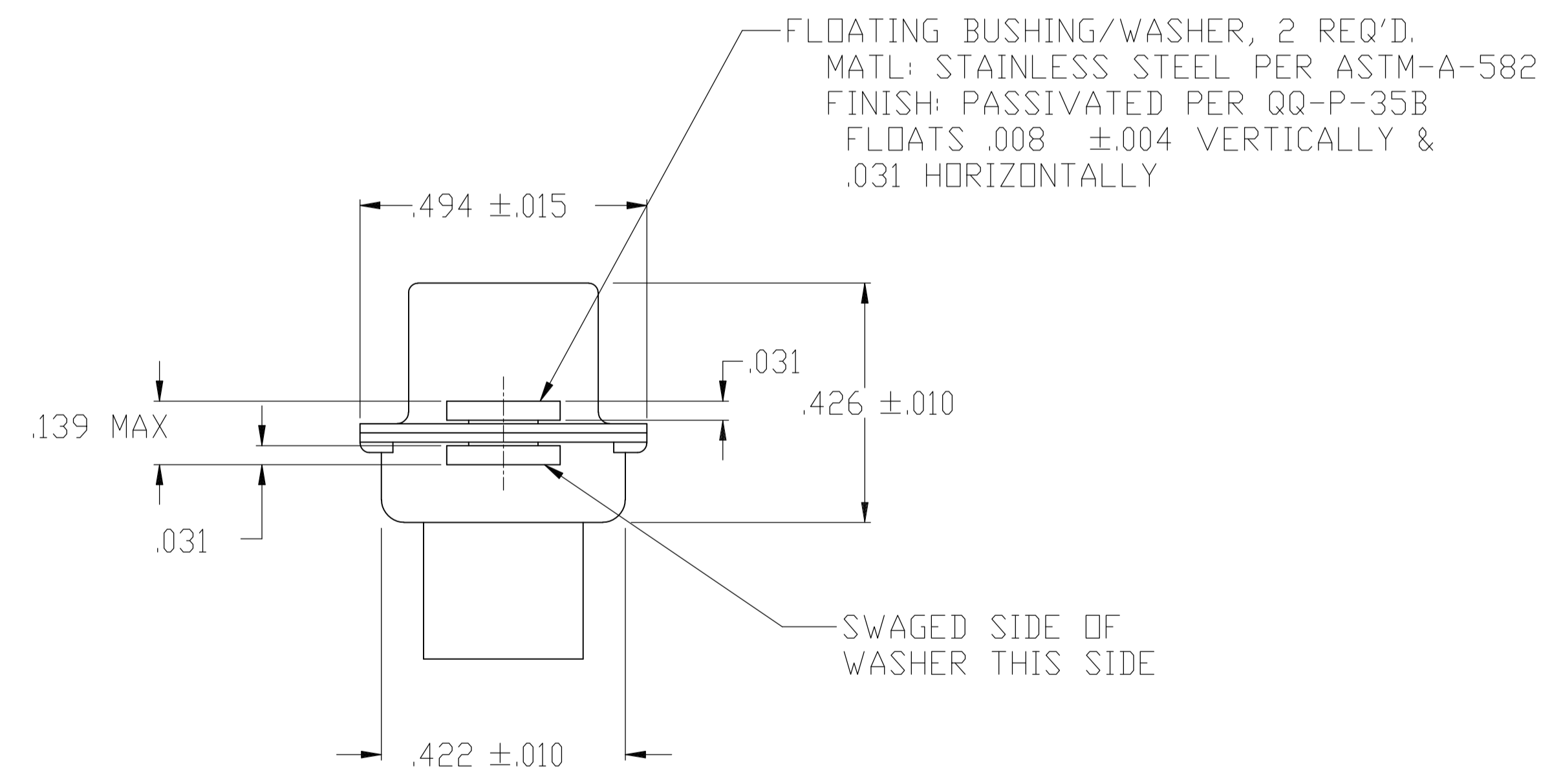
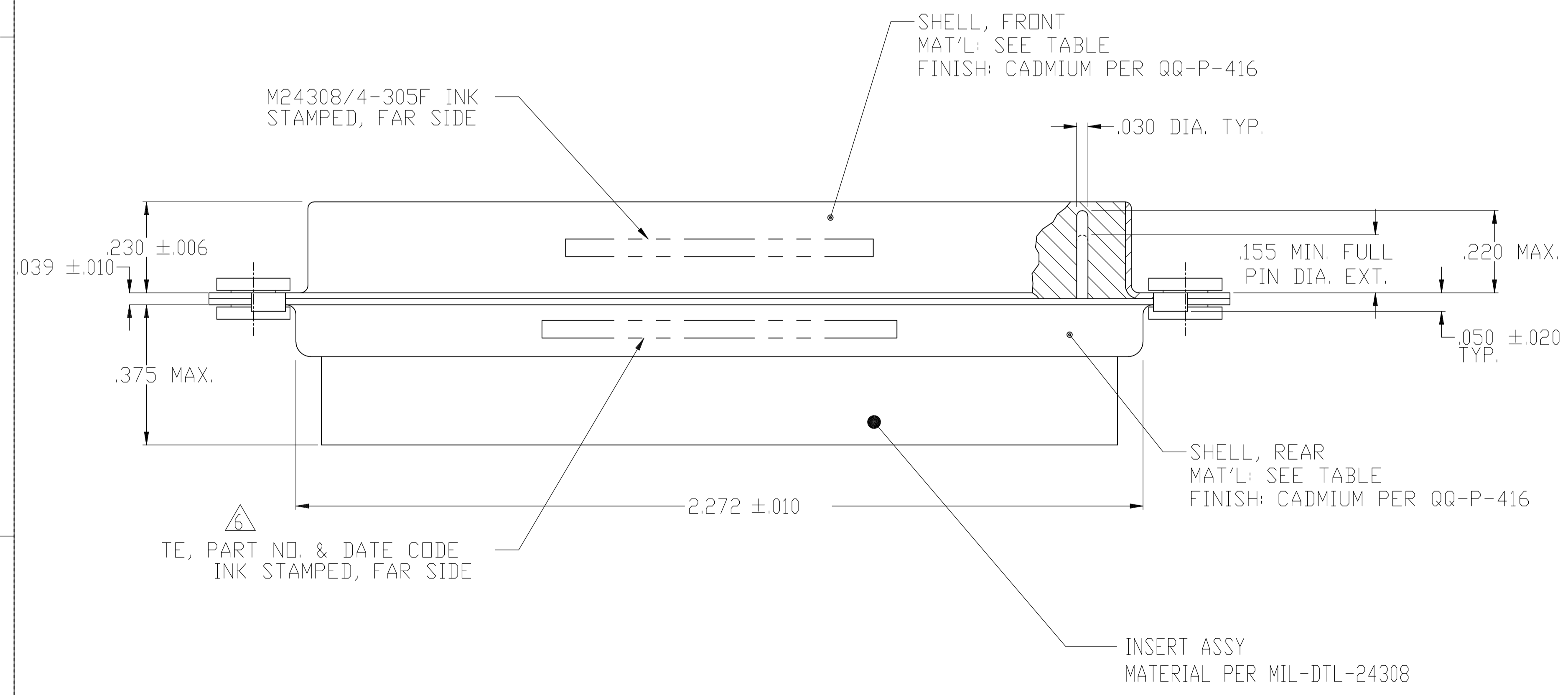


LOC		DIST		REVISIONS			
P	LTR	DESCRIPTION	DATE	DN	APVD		
N	REV PER	ECO-15-016062	10NOV15	KG	CD		



1. THIS PLUG IS DESIGNED TO CONFORM TO THE LATEST ISSUE OF MIL-C-24308
2. MAX WIRE INSUL. TO BE USED WITH THIS PLUG IS .068 DIA.
3. STAINLESS STEEL RETENTION CLIPS ARE INCLUDED IN INSERTS.
4. PACKAGE STAMPED M 24308/4-327F.
5. THIS PLUG WILL ACCEPT SIZE 20 PIN CONTACT M24308/11 OR AMP # 205089
6. TE PART NO. STAMPED ON CONNECTOR REPRESENTS KIT NUMBER WITH CONTACTS
7. UL/CSA DESIGNATION STAMPED IN THIS AREA.



OBSOLETE	BRASS	205414-2
	STEEL PER ASTM-A-109	205414-1
	SHELL MAT'L	TE PART NO

THIS DRAWING IS A CONTROLLED DOCUMENT.

DIMENSIONS: INCHES	TOLERANCES UNLESS OTHERWISE SPECIFIED:	0 PLC ± -	1 PLC ± -	2 PLC ± -	3 PLC ± .005	4 PLC ± .030'	ANGLES ± -
--------------------	--	-----------	-----------	-----------	--------------	---------------	------------

APPROVED: D.J.M. 12-OCT-87

NAME: AMPLE

PRODUCT SPEC: PLUG FOR PIN CONTACTS HI-DENSITY HDM-20 CONNECTOR SIZE 4 (37 POSN) SERIES 109 WITH FLOAT BUSHINGS

APPLICATION SPEC: -

SIZE: A1

WEIGHT: -

CAGE CODE: 00779

DRAWING NO: 205414

RESTRICTED TO: -

CUSTOMER DRAWING

SCALE: 1:1

SHEET: 1 OF 1

REV: N

X-ON Electronics

Largest Supplier of Electrical and Electronic Components

Click to view similar products for [D-Sub MIL Spec Connectors](#) category:

Click to view products by [TE Connectivity](#) manufacturer:

Other Similar products are found below :

[M24308/4-13Z](#) [M8351307-B](#) [D38999/20FJ43HN](#) [D38999/24WG11PB-LC](#) [D38999/24WG41HN](#) [MDM-15PH041P](#) [MDM-21PH041P](#) [MDM-21SH003B-K139](#) [850-056-0812](#) [1218697-4](#) [DBMM25S](#) [MS27467T21F41S](#) [17D25HV](#) [1996840-1](#) [243082-15](#) [1663962-1](#) [1757682-1](#) [17D-E51218-1](#) [17SDA15S](#) [1883533-1](#) [1883886-1](#) [1883889-1](#) [192900-0377](#) [308-CP6P0441-024H](#) [M24308/2-3Z](#) [M24308/4-3Z](#) [M24308/4-4F](#) [M24308/4-4Z](#) [M24308/8-347](#) [M83513/03-E09C](#) [M83723/75W2212N L/C](#) [D38999/24FJ29PN-LC](#) [D38999/24WG11SB-LC](#) [MDM-21PH046P](#) [5-1218949-1](#) [550-031NF1R6K](#) [550E001NF1R3J0L](#) [550T001NF1R6K0L](#) [557T283NF5B08](#) [C115368-1612B](#) [C115370-1717B](#) [DC121073157](#) [443869-3](#) [443869-4](#) [443869-5](#) [550S004NF1R1B0F03](#) [550-031NF1R2E](#) [550E003M2R9J0F04](#) [550E003M3R9J0F05](#) [550E024M104R9J0](#)