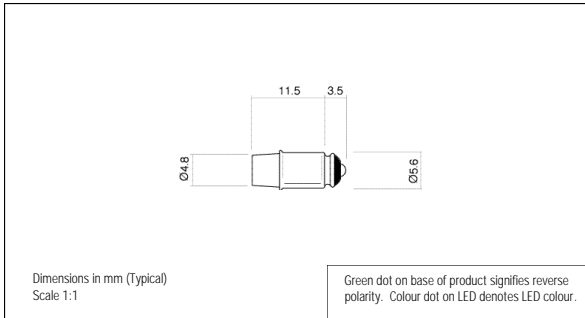




FILAMENT REPLACEMENT LEDs - T1 3/4



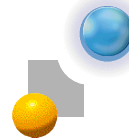
- Direct replacement for T1 3/4 MG S5.7s
- Reverse polarity options
- Centre contact, anode as standard



205 SERIES

MLQ = 20

LEDs



Ordering Information & Typical Technical Characteristics (Ta = 25°C)

Mean Time Between Failure = 100,000 Hours. Luminous intensity figures refer to the unmodified discrete LED.

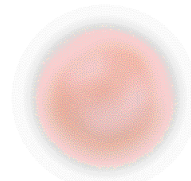
PART NUMBER	COLOUR	LENS	VOLTAGE DC Vopr	CURRENT DC Iopr	LUMINOUS INTENSITY Iv@20mA	WAVE LENGTH p	VIEWING ANGLE	OPERATING TEMP Topr	STORAGE TEMP Tstg
HIGH INTENSITY									
205-501-04-38	Red	Water Clear	1.9*	20	2750	660	Wide	-40 ~ +80	-40 ~ +80
205-521-04-38	Yellow		2.0*	20	4500	590			
205-532-04-38	Green		3.4*	20	6000	525			
205-930-04-38	Blue		3.4*	20	2000	470			
205-997-04-38	White		3.4*	20	3000	•			
205-501-20-38	Red		5/6	16	2750	660			
205-521-20-38	Yellow		5/6	15	4500	590			
205-532-20-38	Green		5/6	14	6000	525			
205-930-20-38	Blue		5/6	14	2000	470			
205-997-20-38	White		5/6	14	3000	•			
205-501-22-38	Red		24	20	2750	660			
205-521-22-38	Yellow		24	20	4500	590			
205-532-22-38	Green		24	20	6000	525			
205-930-22-38	Blue		24	20	2000	470			
205-997-22-38	White		24	20	3000	*			
UNITS				Vdc	mA	mcd			

* = Voltage DC for 20mA product is Vf@20mA, not Vopr

• = Typical emission colour: x=0.31, y=0.32. Colour temperature 8000K. Intensities (Iv) and colour shades of white (x,y co-ordinates) may vary between LEDs within a batch.

Please note - This product is also available at 12, 28 and 48Vdc. Please contact our Sales department for further details.

FOR NEW PRODUCTS SEE OUR WEBSITE



Telephone +44 (0)1229 582430 • Fax: +44 (0)1229 585155 • email: sales@marl.co.uk • website: www.marl.co.uk • website: www.marl-leds.com

X-ON Electronics

Largest Supplier of Electrical and Electronic Components

Click to view similar products for [marl](#) manufacturer:

Other Similar products are found below :

[512-532-22](#) [512-532-23](#) [514-114-76](#) [661-508-64-40](#) [651-102-76](#) [671-066-75](#) [352-509-04](#) [352-505-04](#) [205-997-22-38](#) [524-521-21](#) [677-521-23-Y](#) [512-521-21](#) [671-064-75](#) [677-930-21-19](#) [209-521-23-38](#) [520-325-23](#) [651-114-21](#) [690-997-66](#) [508-930-22](#) [671-062-75](#) [525-095-21-50](#) [512-501-75](#) [531-532-63](#) [524-501-21](#) [514-111-75](#) [508-521-21](#) [520-324-23](#) [215-532-23-38](#) [671-063-23](#) [671-066-23](#) [215-532-76-38](#) [604-998-23](#) [662-303-04](#) [690-521-66](#) [671-064-23](#) [215-521-23-38](#) [677-501-22-R](#) [677-532-21-19](#) [698-532-63](#) [570-320-04-40](#) [514-105-22](#) [512-501-22](#) [570-314-04-40](#) [528-532-22](#) [528-521-22](#) [512-997-22](#) [660-320-64-40](#) [528-501-21](#) [671-290-22](#) [572-314-04](#)